

General purpose crocodile clip, manufactured from nickel plated steel. This product has been engineered to allow fine wires to be held securely by an undercut turned brass clamping screw. There is a rear entry that will accept 4mm plugs.

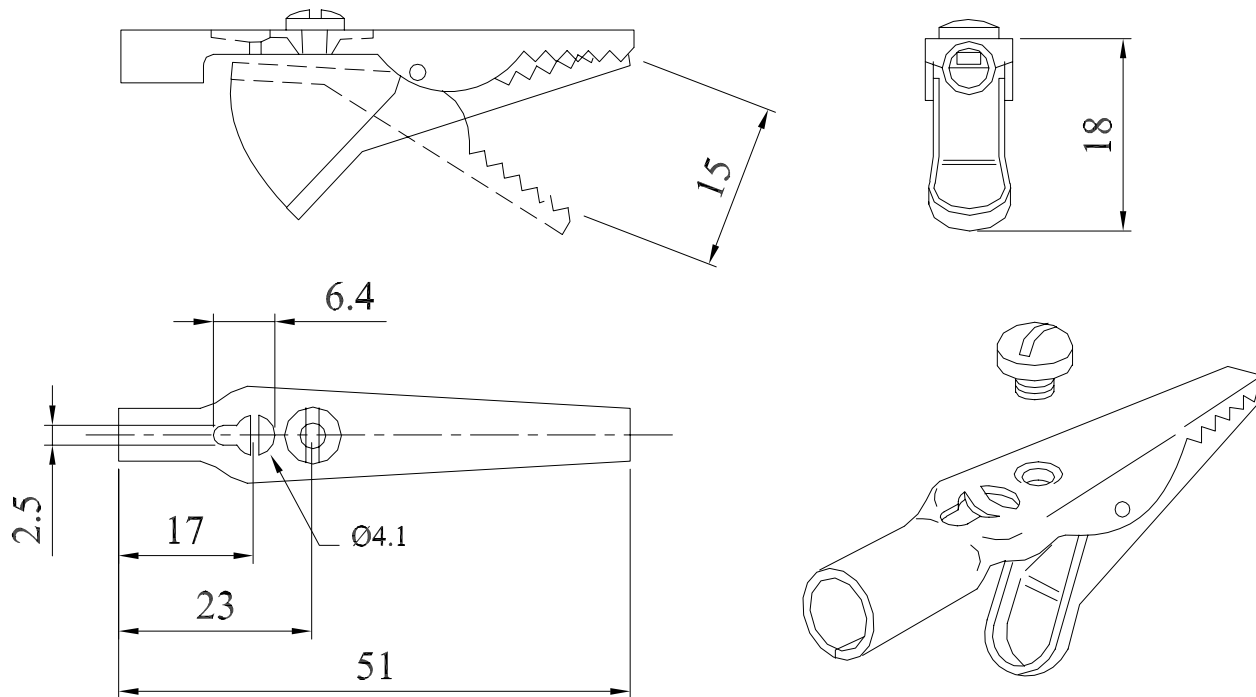
MATERIAL
CLIP

Mild Steel,
nickel plated
Brass,
BS 2874 CZ121

SCREW

Current Rating 5 Amps

Dimensions



CONVERTED FROM PS0286 ISS3 (04.04.96) IN JAN 2003

DrgNo 303-0000

TITLE CROCODILE CLIP

ALL DIMENSIONS IN MM
ANGLES IN DECIMAL DEGREES

DELTRON Components

ISSUE 1

GENERAL SPECIFICATION
FOR 303-0000

CUSTOMER

FILTER REF

Aprvd Date 10/02/03

Aprvd By MC

Drwn by BFS

Scale: NTS

Sheet 1 / 1