

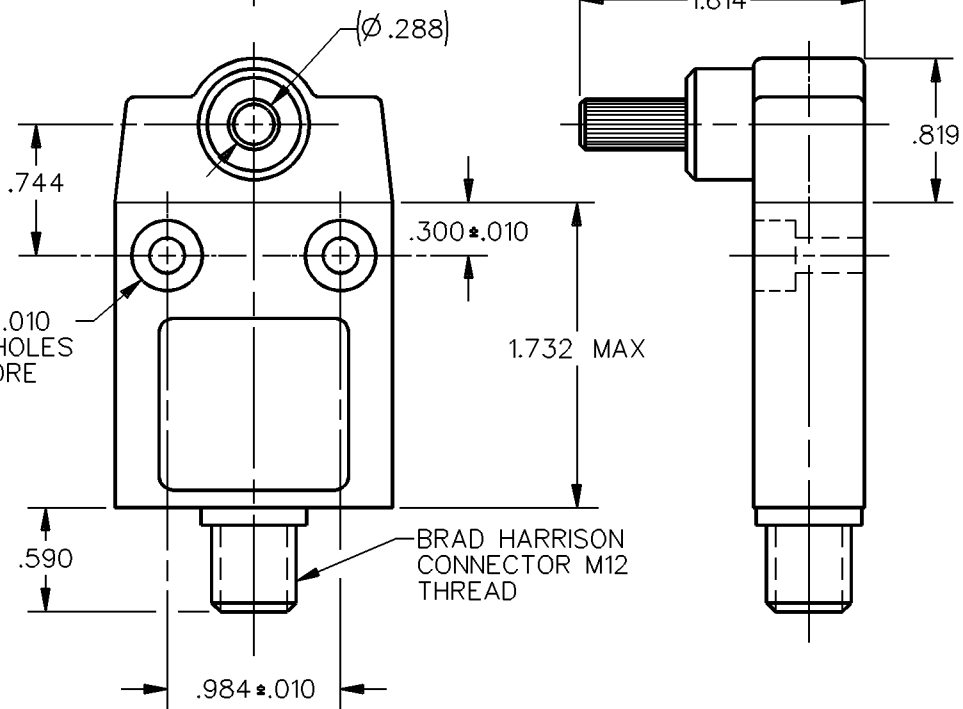
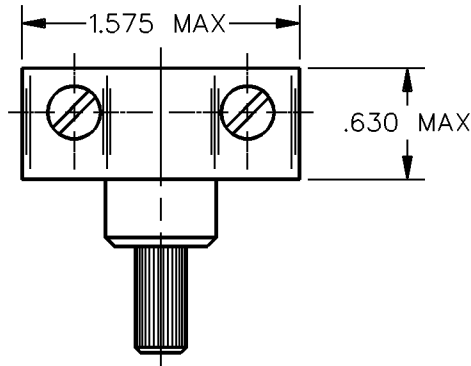
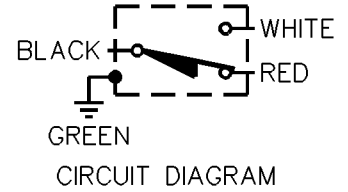
MICRO SWITCH
a Honeywell Division

FED. MFG. CODE 91929

MINIATURE PRECISION
LIMIT SWITCH

CATALOG LISTING

914CE16-Q

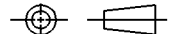


- NOTES
1 - ZINC HOUSING FINISHED WITH GRAY PAINT
2 - SWITCH WILL ACTUATE IN BOTH DIRECTIONS

ANSI Y14.5M-1982 APPLIES

THIS DRAWING COVERS A PROPRIETARY ITEM AND IS THE PROPERTY OF MICRO SWITCH, A DIVISION OF HONEYWELL. THIS DRAWING IS NOT TO BE COPIED OR USED WITHOUT THE APPROVAL OF MICRO SWITCH.

THIRD ANGLE PROJECTION



CHARACTERISTICS

OPERATING FORCE — — — 3 IN. LB MAX
RELEASE FORCE — — — 6 IN. OZ MIN
PRETRAVEL — — — — 30° MAX
DIFFERENTIAL TRAVEL — — — 3° MAX
OVERTRAVEL — — — — 40° MIN

ELECTRICAL DATA

CONTACT ARRANGEMENT
S P D T

5A - 250 VAC
1/10HP - 125 OR 250 VAC



SCALE FULL DO NOT SCALE PRINT

UNLESS OTHERWISE SPECIFIED TOLERANCES ARE

ONE PLACE (.0) ± .030

TWO PLACE (.00) ± .015

THREE PLACE (.000) ± .005

ANGLES ±

WEIGHT

914CE16-Q

M

DRAWING NUMBER

1

ISSUE

REPLACES

RELEASE NO. CO-69061

CHECK

REVISIONS

CHECK

DDM/CAD

DRAWN

CHECK

S A V 29 OCT 91