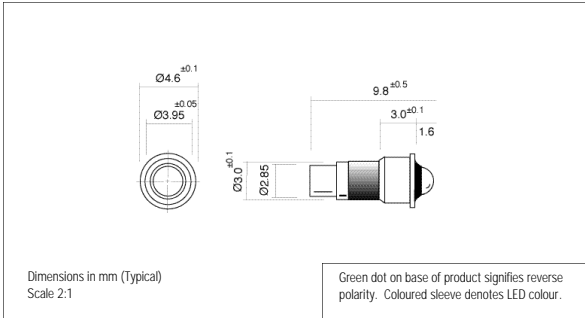


**FILAMENT REPLACEMENT LEDs - T1**



- Direct replacement for French Style T1 MF SX3s
- Reverse polarity available
- Centre contact, anode as standard



202 SERIES

MLQ = 20



Ordering Information & Typical Technical Characteristics (Ta = 25°C)

Mean Time Between Failure = 100,000 Hours. Luminous intensity figures refer to the unmodified discrete LED.

PART NUMBER	COLOUR	LENS	VOLTAGE DC Vopr	CURRENT DC Iopr	LUMINOUS INTENSITY Iv@20mA	WAVE LENGTH p	VIEWING ANGLE	OPERATING TEMP Topr	STORAGE TEMP Tstg
<b>HIGH INTENSITY</b>									
202-301-04-38	Red	Water Clear	1.9*	20	850	660	Wide	-40 ~ +80	-40 ~ +80
202-325-04-38	Yellow		2.1*	20	4400	590			
202-324-04-38	Green		3.4*	20	3400	525			
202-934-04-38	Blue		3.4*	20	1000	470			
202-998-04-38	White		3.4*	20	2000	•			
202-301-20-38	Red		5/6	18	850	660			
202-325-20-38	Yellow		5/6	19	4400	590			
202-324-20-38	Green		5/6	14	3400	525			
202-934-20-38	Blue		5/6	14	1000	470			
202-998-20-38	White		5/6	14	2000	•			
202-301-21-38	Red		12	20	850	660			
202-325-21-38	Yellow		12	20	4400	590			
202-324-21-38	Green		12	19	3400	525			
202-934-21-38	Blue		12	19	1000	470			
202-998-21-38	White		12	19	2000	•			
<b>UNITS</b>				<b>Vdc</b>	<b>mA</b>	<b>mcd</b>			

\* = Please note - Voltage DC for 20mA product is Vf@20mA, not Vopr

• = Please note - Typical emission colour: x=0.31, y=0.32. Colour temperature 8000K. Intensities (Iv) and colour shades of white (x,y co-ordinates) may vary between LEDs within a batch.

Please note - This product is also available at 24, 28 and 48Vdc. Please contact our Sales department for further details.



**CUSTOM DESIGN SERVICE**