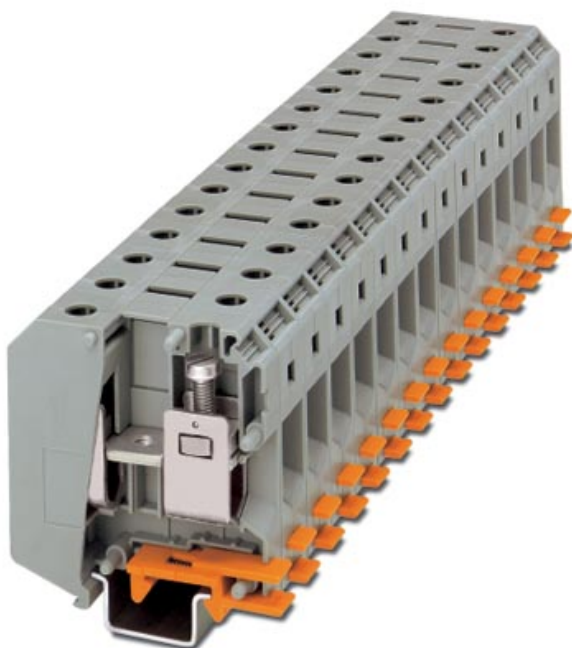


Please note that the data given here has been taken from the online catalog. For comprehensive information and data, please refer to the user documentation at <http://www.download.phoenixcontact.com>. The General Terms and Conditions of Use apply to Internet downloads.

► Extract from the online catalog



Universal terminal block with screw connection, cross section: 25 - 50 mm², AWG: 6 - 1/0, width: 20 mm, color: gray

| | |
|--------------------------|--------------------|
| Order No. | 3009118 |
| Ord designation | UKH 50 |
| EAN | 4017918091644 |
| Pack | 10 Pcs. |
| Customs tariff | 85369010 |
| Weight/Piece | 0,12107 KG |
| Catalog page information | Page 214 (CL-2005) |

► Product notes

WEEE/RoHS-compliant since: 09/01/2005



IMPORTANT : This date is valid for Customers in Germany only. Date Format is MM/DD/YYYY. Please contact your local in-country Phoenix Contact location or designated business partner for a Logistics Compliant date in your area. In order to guarantee delivery of RoHS-Compliant product, please purchase Phoenix Contact parts from authorized Phoenix Contact representatives and distributors.

UKH 50



▶ **Technical data**

General

| | |
|------------------------------------|------|
| Number of levels | 1 |
| Number of connections | 2 |
| Color | gray |
| Insulating material | PA |
| Inflammability class acc. to UL 94 | V0 |

Dimensions

| | |
|-----------------|---------|
| Width | 20 mm |
| Length | 70.5 mm |
| Height NS 35/15 | 83.5 mm |
| Height NS 32 | 81.5 mm |

Technical data

| | |
|----------------------------------|---|
| Maximum load current | 150 A (with 50 mm ² conductor cross section) |
| Rated surge voltage | 8 kV |
| Contamination class | 3 |
| Surge voltage category | III |
| Insulating material group | I |
| Connection in acc. with standard | IEC / EN |
| Nominal current I _N | 150 A |
| Nominal voltage U _N | 1000 V |
| Open side panel | nein |

Connection data

| | |
|---|--------------------|
| Conductor cross section solid min. | 16 mm ² |
| Conductor cross section solid max. | 50 mm ² |
| Conductor cross section stranded min. | 25 mm ² |
| Conductor cross section stranded max. | 50 mm ² |
| Conductor cross section AWG/kcmil min. | 6 |
| Conductor cross section AWG/kcmil max | 0 |
| Conductor cross section stranded, with ferrule without plastic sleeve min. | 25 mm ² |
| Conductor cross section stranded, with ferrule without plastic sleeve max. | 50 mm ² |
| Conductor cross section stranded, with ferrule with plastic sleeve min. | 25 mm ² |
| Conductor cross section stranded, with ferrule with plastic sleeve max. | 50 mm ² |
| 2 conductors with same cross section, solid min. | 10 mm ² |
| 2 conductors with same cross section, solid max. | 16 mm ² |
| 2 conductors with same cross section, stranded min. | 10 mm ² |
| 2 conductors with same cross section, stranded max. | 16 mm ² |
| 2 conductors with same cross section, stranded, ferrules without plastic sleeve, min. | 10 mm ² |
| 2 conductors with same cross section, stranded, ferrules without plastic sleeve, max. | 16 mm ² |
| Type of connection | Screw connection |
| Stripping length | 24 mm |
| Internal cylindrical gage | B10 |
| Screw thread | M 6 |

UKH 50



Tightening torque, min

6 Nm

► Certificates / Approvals

Certificate logos

CSA

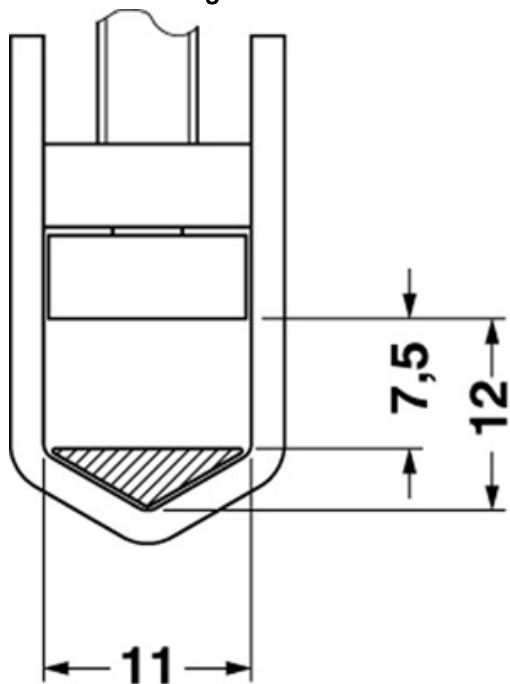
| | |
|-----------------------|-------|
| Nominal voltage U_N | 600 V |
| Nominal current I_N | 125 A |
| AWG/kcmil | 6-1/0 |

UL

| | |
|-----------------------|-------|
| Nominal voltage U_N | 600 V |
| Nominal current I_N | 150 A |
| AWG/kcmil | 6-1/0 |

► Drawings

Dimensioned drawing



► Accessories

| Item | Designation | Description |
|-----------------|-------------------------------|--|
| Assembly | | |
| 3001763 | AGK 10-UKH 50 | Pick-off terminal block, fully insulated, enables a voltage connection up to a nominal voltage of 1000 V, color: Gray |
| 1201659 | E/AL-NS 32 | End bracket, for end support of UKH 50 - UKH 240, is pushed onto DIN rail NS 32 and fixed with 2 screws, width: 10 mm, color: Aluminum |
| 1201662 | E/AL-NS 35 | End bracket, for end support of UKH 50 to UKH 240, is pushed onto DIN rail NS 35 and fixed with 2 screws, width: 10 mm, color: aluminum |
| 1201028 | NS 32 AL UNPERF 2000MM | G rail 32 mm (NS 32) |
| 1201280 | NS 32 CU/120QMM UNPERF 2000MM | G-profile DIN rail, deep-drawn, material: Copper, unperforated, height 15 mm, width 32 mm, length 2 m |
| 1201358 | NS 32 CU/35QMM UNPERF 2000MM | G-profile DIN rail, material: Copper, unperforated, height 15 mm, width 32 mm, length 2 m |
| 1201002 | NS 32 PERF 2000MM | G-profile DIN rail, material: Steel, perforated, height 15 mm, width 32 mm, length 2 m |
| 1201015 | NS 32 UNPERF 2000MM | G-profile DIN rail, material: Steel, unperforated, height 15 mm, width 32 mm, length 2 m |
| 1201756 | NS 35/15 AL UNPERF 2000MM | DIN rail, deep-drawn, high profile, unperforated, 1.5 mm thick, material: Aluminum, height 15 mm, width 35 mm, length 2 m |
| 1201895 | NS 35/15 CU UNPERF 2000MM | DIN rail, material: Copper, unperforated, 1.5 mm thick, height 15 mm, width 35 mm, length: 2 m |
| 1201730 | NS 35/15 PERF 2000MM | DIN rail, material: Steel, perforated, height 15 mm, width 35 mm, length: 2 m |
| 1201714 | NS 35/15 UNPERF 2000MM | DIN rail, material: Steel, unperforated, height 15 mm, width 35 mm, length: 2 m |
| 1201798 | NS 35/15-2,3 UNPERF 2000MM | DIN rail, material: Steel, unperforated, 2.3 mm thick, height 15 mm, width 35 mm, length: 2 m |
| Bridges | | |
| 0201346 | FBI 2-20 | Fixed bridge, for cross connections, with screws, screw heads without insulation, 2-pos. |
| 0201317 | FBI 3-20 | Fixed bridge, for cross connections, with screws, screw heads without insulation, 3-pos. |
| Marking | | |
| 3009024 | WS 3/4-UKH 50/25 | Warning plate, with 2 plastic screws, across 3 UKH 50 or 4 UKH 25 terminal blocks, pitch: 15 mm |
| 3009037 | WS 4/5-UKH 50/25 | Warning plate, with 2 plastic screws, across 4 UKH 50 or 5 UKH 25 terminal blocks, pitch: 15 mm |
| 0811228 | X-PEN 0,35 | Marker pen without ink cartridge, for manual labeling of markers, labeling extremely wipe-proof, line thickness 0.35 mm |
| 0811163 | ZB-T QR | Marking foil for Zack marker strip, for individual labeling with thermal transfer printer, 1 roll = 1000 labels, strip length: 101 mm, height of strip: 9.5 mm |

| | | |
|---------|------------------------|---|
| 5060883 | ZB10/WH-100:UNBEDRUCKT | Zack strip, unprinted: 10-section, for individual labeling with M-PEN, ZB-T or CMS system, large batch, sufficient for labeling 1000 terminal blocks, for a terminal width of 10.2 mm, color: White |
| 1050525 | ZB10:SO/CMS | Zack strip, 10-section, divisible, special printing, marking according to customer requirements |
| 1050525 | ZB10:SO/CMS | Zack strip, 10-section, divisible, special printing, marking according to customer requirements |

Plug/Adapter

| | | |
|---------|-----------|---|
| 3009228 | UKH 50 EP | Insertion profile, levels out the prism-shaped sleeve base when using flat conductors |
|---------|-----------|---|

Tools

| | | |
|---------|-------------|---|
| 1205082 | SZS 1,2X8,0 | Screwdriver, bladed, matches all screw terminal blocks with 35 mm ² up to 70 mm ² connection cross section, blade width: 8.0 mm |
|---------|-------------|---|

► Address

PHOENIX CONTACT GmbH & Co. KG
Flachsmarktstr. 8
32825 Blomberg
Germany
Phone +49 5235 3 00
Fax +49 5235 3 41200
<http://www.phoenixcontact.com>
Phoenix Contact
Technical modifications reserved;