

10 9 8 7 6 5 4 3 2 1

F

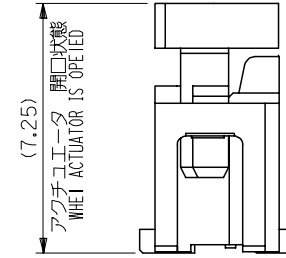
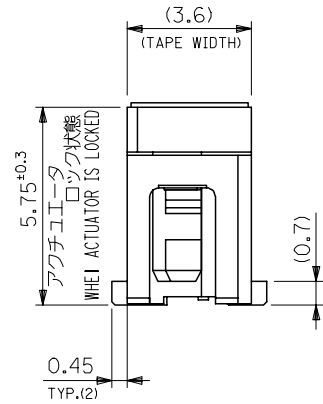
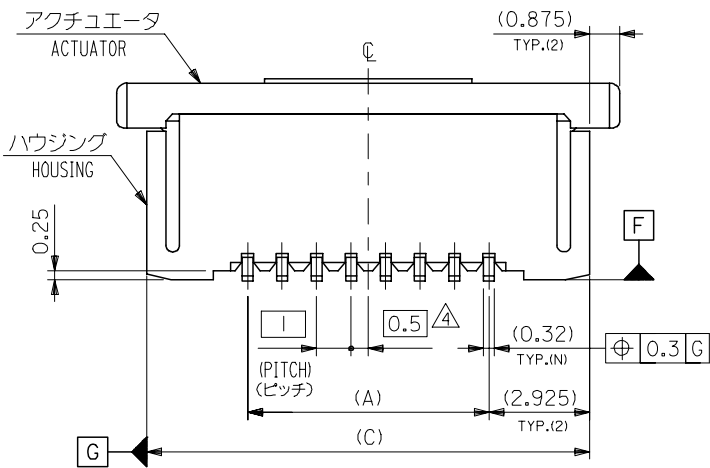
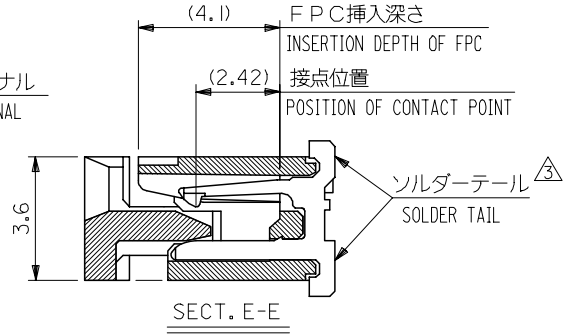
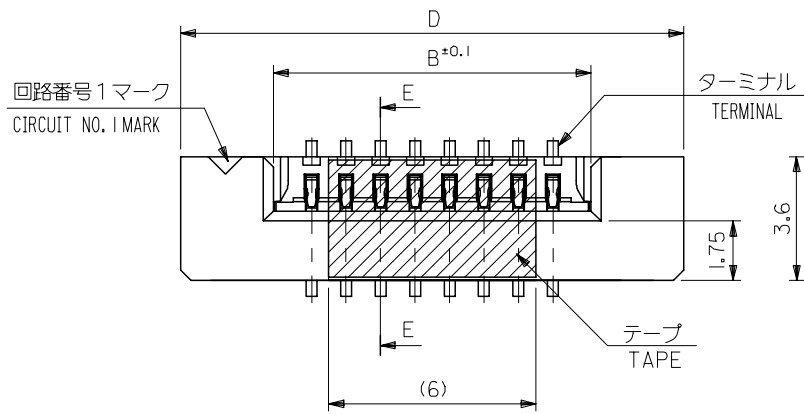
E

D

C

B

A



F

E

D

C

B

A

REVISED EC NO: J2006-0190 DRW:HYAJIMA 2005/07/27 CHK:DN.UKITA 2005/07/27 APP:NUKITA 2005/08/02	GENERAL TOLERANCES (UNLESS SPECIFIED)		DIMENSION STYLE MM ONLY	SCALE ---	DESIGN UNITS METRIC	THIRD ANGLE PROJECTION	
	10 UNDER	±0.2	DRAWN BY H. SHIMABUKUR	DATE '04/31/17	TITLE 1.0 FPC CONN ZIF FOR SMT (ST)WITH TAPE -LEAD FREE-		
	10 OVER 30 UNDER	±0.25	CHECKED BY K. TOJO	DATE '04/31/17	MOLEX INCORPORATED		
	30 OVER	±0.3	APPROVED BY M. SASAO	DATE '04/31/17	MATERIAL NO.	DOCUMENT NO. SD-52610-034	SHEET NO. 1 OF 2
	ANGULAR	±3 °	DRAFT WHERE APPLICABLE MUST REMAIN WITHIN DIMENSIONS		ENTER PART		

9

8

7

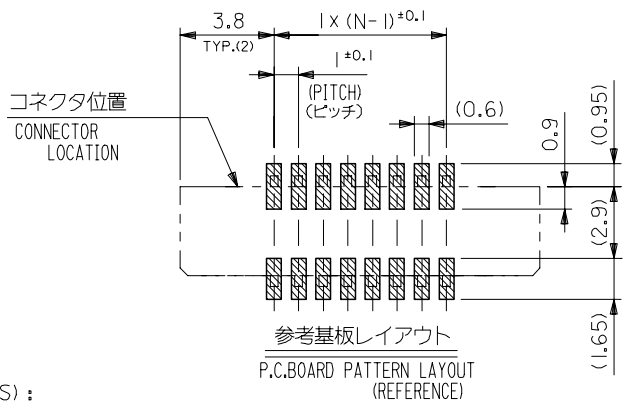
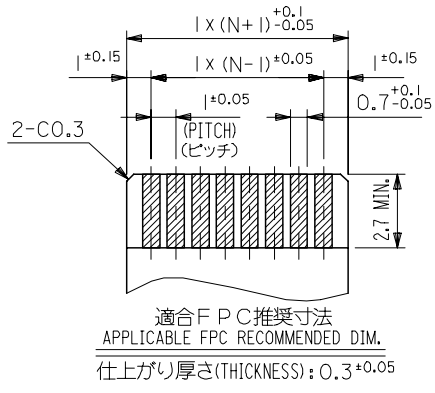
6

5

4

3

2



注記(NOTES):

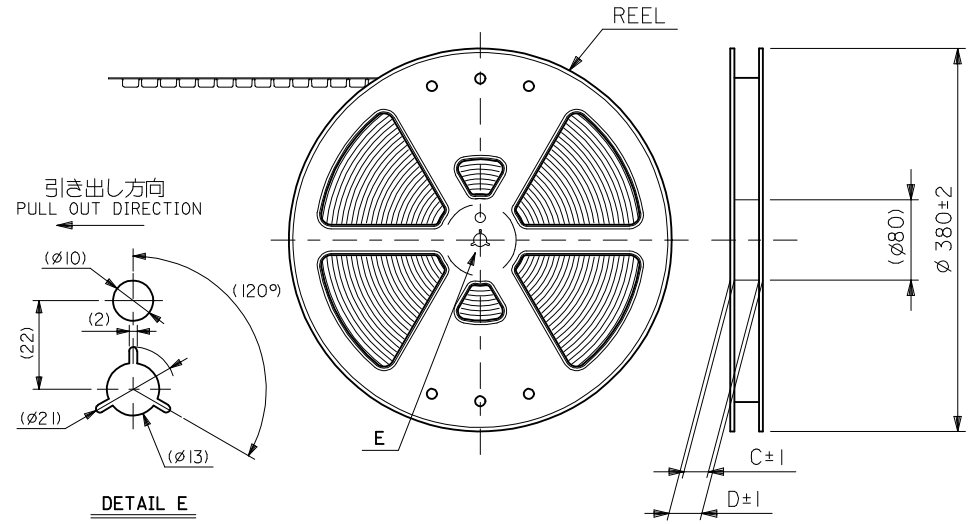
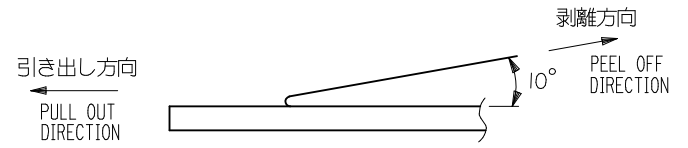
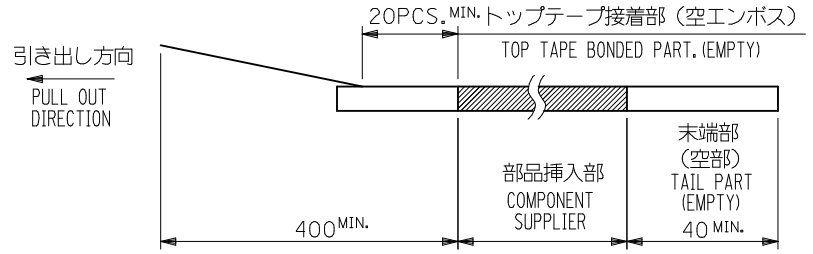
- 材料(MATERIAL)  
ハウジング(HOUSING): 46NYLON, UL94V-0  
アクチュエータ(ACTUATOR): PPS, UL94V-0  
ターミナル(TERMINAL): リン青銅、ニッケル下地、錫-ビスマスメッキ (t0.32)  
PHOS-BRO. TIN-BISMUTH OVER NICKEL PLATED (A)
- エンボステープ梱包時は、アクチュエータがロックした状態とする。  
IN THE PACKAGE, ACTUATOR OF PART NO. 52610-\*\*59 SHOULD BE LOCKED.
- ソルダータール半田付け面のズレ量は、基準面 [F] に対し上方向 0.05 MAX.、下方向 0.15 MAX. とする。  
MISALIGNMENT OF SOLDER TAILS FROM [F] UPPER DIRECTION: 0.05 MAX., LOWER DIRECTION: 0.15 MAX.
- 偶数極に適用。  
APPLY FOR EVEN CIRCUIT.
- 本製品は 52610-\*\*57 の鉛フリー品である。  
THIS PRODUCT IS LEAD FREE OF 52610-\*\*57

36.6	34.85	31.2	29	52610-3059	30
35.6	33.85	30.2	28	-2959	29
34.6	32.85	29.2	27	-2859	28
33.6	31.85	28.2	26	-2759	27
32.6	30.85	27.2	25	-2659	26
31.6	29.85	26.2	24	-2559	25
30.6	28.85	25.2	23	-2459	24
29.6	27.85	24.2	22	-2359	23
28.6	26.85	23.2	21	-2259	22
27.6	25.85	22.2	20	-2159	21
26.6	24.85	21.2	19	-2059	20
25.6	23.85	20.2	18	-1959	19
24.6	22.85	19.2	17	-1859	18
23.6	21.85	18.2	16	-1759	17
22.6	20.85	17.2	15	-1659	16
21.6	19.85	16.2	14	-1559	15
20.6	18.85	15.2	13	-1459	14
19.6	17.85	14.2	12	-1359	13
18.6	16.85	13.2	11	-1259	12
17.6	15.85	12.2	10	-1159	11
16.6	14.85	11.2	9	-1059	10
15.6	13.85	10.2	8	-0959	9
14.6	12.85	9.2	7	-0859	8
13.6	11.85	8.2	6	-0759	7
12.6	10.85	7.2	5	52610-0659	6
D	(C)	B	(A)	MATERIAL. NO.	CKT.

REVISED EC NO: J2006-0190 DR: N. H. YAJIMA 2005/07/27 CHK: D. N. UKITA 2005/07/27 APPR: N. UKITA 2005/08/02	GENERAL TOLERANCES (UNLESS SPECIFIED)		DIMENSION STYLE MM ONLY		SCALE ---	DESIGN UNITS METRIC	THIRD ANGLE PROJECTION
	10 UNDER	± 0.2	DRAWN BY DATE H. SHIMABUKUR '04/31/17		TITLE 1.0 FPC CONN ZIF FOR SMT (ST) WITH TAPE -LEAD FREE-		
	10 OVER 30 UNDER	± 0.25	CHECKED BY DATE K. TOJO '04/31/17		MOLEX INCORPORATED		
	30 OVER	± 0.3	APPROVED BY DATE M. SASAO '04/31/17		DOCUMENT NO. SD-52610-034		
ANGULAR ± 3 °		DRAFT WHERE APPLICABLE MUST REMAIN WITHIN DIMENSIONS		MATERIAL NO. ENTER PART		SHEET NO. 2 OF 2	
THIS DRAWING CONTAINS INFORMATION THAT IS PROPRIETARY TO MOLEX INCORPORATED AND SHOULD NOT BE USED WITHOUT WRITTEN PERMISSION							

NOTES

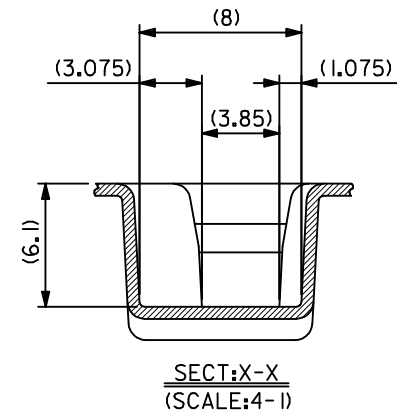
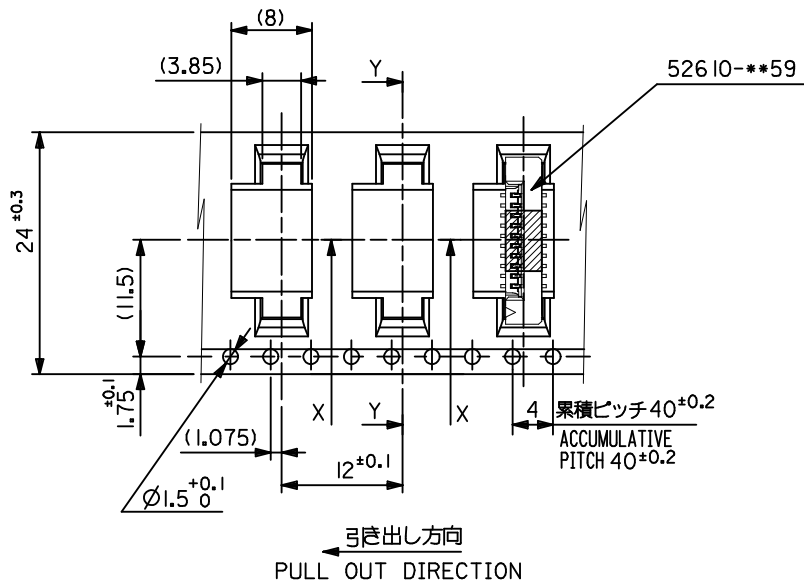
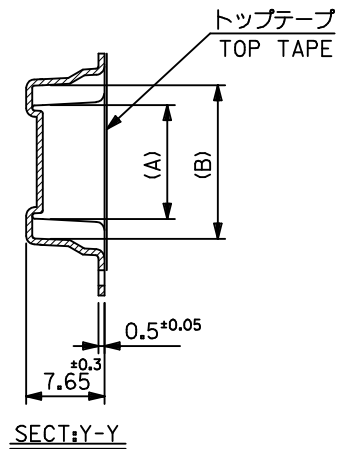
1. 梱包数量：1000個/リール  
NUMBER OF CONNECTORS : 1000PCS/REEL
2. リードテープ長さ LEAD TAPE LENGTH  
20PCS. MIN. トップテープ接着部 (空エンボス)  
TOP TAPE BONDED PART. (EMPTY)  
部品挿入部  
COMPONENT SUPPLIER  
末端部 (空部)  
TAIL PART (EMPTY)  
40 MIN.
3. トップテープの剥離強度：0.1N ~ 1.3N(10gf ~ 130gf)  
(剥離方向は下図参照)  
尚、本規格値は出荷時に適用。(但し、輸送時に剥離が発生しないこと。)  
PEELING OFF FORCE OF TOP TAPE : 0.1N ~ 1.3N(10gf ~ 130gf)  
(PEELING DIRECTION AS SHOWN IN FOLLOWING FIG.)  
THIS REQUIREMENT SHOULD BE APPLIED AT SHIPMENT.  
PEEL OFF SHOULD NOT BE ALLOWED , DURING TRANSPORTATION.
4. 52610-\*\*-59のアクチュエータはハウジング内に押し下げた状態とする。  
詳細寸法については 製品単体図面を参照下さい。  
ACTUATOR OF PART NO. 52610-\*\*-59 SHOULD BE LOCKED.  
FOR DETAIL OF CONNECTOR DIMENSIONS, PLEASE SEE THE DRAWING OF ITSELF.
5. 材料 (MATERIAL)  
キャリアテープ (CARRIER TAPE) : ポリプロピレン (POLYPROPYLENE)  
トップテープ (TOPTAPE) : PET , PE , PEF  
リール (REEL) : ポリスチレン (PS) <リサイクル材を含む>  
POLYSTYRENE (PS) <RECYCLE MATERIAL CONTAINED>
6. 本製品は 52610-\*\*-94 の鉛フリー品である。  
THIS PRODUCT IS LEAD FREE OF 52610-\*\*-94
7. 本製品は乾燥剤入り、ハイバリア梱包仕様である。  
THIS PRODUCT IS HIGH BARRIER PACKAGE WITH DESICCANT.



DETAIL E

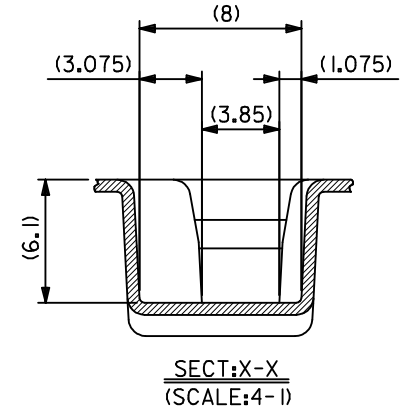
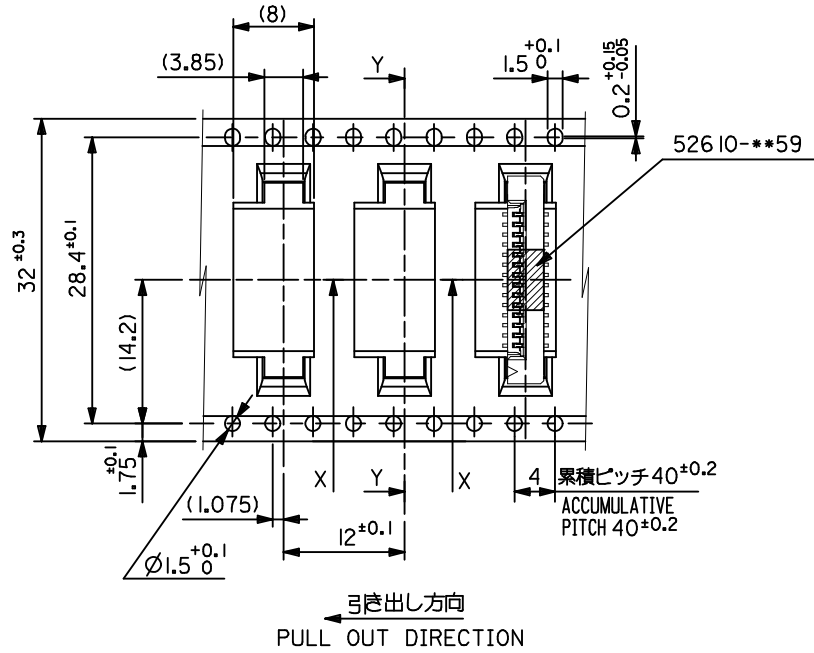
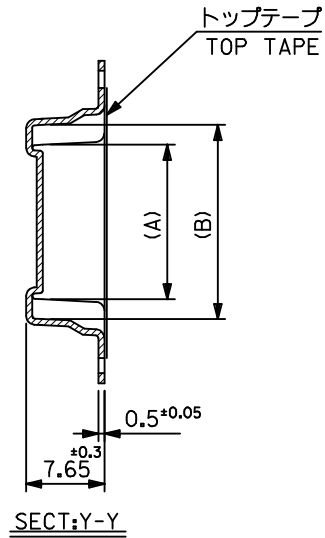
52610-\*\*-75 MODEL NO.

REVISED EC NO.: J2009-2061 DRWN:TKON 2009/05/20 CHKD:HATSUMOTO 2009/05/21 APPR:NUKITA 2009/05/21	GENERAL TOLERANCES (UNLESS SPECIFIED)		DIMENSION STYLE MM ONLY	SCALE ---	DESIGN UNITS METRIC	THIRD ANGLE PROJECTION
	10 UNDER	±0.3	DRAWN BY H. SHIMABUKUR	DATE 2004/03/17	TITLE 1.0 FPC CONN SMT ZIF WITH TAPE EMBSTP PKG -LEAD FREE-	
	10 OVER 30 UNDER	±0.25	CHECKED BY K. TOJO	DATE 2004/03/17	MOLEX INCORPORATED	
	30 OVER	±0.2	APPROVED BY M. SASAO	DATE 2004/03/17	DOCUMENT NO. SD-52610-035	SHEET NO. 1 OF 5
	ANGULAR	±3 °	MATERIAL NO. SEE TABLE			
A	DRAFT WHERE APPLICABLE MUST REMAIN WITHIN DIMENSIONS		SIZE A3	THIS DRAWING CONTAINS INFORMATION THAT IS PROPRIETARY TO MOLEX INCORPORATED AND SHOULD NOT BE USED WITHOUT WRITTEN PERMISSION		



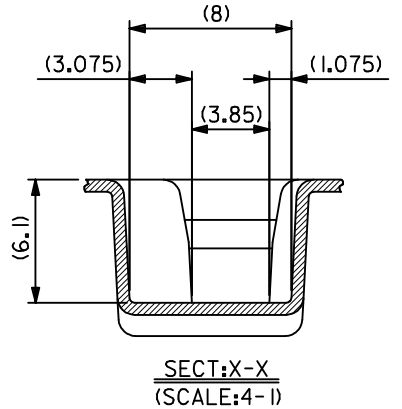
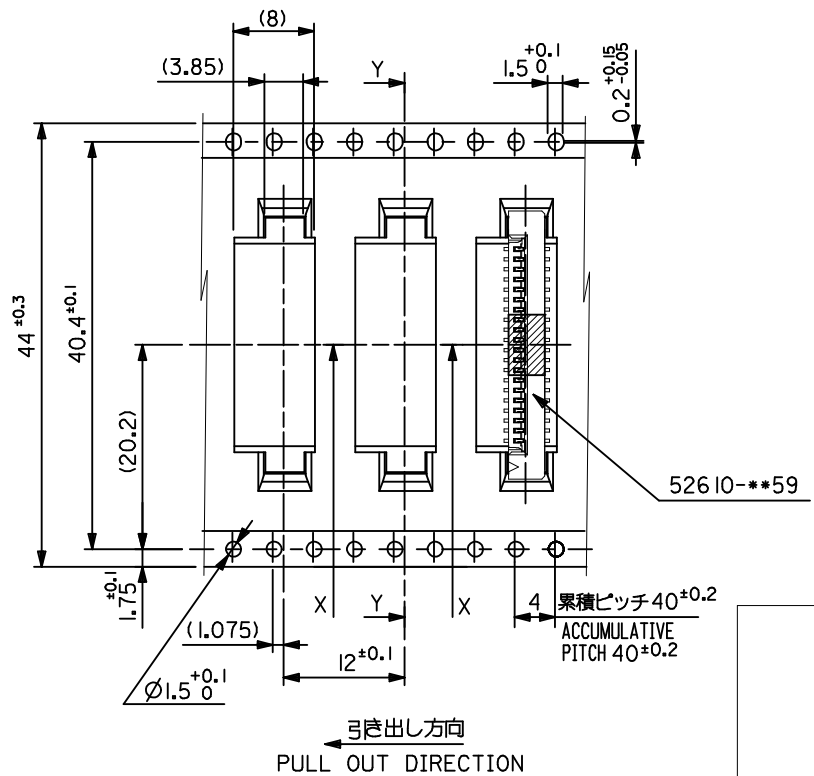
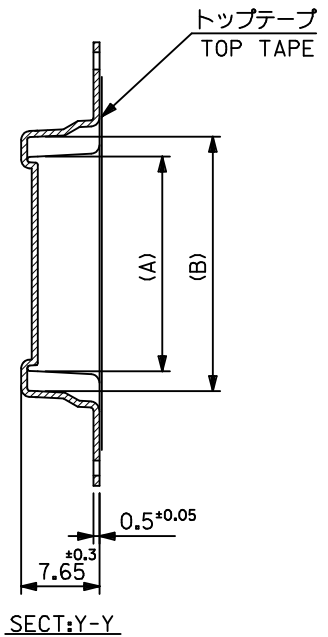
52610-***75	キャリアテープ幅 CARRIER TAPE WIDTH	D	C	(B)	(A)	MATERIAL. NO.	極数 CKT.
-------------	--------------------------------	---	---	-----	-----	---------------	------------

REVISED EC NO: J2009-2061 DRWN:TKGN 2009/05/20 CHKD:HMATSUMOTO 2009/05/21 APPR:NUKITA 2009/05/21	GENERAL TOLERANCES (UNLESS SPECIFIED)		DIMENSION STYLE MM ONLY		SCALE ---		DESIGN UNITS METRIC		THIRD ANGLE PROJECTION	
	10 UNDER	±0.3	DRAWN BY H. SHIMABUKUR		DATE 2004/03/17		TITLE 1.0 FPC CONN SMT ZIF WITH TAPE EMBSTP PKG -LEAD FREE-			
	10 OVER 30 UNDER	±0.25	CHECKED BY K. TOJO		DATE 2004/03/17		MOLEX INCORPORATED DOCUMENT NO. SD-52610-035 SHEET NO. 2 OF 5			
	30 OVER	±0.2	APPROVED BY M. SASAO		DATE 2004/03/17					
REV	DESCRIPTION	ANGULAR ±3 °		MATERIAL NO.		SEE TABLE		THIS DRAWING CONTAINS INFORMATION THAT IS PROPRIETARY TO MOLEX INCORPORATED AND SHOULD NOT BE USED WITHOUT WRITTEN PERMISSION		
A		DRAFT WHERE APPLICABLE MUST REMAIN WITHIN DIMENSIONS		SIZE A3						



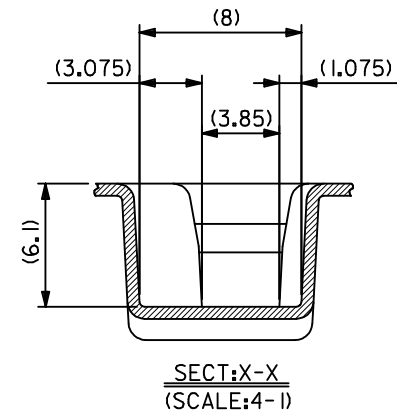
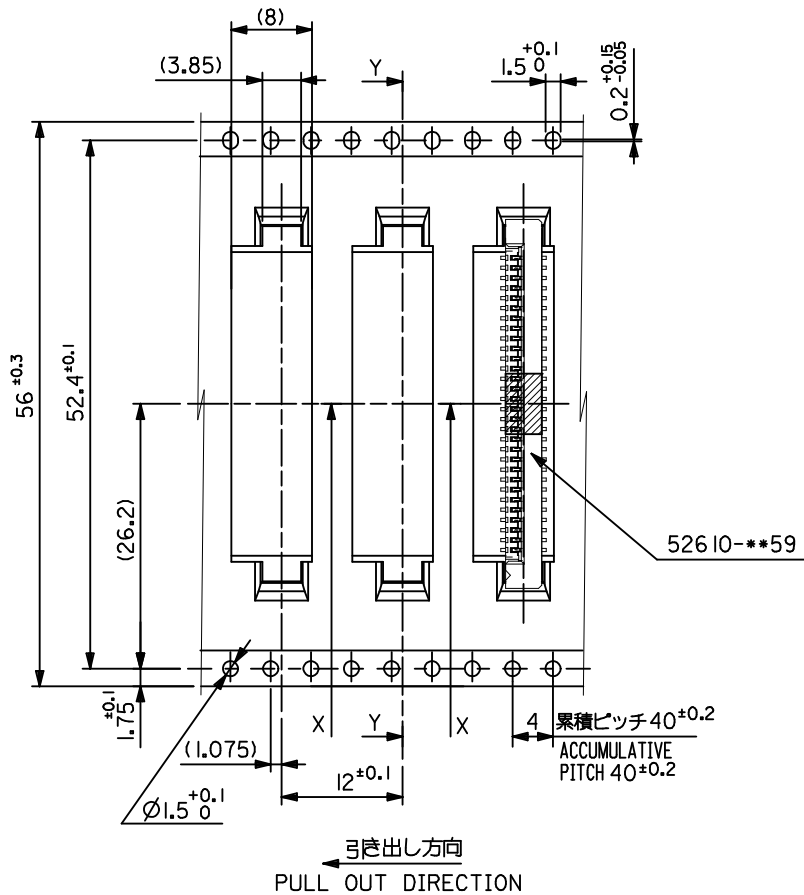
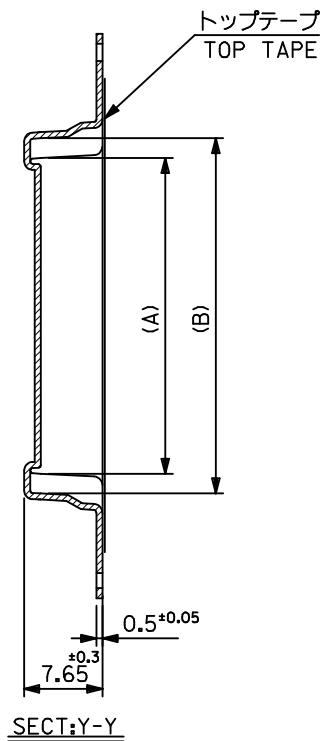
52610-***75	MODEL NO.	キャリアテープ幅 CARRIER TAPE WIDTH	D	C	20.25	16.32	52610-1575	15
					19.25	15.32	52610-1475	14
					18.25	14.32	52610-1375	13
					17.25	13.32	52610-1275	12
32	37.4	33.4	(B)	(A)	MATERIAL. NO.	極数 CKT.		

REVISED EC NO: J2009-2061 DRWN:TKON 2009/05/20 CHKD:HMATSUMOTO 2009/05/21 APPR:NUKITA 2009/05/21	DESCRIPTION	GENERAL TOLERANCES (UNLESS SPECIFIED)		DIMENSION STYLE		SCALE	DESIGN UNITS	THIRD ANGLE PROJECTION		
		10 UNDER ±0.3		MM ONLY		---	METRIC	⊙ □		
		10 OVER 30 UNDER ±0.25		DRAWN BY DATE		TITLE				
		30 OVER ±0.2		CHECKED BY DATE		1.0 FPC CONN SMT ZIF WITH TAPE EMBSTP PKG -LEAD FREE-				
A	REV	ANGULAR ±3 °		APPROVED BY DATE		MOLEX INCORPORATED				
		DRAFT WHERE APPLICABLE MUST REMAIN WITHIN DIMENSIONS		MATERIAL NO.		DOCUMENT NO.		SHEET NO.		
		SEE TABLE		SD-52610-035		3 OF 5				
				SIZE A3		THIS DRAWING CONTAINS INFORMATION THAT IS PROPRIETARY TO MOLEX INCORPORATED AND SHOULD NOT BE USED WITHOUT WRITTEN PERMISSION				



52610-***75	キャリアテープ幅	D	C	(B)	(A)	MATERIAL. NO.	極数
MODEL. NO.	CARRIER TAPE WIDTH						CKT.

REVISED EC NO.: J2009-2061 DRWN:TKON 2009/05/20 CHKD:HMATSUMOTO 2009/05/21 APPR:NIKITA 2009/05/21	GENERAL TOLERANCES (UNLESS SPECIFIED)		DIMENSION STYLE		SCALE		DESIGN UNITS		THIRD ANGLE PROJECTION	
	(UNLESS SPECIFIED)		MM ONLY		---		METRIC		1.0 FPC CONN SMT ZIF WITH TAPE EMBOSTP PKG -LEAD FREE- MOLEX INCORPORATED	
	10 UNDER	±0.3	DRAWN BY	DATE	TITLE					
	10 OVER 30 UNDER	±0.25	H. SHIMABUKUR	2004/03/17						
30 OVER	±0.2	CHECKED BY	DATE							
		K. TOJO	2004/03/17							
		APPROVED BY	DATE							
		M. SASAO	2004/03/17							
		ANGULAR	±3 °							
		DRAFT WHERE APPLICABLE MUST REMAIN WITHIN DIMENSIONS		SEE TABLE		DOCUMENT NO.		SHEET NO.		
				A3		SD-52610-035		4 OF 5		
		THIS DRAWING CONTAINS INFORMATION THAT IS PROPRIETARY TO MOLEX INCORPORATED AND SHOULD NOT BE USED WITHOUT WRITTEN PERMISSION								



52610-***75	56	61.4	57.4	35.25	31.32	52610-3075	30
MODEL.NO.	キャリアテープ幅 CARRIER TAPE WIDTH	D	C	33.25	29.32	52610-2875	28
				(B)	(A)	MATERIAL. NO.	極数 CKT.

REVISED EC NO.: J2009-2061 DRWN:TKON 2009/05/20 CHKD:HMATSUMOTO 2009/05/21 APPR:NUKITA 2009/05/21	DESCRIPTION GENERAL TOLERANCES (UNLESS SPECIFIED)	10 UNDER	±0.3	DIMENSION STYLE <b>MM ONLY</b>	SCALE ---	DESIGN UNITS METRIC	THIRD ANGLE PROJECTION
		10 OVER 30 UNDER	±0.25				
		30 OVER	±0.2				
		ANGULAR	±3 °	DRAWN BY DATE H. SHIMABUKUR 2004/03/17		TITLE 1.0 FPC CONN SMT ZIF WITH TAPE EMBSTP PKG -LEAD FREE-	
DRAFT WHERE APPLICABLE MUST REMAIN WITHIN DIMENSIONS	REV A	CHECKED BY DATE K. TOJO 2004/03/17		MOLEX INCORPORATED			
		APPROVED BY DATE M. SASAO 2004/03/17		DOCUMENT NO. SD-52610-035		SHEET NO. 5 OF 5	
		MATERIAL NO. SEE TABLE		THIS DRAWING CONTAINS INFORMATION THAT IS PROPRIETARY TO MOLEX INCORPORATED AND SHOULD NOT BE USED WITHOUT WRITTEN PERMISSION			