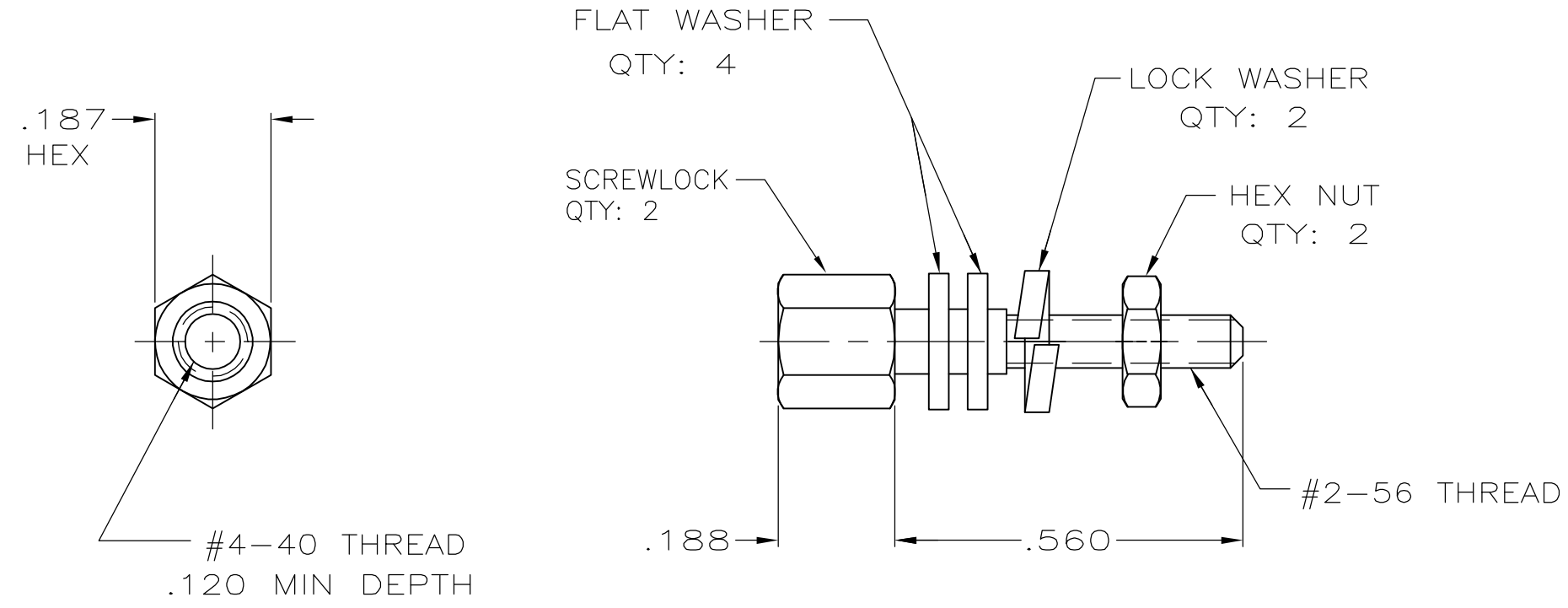


THIS DRAWING IS UNPUBLISHED. RELEASED FOR PUBLICATION
 © COPYRIGHT BY TYCO ELECTRONICS CORPORATION. ALL RIGHTS RESERVED.

LOC	DIST	REVISIONS			
P	LTR	DESCRIPTION	DATE	DWN	APVD
GP	00	0	RELEASED PER EC 0S13-0207-05	11JUL05	SW JG



- 1 COLD ROLLED STEEL.
- 2 ZINC PLATED .000200-.000400 THICK, CLEAR CHROMATE COATING.
- 3. PARTS PACKAGED UNASSEMBLED.
- 4. PARTS PACKAGED AS A UNIT KIT.

5747223-3
 PART NO

THIS DRAWING IS A CONTROLLED DOCUMENT.		DWN S.WAITMAN 11JUL05	Tyco Electronics Corporation Harrisburg, Pa 17105-3608			
DIMENSIONS: INCHES		CHK C.ROHDE 11JUL05				
TOLERANCES UNLESS OTHERWISE SPECIFIED:		APVD M.WALMSLEY 11JUL05	NAME			
0 PLC ± - 1 PLC ± - 2 PLC ± - 3 PLC ± .005 4 PLC ± - ANGLES ± -		PRODUCT SPEC	KIT #4-40 SCREW LOCK FEMALE WITH 2-56 THREADS, AMPLIMITE HD-20			
MATERIAL 1		APPLICATION SPEC	SIZE	CAGE CODE	DRAWING NO	RESTRICTED TO
FINISH 2		WEIGHT -	A3	00779	C-5747223	-
CUSTOMER DRAWING			SCALE 4:1	SHEET 1 OF 1	REV 0	