

Waterproof Miniature Illuminated Rocker



Features

- Waterproof: IP65
- Single Pole
- .187" Quick Connect Terminals

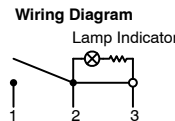
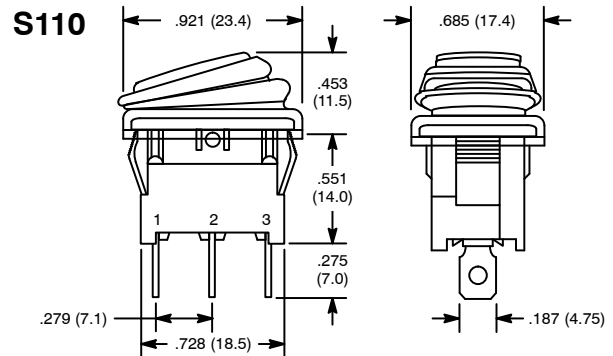


Table 1. Mounting Hole

Panel Thickness	X
.030 (.750) - .059 (1.50)	.764 (19.40)
.059 (1.50) - .098 (2.50)	.780 (19.80)

Mounting Hole Dimensions: .512 (13.0) Dia, X Dia

Specifications

Current Rating: 16A 125VAC 1/3 HP, 10A 250VAC 1/2 HP
Lamp Voltage: 110V Neon (AC) & 12V LED (DC)
Insulation Resistance: 100 Megohms (min.) at 500VDC
Dielectric Strength: 1000V RMS (min.)
Temperature Rating: +32° to +185°F (0° to +85°C)
Electrical Life: 10,000 cycles
Mechanical Life: 50,000 cycles at full load
Terminal Type: .187" Tab Q.C.
Mounting Hole: See Table 1

NTE Type No.	Circuitry	Action			Actuator				Diag No.
					Material	Color		Vltg	
						Neon	LED		
NEW 54-200W	SPST	ON	NONE	OFF	PC	Red	-	AC	S110
NEW 54-201W	SPST	ON	NONE	OFF	PC	-	Red	DC	S110
NEW 54-202W*	SPDT	ON	NONE	ON	PC	Black		N/A	S110
NEW 54-203W	SPST	ON	NONE	OFF	PC	Green	-	AC	S110
NEW 54-204W	SPST	ON	NONE	OFF	PC	-	Green	DC	S110

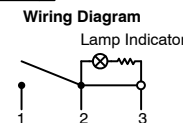
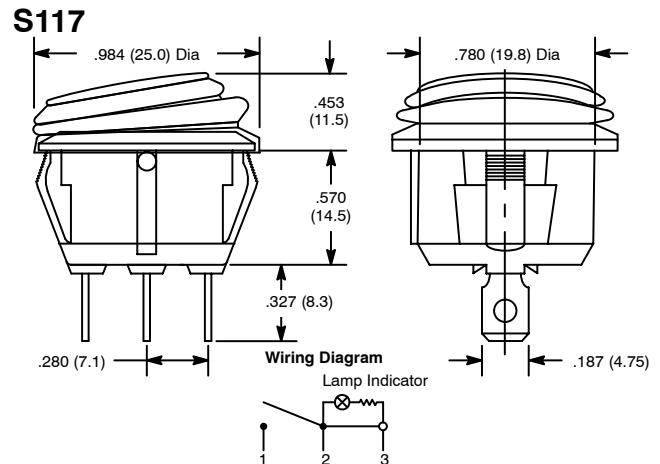
* Designates Non-Illuminated Type

Waterproof Round Illuminated Rocker



Features

- Waterproof: IP65
- Single Pole
- .187" Quick Connect Terminals



Specifications

Current Rating: 16A 125VAC, 10A 250VAC
Lamp Voltage: 110V Neon (AC) & 12V LED (DC)
Insulation Resistance: 100 Megohms (min.) at 500VDC
Dielectric Strength: 1500V RMS (min.)
Temperature Rating: +32° to +185°F (0° to +85°C)
Electrical Life: 10,000 cycles
Mechanical Life: 50,000 cycles at full load
Terminal Type: .187" Tab Q.C.
Mounting Hole: .795 (20.2)

NTE Type No.	Circuitry	Action			Actuator				Diag No.
					Material	Color		Vltg	
						Neon	LED		
NEW 54-503W*	SPST	ON	NONE	OFF	Nylon	Black		N/A	S117
NEW 54-526W	SPST	ON	NONE	OFF	Nylon	Green	-	AC	S117
NEW 54-527W	SPST	ON	NONE	OFF	Nylon	-	Red	DC	S117
NEW 54-529W	SPST	ON	NONE	OFF	Nylon	-	Green	DC	S117
NEW 54-531W	SPST	ON	NONE	OFF	Nylon	Red	-	AC	S117

* Designates Non-Illuminated Type