

LOC	DIST	REV	DESCRIPTION	DATE	BY	APPD
GP	00	A	REV PER ECO-06-005380	14MAR2006	BC	GG

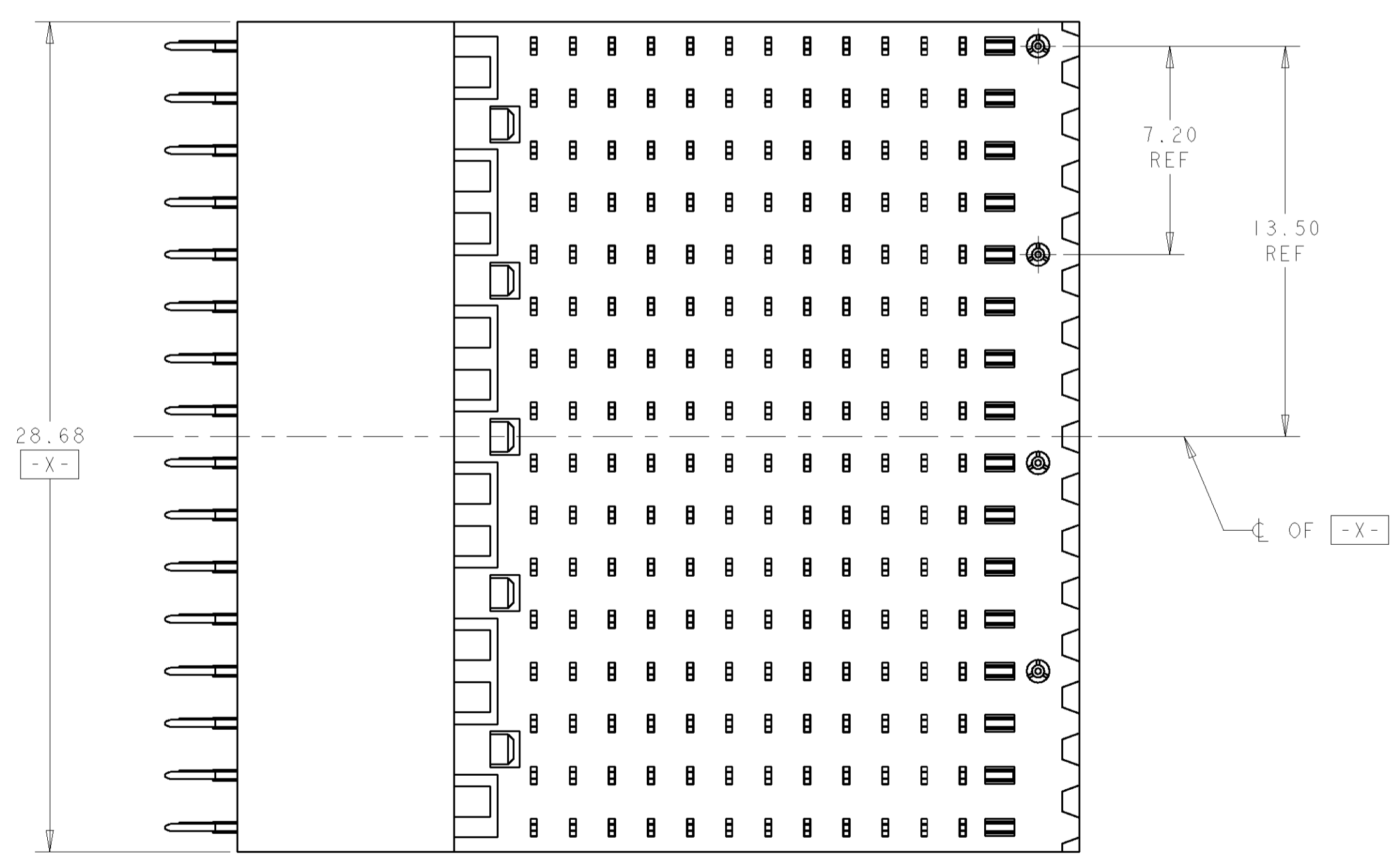
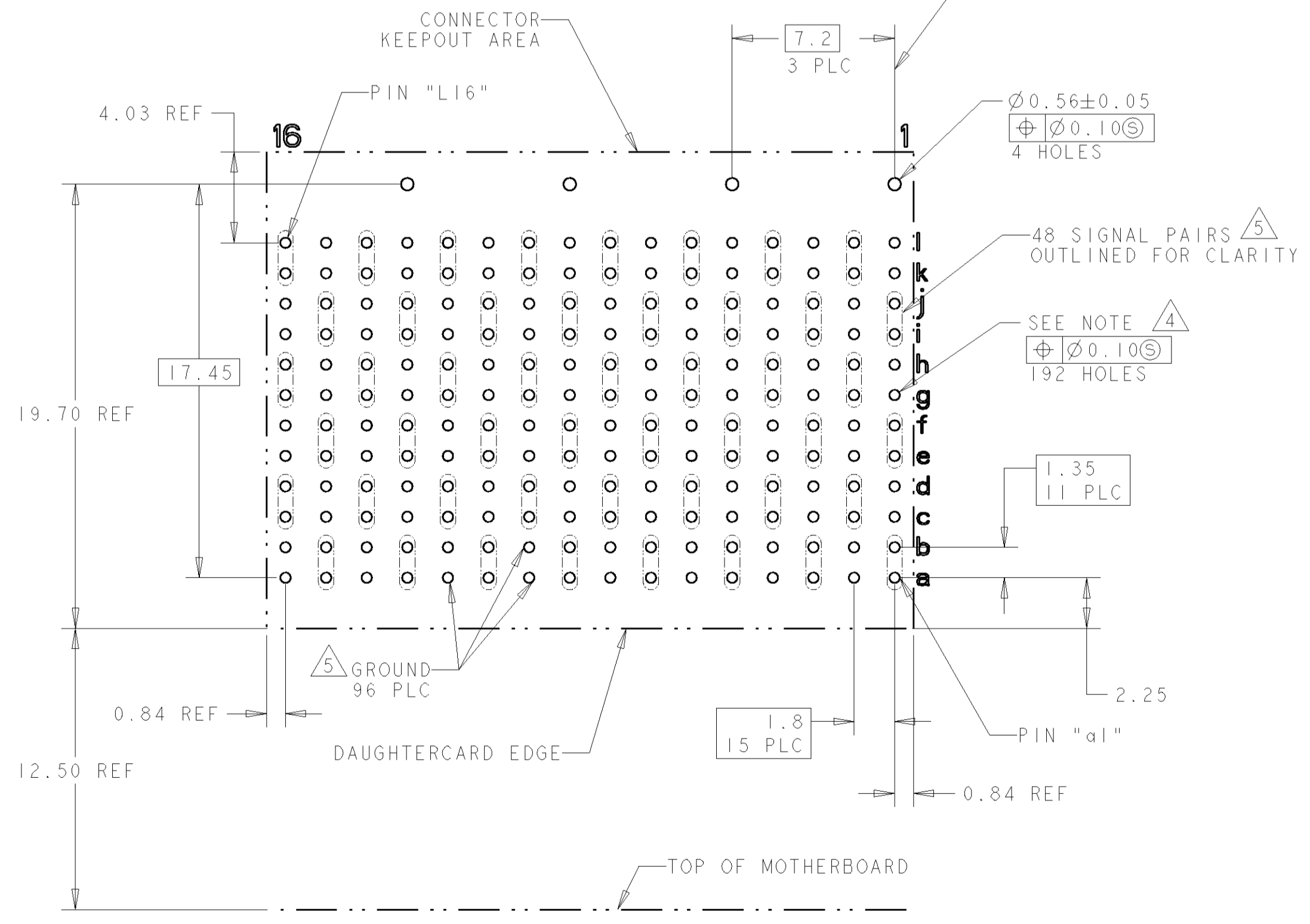
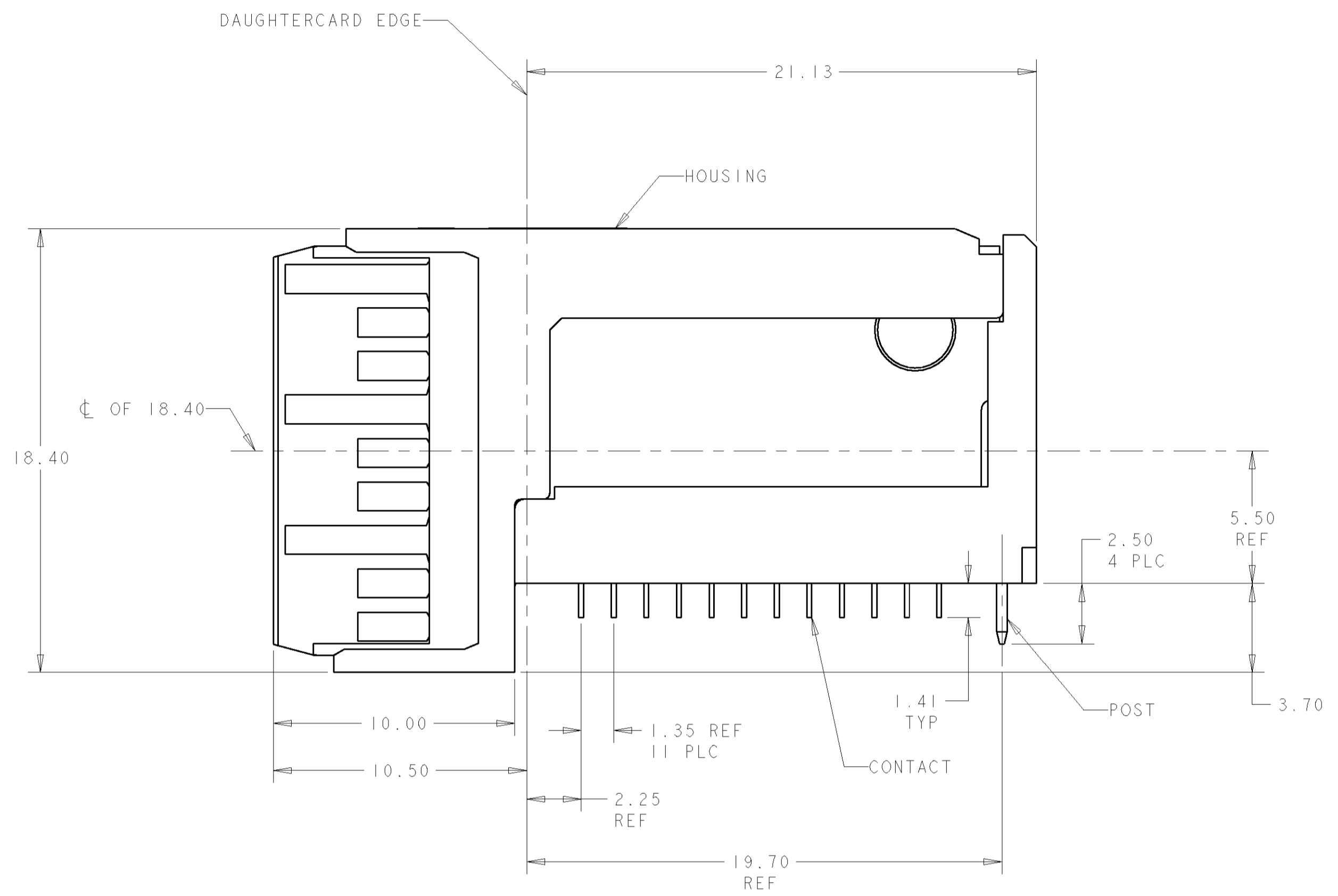
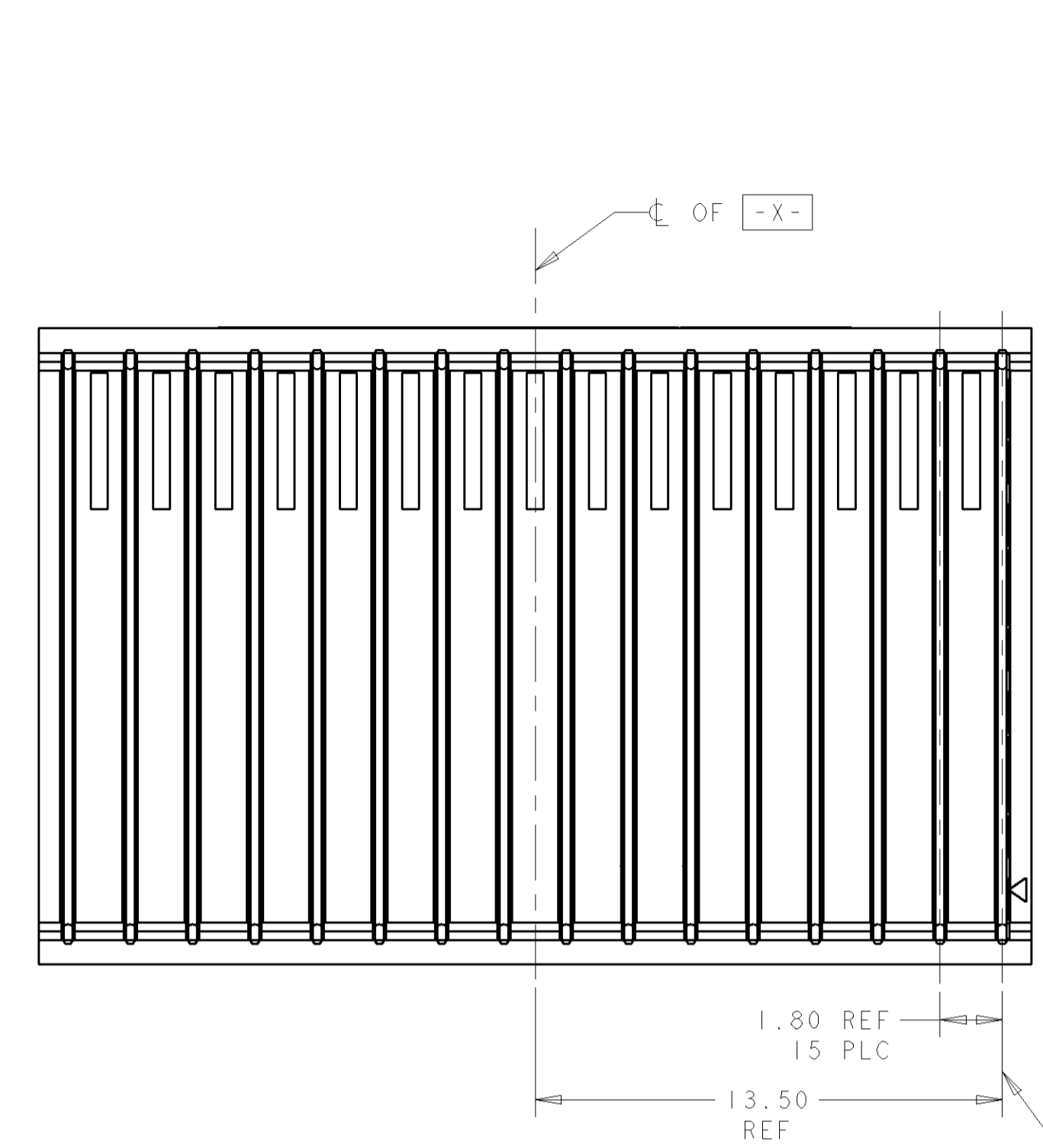
- 1 HOUSING: LCP, UL94V0, COLOR: BLACK.
CONTACT: PHOSPHOR BRONZE.
POST: BRASS WIRE
- 2 CONTACT: 1.27µm MIN. TIN-LEAD ON PCB TAIL
OVER 1.27µm MIN. NICKEL OVER ALL.
POST: 1.27µm MIN NICKEL PLATED.
- 3 CONTACT: 1.27µm MIN. TIN ON PCB TAIL
OVER 1.27µm MIN. NICKEL OVER ALL.
POST: 1.27µm MIN NICKEL PLATED.
- 4 MANUFACTURING TOLERANCE FOR:
Ø0.46±0.05 FINISHED HOLE WITH Sn PB PLATING:
DRILLED HOLE = Ø0.55±0.02
COPPER PLATING = 0.025-0.050
Sn PB PLATING = 0.0038-0.0124
OR
Ø0.475±0.05 FINISHED HOLE WITHOUT Sn PB PLATING:
DRILLED HOLE = Ø0.55±0.02
COPPER PLATING = 0.025-0.050
- 5 SEE TABLE 1 FOR INTERCONNECTIONS TO
BACKPLANE CONNECTOR.

TABLE 1
INTERCONNECTIONS WITH BACKPLANE CONNECTOR 1410140

TYPICAL INTERCONNECTIONS FOR EACH EVEN-NUMBERED COLUMN (WAFER): 2, 4, 6, 8, 10, 12, 14, 16		
CONTACT USAGE	DAUGHTERCARD CONNECTOR PIN	BACKPLANE CONNECTOR PIN
SIGNAL PAIR	cx	bx
	dx	cx
SIGNAL PAIR	gx	ex
	hx	fx
SIGNAL PAIR	kx	hx
	lx	ix
GROUPS	ax, bx, ex, fx, ix, jx (ALL COMMONED)	ax, dx, gx

TYPICAL INTERCONNECTIONS FOR EACH ODD-NUMBERED COLUMN (WAFER): 1, 3, 5, 7, 9, 11, 13, 15		
CONTACT USAGE	DAUGHTERCARD CONNECTOR PIN	BACKPLANE CONNECTOR PIN
SIGNAL PAIR	ax	ax
	bx	bx
SIGNAL PAIR	ex	dx
	fx	ex
SIGNAL PAIR	ix	gx
	jx	hx
GROUPS	cx, dx, gx, hx, kx, lx (ALL COMMONED)	cx, fx, ix

NOTE: "x" DESIGNATES THE COLUMN NUMBER



PC BOARD LAYOUT (CONNECTOR SIDE)
SCALE 5:1

DIMENSIONS: mm 		TOLERANCES UNLESS OTHERWISE SPECIFIED: 0 PLC ± 1 PLC ±0.5 2 PLC ±0.13 3 PLC ± 4 PLC ± ANGLES ±1°		DWN R. TREA 05NOV2002 CHK J. CONSOLI 18NOV2002 APD G. GRIFFITH 14MAR2006 PRODUCT SPEC 108-2072 APPLICATION SPEC 114-13056 WEIGHT - CUSTOMER DRAWING		TYPHOON Electronics Harrisburg, PA 17105-3608 NAME: RIGHT-ANGLE PLUG ASSEMBLY CENTER, 20.3mm, MultiGig RT2, DIFFERENTIAL, DAUGHTERCARD CONNECTOR SIZE: 00779 C=1410137 SCALE: 5:1 SHEET 1 OF 1 REV A	
-----------------------	--	--	--	---	--	--	--