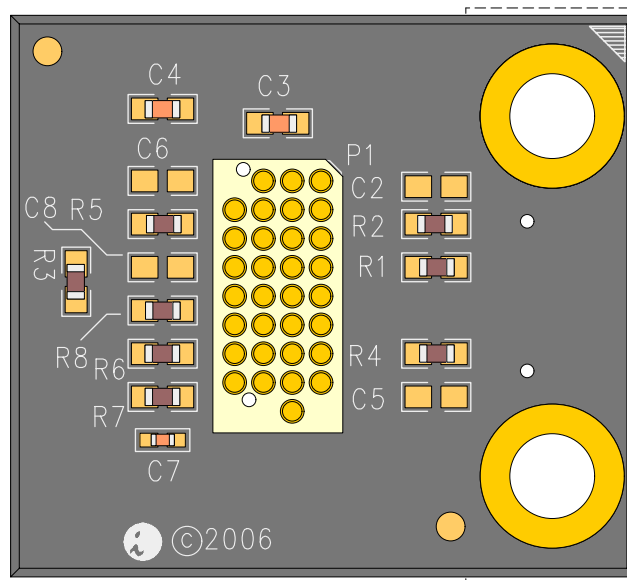
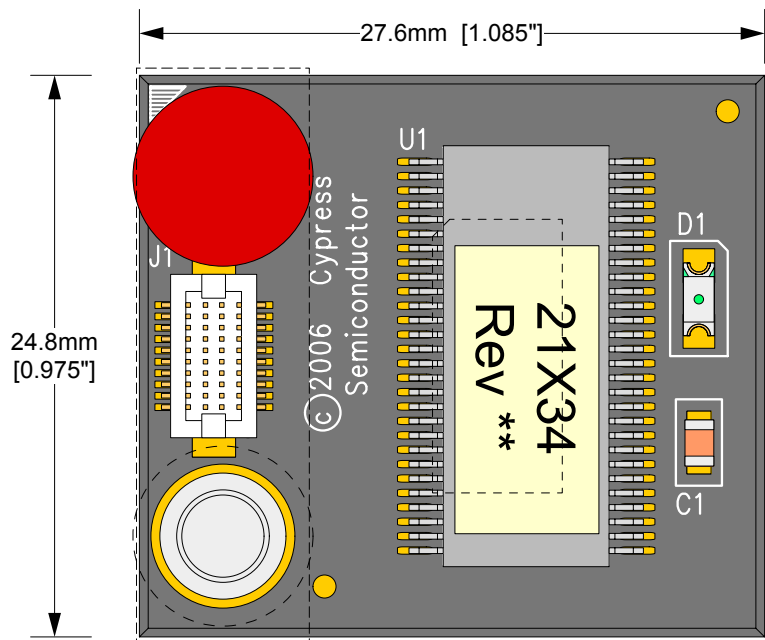
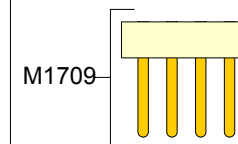
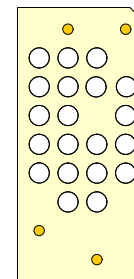


**PROPRIETARY INFORMATION:**

Information contained in this drawing is confidential. Copying, distributing or use in any matter, other than that specified by IRONWOOD ELECTRONICS, INC., is strictly prohibited and may be unlawful. If you have received this drawing in error, please destroy or return to IRONWOOD ELECTRONICS, INC. at the address listed below.



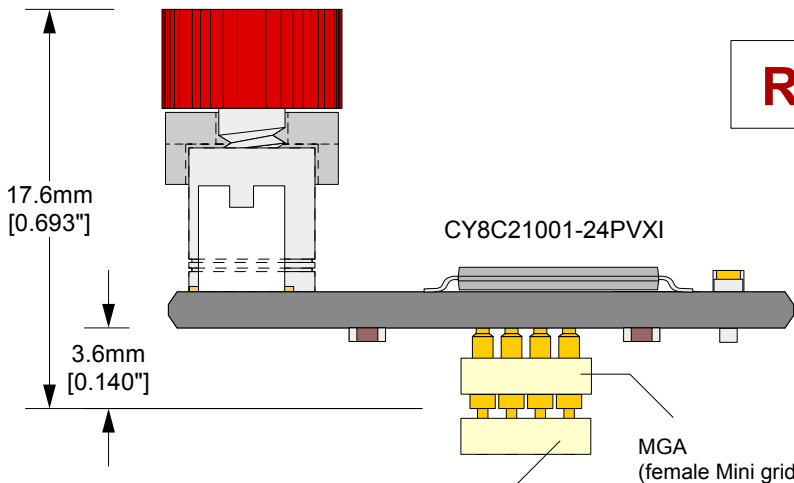
**Foot alignment Mask (plugs onto MGA)**



(for 20 pin feet, included)

Top View

Bottom View



**RoHS COMPLIANT**

**Description:** CY3250-21X34 POD SSOP56 OCD (CY8C21001-24PVXI). Hirose cable connector with retension mechanism included. Compatible with: XT-PSoC-15-20H-10-01 - Flex cable (to ICE cube)


Compatible with the following Non-QFN feet:

- C6822 - SOIC16
- C3845 - SSOP20 foot
- C3846 - SSOP28 foot

Side View

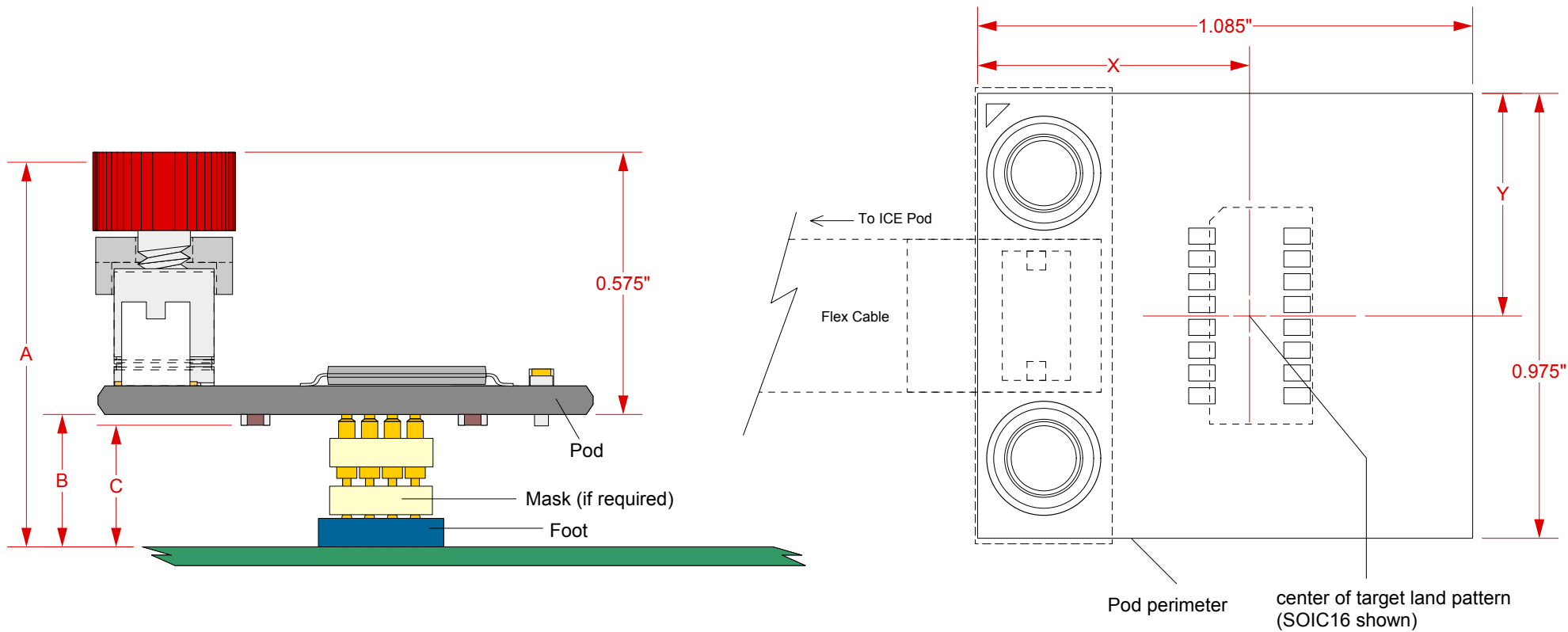
Alignment mask, required for SSOP20 foot

Page: 1 of 2


	<b>EA-8C21034-NQ-01 Drawing</b> © 2006 IRONWOOD ELECTRONICS, INC. PO BOX21151 ST. PAUL, MN 55121 Tele: (651) 452-8100 www.ironwoodelectronics.com	Status:	Scale: 3:1	Rev: C
		Drawing: M. Tully	Date: 7/24/06	
		File: EA-8C21034-NQ-01 Dwg	Modified: 8/17/06, MT	

Tolerances: diameters ±0.03mm [±0.001"], PCB perimeters ±0.13mm [±0.005"], PCB thicknesses ±0.18mm [±0.007"], pitches (from true position) ±0.08mm [±0.003"], all other tolerances ±0.13mm [±0.005"] unless stated otherwise. Materials and specifications are subject to change without notice.

# POD clearance, with respect to center of target pattern



Foot Part number	Description	Mask required	A	B	C	X	Y
C6822	SOIC16 foot	no	0.847"	0.272"	0.247"	0.596"	0.488"
C3845	SSOP 20 foot	yes	0.867"	0.292"	0.267"	0.621"	0.465"
C3846	SSOP28 foot	no	0.847"	0.272"	0.247"	0.622"	0.488"

<b>EA-8C21034-NQ-01 Drawing</b> © 2006 IRONWOOD ELECTRONICS, INC. PO BOX21151 ST. PAUL, MN 55121 Tele: (651) 452-8100 www.ironwoodelectronics.com			Status:	Scale: <u>3:1</u>	Page: <u>2</u> of 2
			Drawing: M. Tully	Date: 7/24/06	Rev: C
			File: EA-8C21034-NQ-01 Dwg	Modified: 8/17/06, MT	

**Tolerances:** diameters  $\pm 0.03\text{mm}$  [ $\pm 0.001$ "],  
 PCB perimeters  $\pm 0.13\text{mm}$  [ $\pm 0.005$ "],  
 PCB thicknesses  $\pm 0.18\text{mm}$  [ $\pm 0.007$ "],  
 pitches (from true position)  $\pm 0.08\text{mm}$  [ $\pm 0.003$ "],  
 all other tolerances  $\pm 0.13\text{mm}$  [ $\pm 0.005$ "]  
 unless stated otherwise. Materials and specifications are subject to change without notice.