

Surface Mount Fuse, 1.05 x 0.55 mm




UL 248-14 · 32 VDC · Super-Quick-Acting FF

**Description**

- UL characteristic
- Directly solderable on printed circuit boards

**Standards**

- UL 248-14
- CSA C22.2 no. 248.14

**Approvals**

- UL File Number: E41599

**Applications**

- Semiconductor Protection
- Digital Consumer Electronics
- Cellular Phone

**References**

[General Product Information](#)

Time-Current Curves see last page

[Packaging Details](#)

**Weblinks**

Approvals: [www.schurter.com/approvals](http://www.schurter.com/approvals)

RoHS: <http://www.schurter.com/rohs>

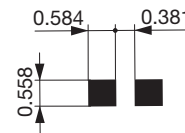
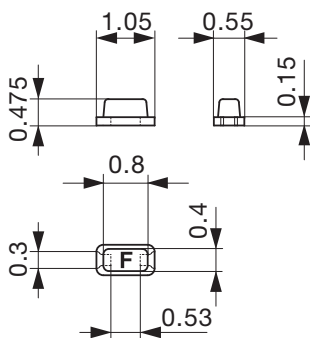
**Technical Data**

Rated Voltage	24 - 32 VDC
Rated Current	0.375 - 5 A
Breaking Capacity	35 A
Characteristic	Super-Quick-Acting FF
Mounting	PCB,SMT
Admissible Ambient Air Temp.	-55 °C to 125 °C
Climatic Category	55/125/21 acc. to IEC 60068-1
Material: Housing	Thermoset
Material: Terminals	Gold-Plated Copper Alloy
Unit Weight	0.004 g
Storage Conditions	0 °C to 60 °C, max. 70% r.h.
Product Marking	Letter (see variants)

Soldering Methods	Reflow
Solderability	245 °C / 3 sec acc. to IEC 60068-2-58, Test Td
Resistance to Soldering Heat	260 °C / 10 sec acc. to IEC 60068-2-58, Test Td
Flammability	min. UL 94V-1 (acc. to EIA/IS-722, Test 4.12)

**Dimensions**

Length H 1.05 mm



Solder pads

**Pre-Arcing Time**

Rated Current In	1.0 x In	2.0 x In
	min	max
0.375 A - 5 A	4 h	5 s

## Variants

Order Number	Rated Current [A]	Rated Voltage [VDC]	Marking	Breaking Capacity	Voltage Drop 1.0 In max [mV]	Voltage Drop 1.0 In typ [mV]	Cold Resistance typ [mΩ]	Melting I <sup>2</sup> t 8.0 In typ [A <sup>2</sup> s]	UL	us	CCC
3414.0112.xx	0.375	32	E	1)	90	70	173	0.003	●	●	●
3414.0113.xx	0.5	32	F	1)	90	67	124	0.004	●	●	●
3414.0114.xx	0.75	32	G	1)	90	63	78	0.009	●	●	●
3414.0115.xx	1	32	H	1)	90	63	57	0.016	●	●	●
3414.0117.xx	1.5	32	K	1)	90	62	37	0.029	●	●	●
3414.0119.xx	2	32	N	1)	90	58	26	0.044	●	●	●
3414.0120.xx	2.5	32	O	1)	90	59	21	0.06	●	●	●
3414.0121.xx	3	32	P	1)	90	52	17	0.098	●	●	●
3414.0123.xx	4	32	S	1)	90	60	13	0.113	●	●	●
3414.0124.xx	5	24	T	2)	90	52	10	0.288	●	●	●

1) 35 A @ 32 VDC

2) 35 A @ 24 VDC

## Packaging Unit

.xx = .22 Blister Tape 18 cm Reel (1000 pcs.)

.xx = .24 Blister Tape 18 cm Reel (5000 pcs.)

.xx = .26 Blister Tape 33 cm Reel (15000 pcs.)

USF 0402

