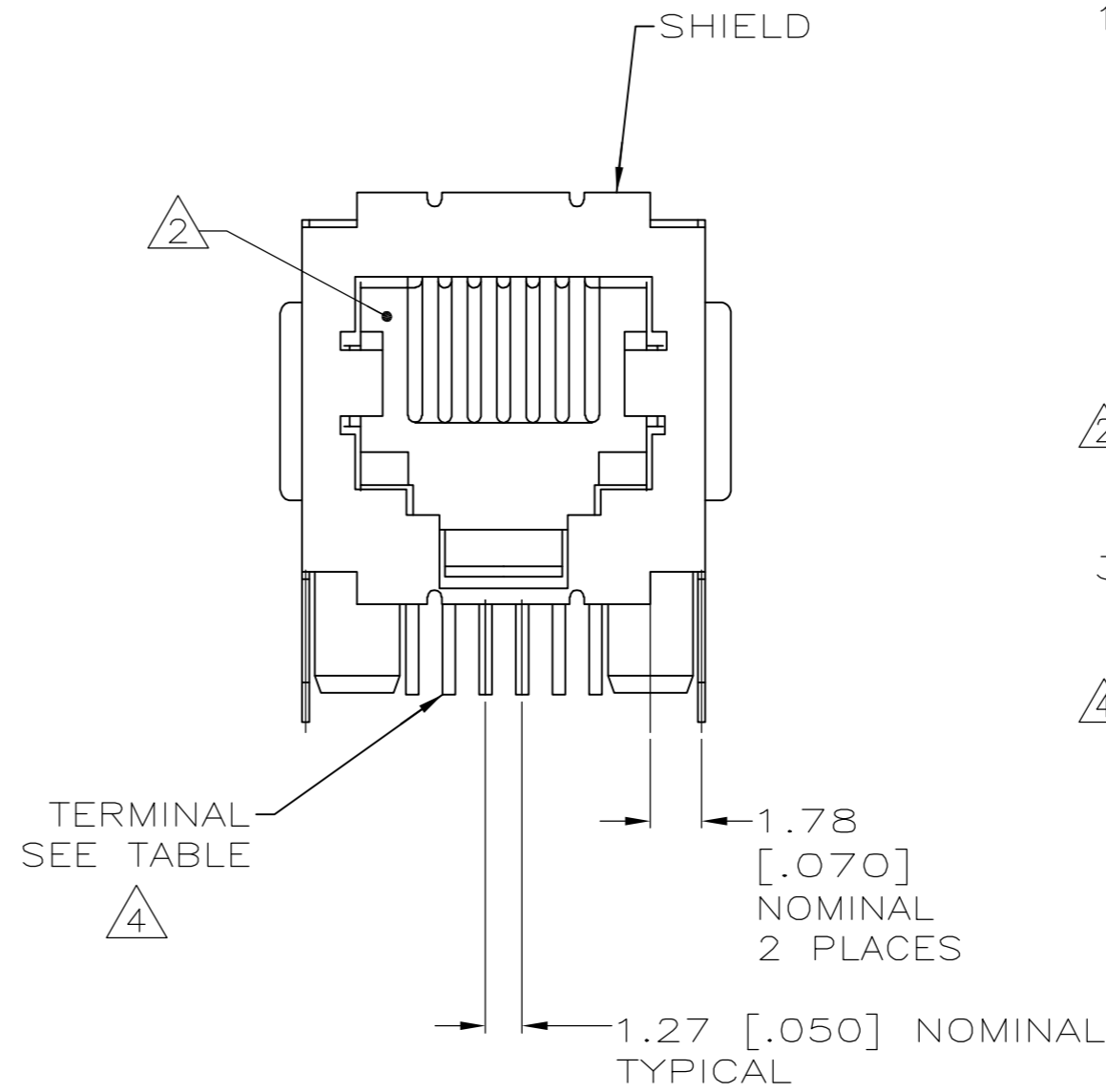
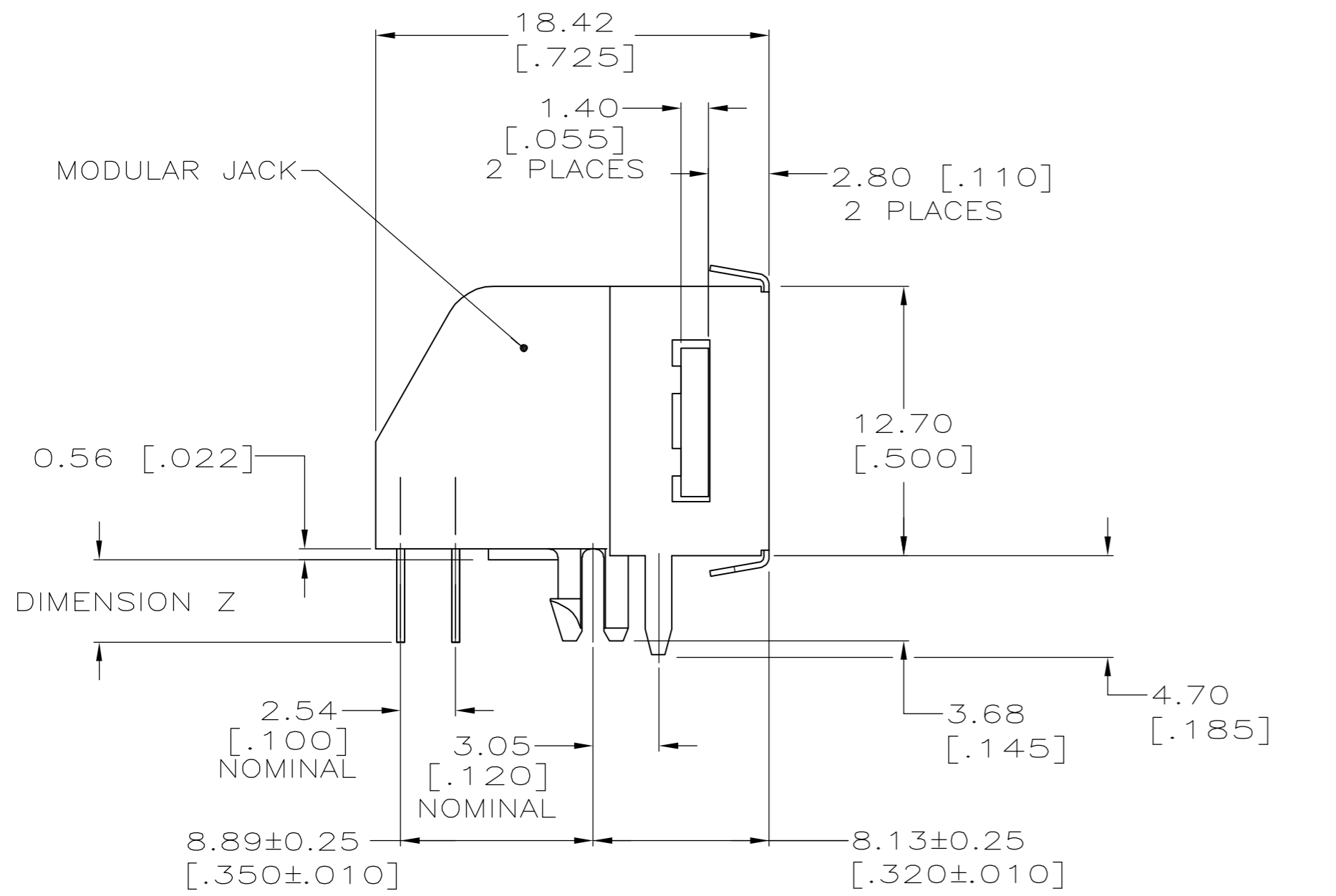
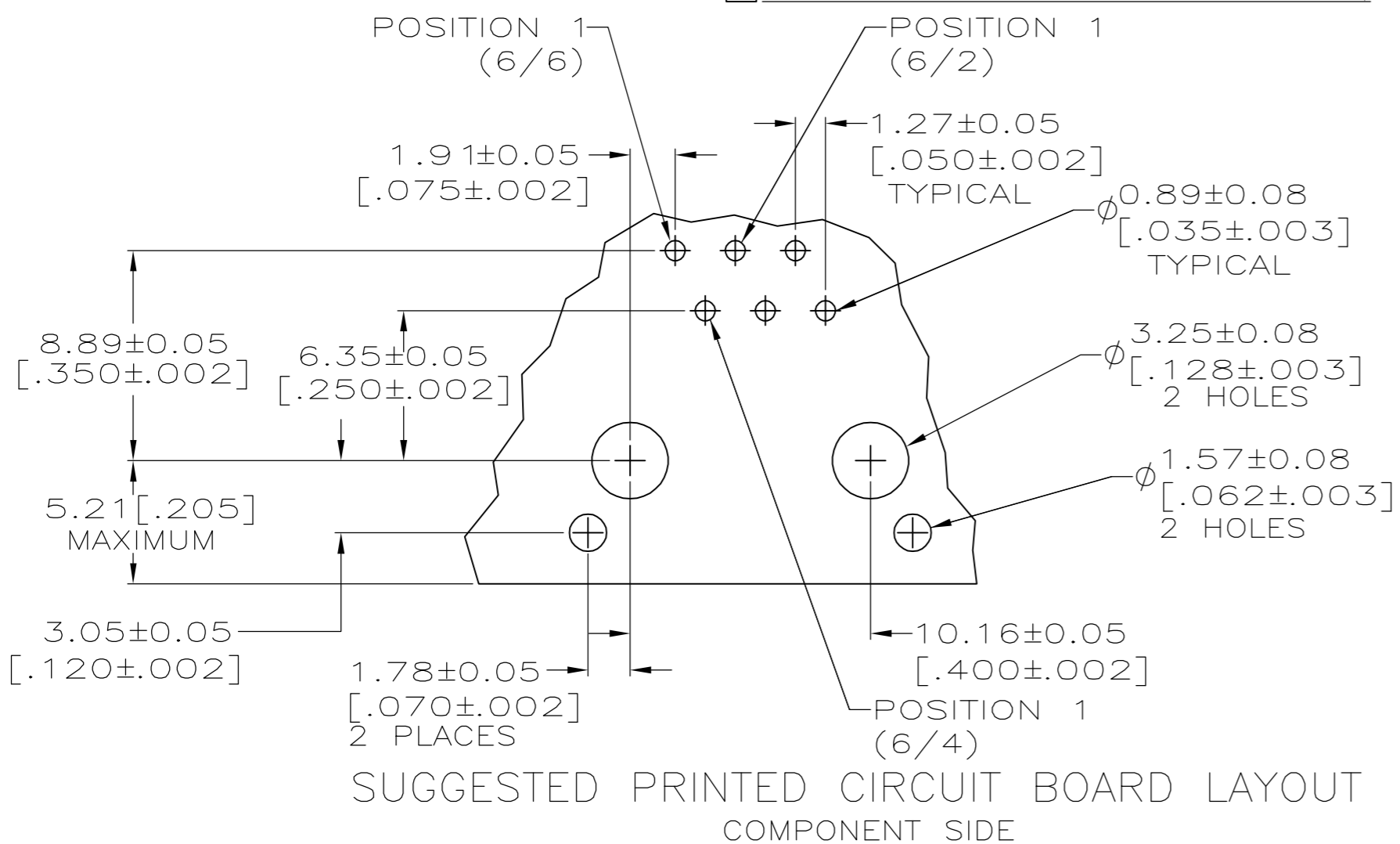
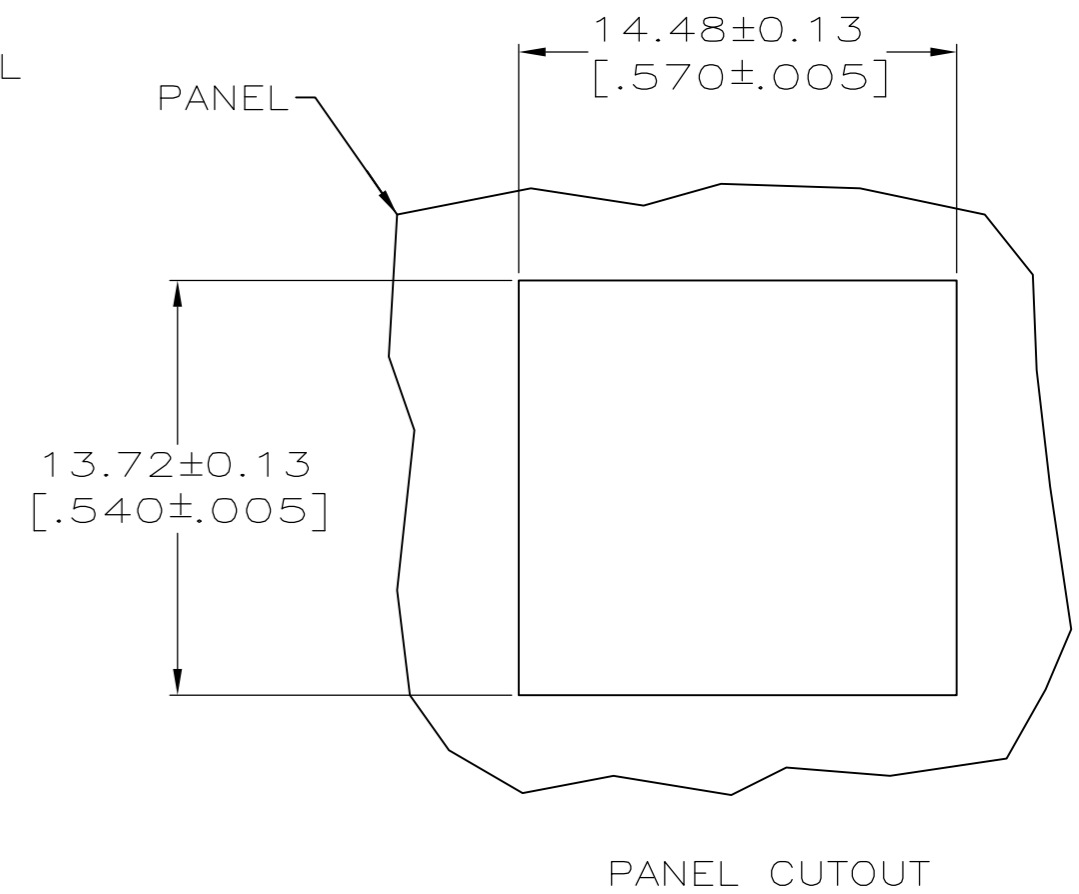
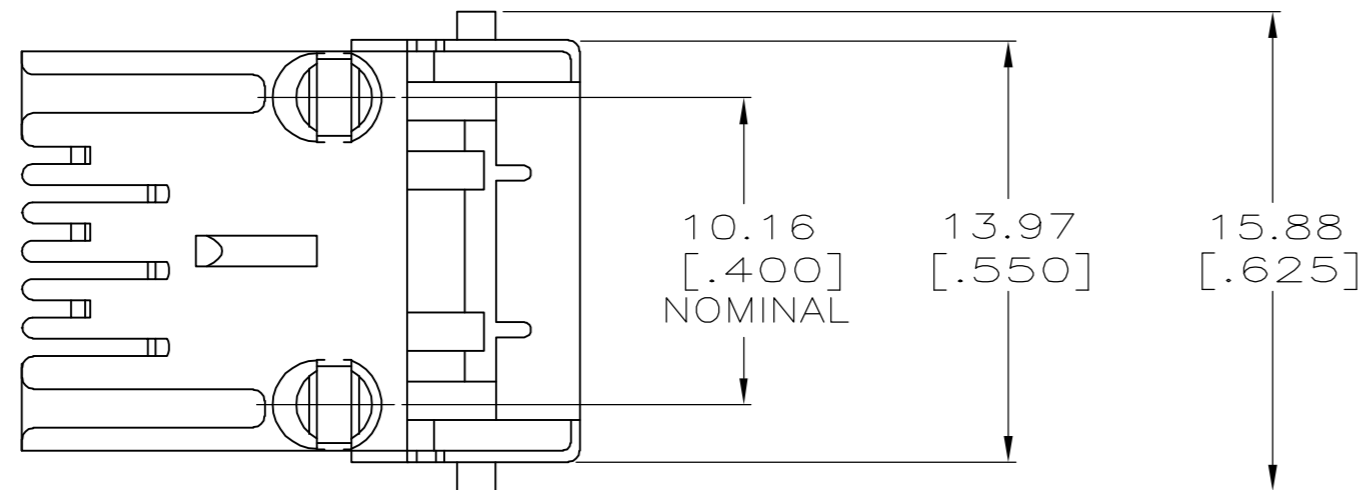


THIS DRAWING IS UNPUBLISHED. RELEASED FOR PUBLICATION
 © COPYRIGHT BY TYCO ELECTRONICS CORPORATION. ALL RIGHTS RESERVED.

LOC	DIST	REVISIONS			
P	LTR	DESCRIPTION	DATE	DWN	APVD
AA	00	B	ECO-06-008001	05APR2006	LAM JW



- MATERIAL: HOUSING - PBT POLYESTER, BLACK. TERMINAL - 0.36[.014] THICK PHOS-BRONZE PLATED WITH 1.27um[.000050] MINIMUM THICK HARD GOLD IN LOCALIZED GOLD PLATE AREA AND 3.81um[.000150] THICK MATTE TIN IN SOLDER AREA OVER 1.27um[.000050] MINIMUM THICK NICKEL UNDERPLATE. SHIELD - 2.03 um [.000080] MINIMUM BRIGHT TIN OVER 1.27 um [.000050] MINIMUM NICKEL.
- CAVITY CONFORMS TO FCC RULES AND REGULATIONS PART 68, SUBPART F.
- ALL DIMENSIONS SHOWN ARE MAXIMUM UNLESS OTHERWISE SPECIFIED.
- TERMINALS FOR 5555140-2 AND 5555140-5 LOCATED IN CENTER POSITIONS.



3.81±0.51 [.150±.020]	2 4	5555140-5
2.54±0.25 [.100±.010]	6	5555140-4
3.81±0.51 [.150±.020]	4 4	5555140-2
3.81±0.51 [.150±.020]	6	5555140-1
DIMENSION Z	TERMINALS REQUIRED	PART NUMBER

THIS DRAWING IS A CONTROLLED DOCUMENT.		DWN G. ATTADIA - DOCK5 07JUN2005	Tyco Electronics Corporation Harrisburg, PA 17105-3608	
DIMENSIONS: mm [INCHES]		CHK J. WESTMAN 07JUN2005	NAME S. FLICKINGER	
TOLERANCES UNLESS OTHERWISE SPECIFIED:		APVD S. FLICKINGER 07JUN2005	PRODUCT SPEC 108-1163	
0 PLC ± -	1 PLC ± -	APPLICATION SPEC 114-2048	SIZE A2	CAGE CODE 00779
2 PLC ± -	3 PLC ± .005	WEIGHT SEE	DRAWING NO C=5555140	RESTRICTED TO -
4 PLC ± -	ANGLES ± -	CUSTOMER DRAWING	SCALE 4:1	SHEET 1 of 1
MATERIAL SEE NOTE 1	FINISH SEE NOTE 1		REV B	