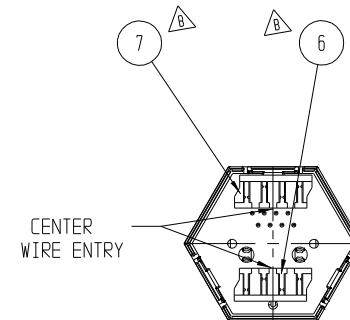
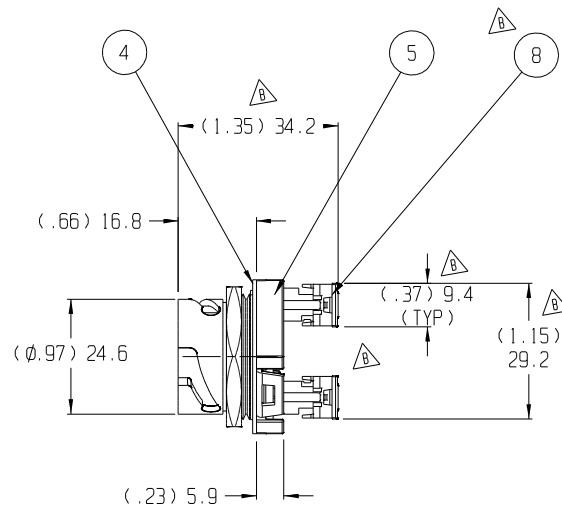
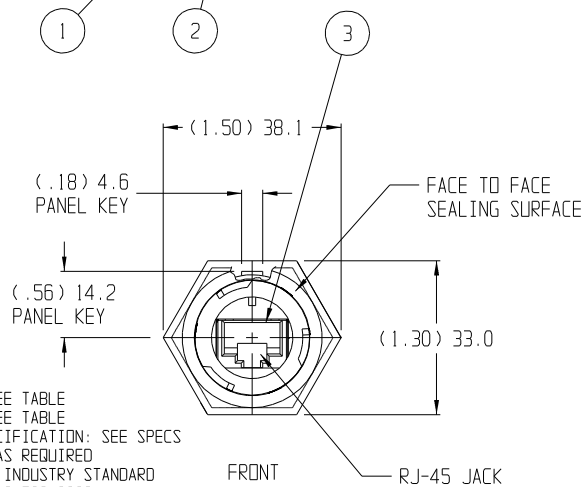


KNOCK OUT SIZE



REAR - STUFFER CAP REMOVED FOR CLARITY

NOTES:

1. MATERIAL: SEE TABLE
2. FINISHES: SEE TABLE
3. PRODUCT SPECIFICATION: SEE SPECS
4. PACKAGING: AS REQUIRED
5. MATES WITH: INDUSTRY STANDARD
6. FORMERLY SD-84702-0008.
7. WIRING POLARIZATION & SEQUENCE PER EIA 568B.

ITEM	QTY.	DESCRIPTION	MATERIAL	FINISH
9	A/R	EPOXY (NOT SHOWN)	-	BLACK
8	2	STUFFER CAP (MPN #201-345)	THERMOPLASTIC	WHITE
7	1	PUNCHDOWN BLOCK	THERMOPLASTIC	WHITE
6	1	PUNCHDOWN BLOCK	THERMOPLASTIC	WHITE
5	1	PCB	FR-4	GREEN
4	1	PANEL GASKET	NEOPRENE	BLACK
3	1	RJ-45 JACK W/PCB MTG	POLYESTER	BLACK
2	1	LOCK NUT	POLYESTER	BLACK
1	1	RECEPTACLE HOUSING	POYESTER	BLACK

11-04-03
RE-RELEASED
S. GILBERT
EC NO.
DRAWN: S. GILBERT
CHK'G:
APPR:

QUALITY SYMBOLS
MAJOR =
CRITICAL C =
SPC S =

GENERAL TOLERANCES: (UNLESS SPECIFIED)
mm INCH
4 PLACES ±.0015
3 PLACES ±.038 ±.005
2 PLACES ±.13 ±.01
1 PLACE ±.3
ANGULAR: ±2°
DRAFT WHERE APPLICABLE MUST REMAIN WITHIN DIMENSIONS

SCALE FULL
DESIGN UNITS mm INCH
DRAWN BY & DATE S. GILBERT 9-08-03
CHECKED BY & DATE
APPROVED BY & DATE
CAD FILENAME SD-84702-005
MATERIAL NO. 847020008
DRAWING NO. SD-84702-005

THIRD ANGLE PROJECTION
TITLE: PANEL MTG. RECEPTACLE, RJ-45, PUNCHDOWN, FULLY POTTED, CIC INDUSTRIAL ETHERNET
MOLEX INCORPORATED

PROJECT NO. PPR 03-42
DIMENSIONS: mm INCH mm ONLY
SHT 1 REV -
REVISE ON CAD ONLY
SHEET NO. 1 OF 1
SIZE B

THIS DRAWING CONTAINS INFORMATION THAT IS PROPRIETARY TO MOLEX INCORPORATED AND SHOULD NOT BE USED WITHOUT WRITTEN PERMISSION.