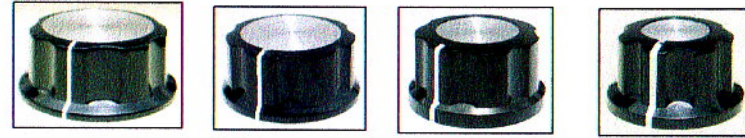
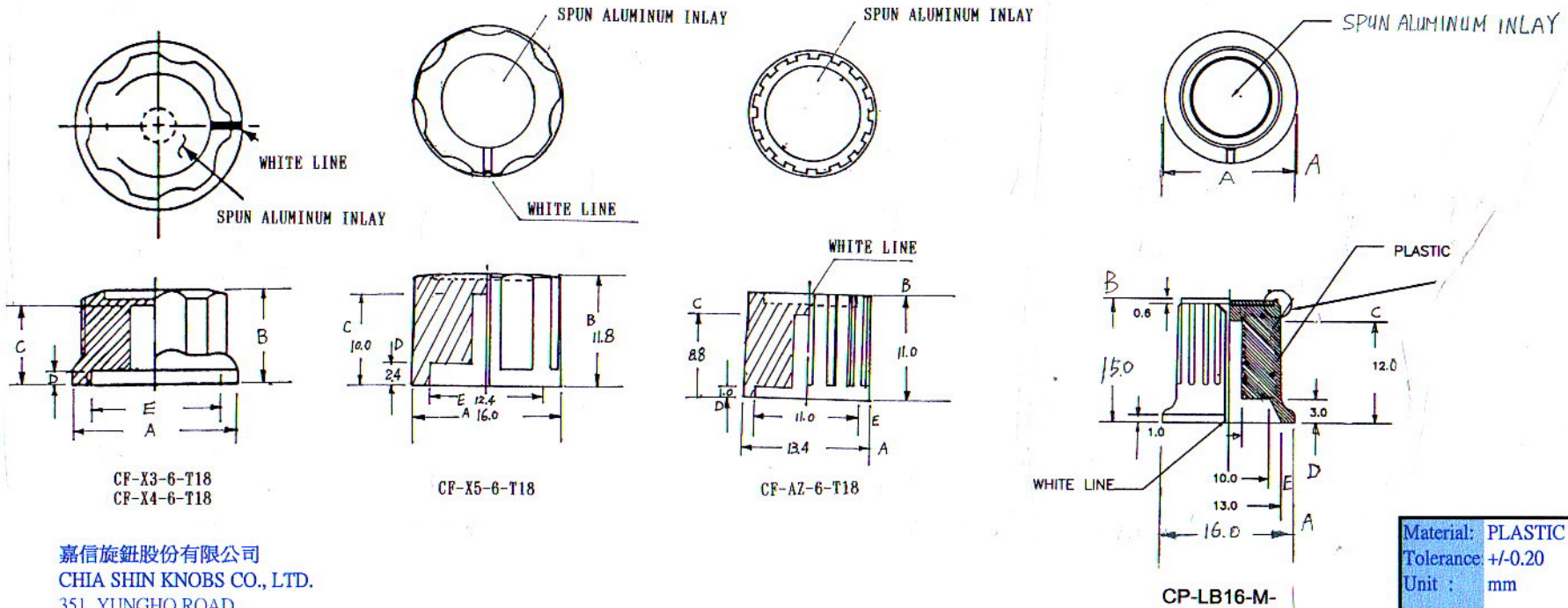


P/N	A	B	C	D	E	Shaft
CF-X1-M-	45.0	20.3	18.5	4.5	33.9	T18 & 6.4mm
CF-X2-M-	33.0	16.2	13.5	4.5	25.0	T18 & 6.5mm
CF-X3-M-	27.0	16.0	13.8	3.8	21.7	T18 & 6.6mm
CF-X4-M-	20.0	12.0	10.0	1.8	13.8	T18 & 6.7mm
CF-X5-M-	16.0	11.8	10.0	2.4	12.4	T18 & 6.8mm
CF-AZ-M-	13.4	11.0	8.8	1.0	11.0	T18 & 6.9mm
CP-LB16-M-	16.0	15.0	12.0	3.8	12.0	T18 & 6.10mm

CF-X1-M- CF-X2-M CF-X3-M CF-X4-M



CF-X5-M CF-AZ-M CP-LB16-M



嘉信旋鈕股份有限公司
CHIA SHIN KNOBS CO., LTD.
351, YUNGHO ROAD,
CHUNGHO CITY,
TAIPEI HSIEN,
TEL: (02)2225-1216~7
FAX: (02)2222-7312

Material: PLASTIC
Tolerance: +/-0.20
Unit : mm

P/N:	
CHIA SHIN P/N:	M SERIES

Date: 1-Sep-07