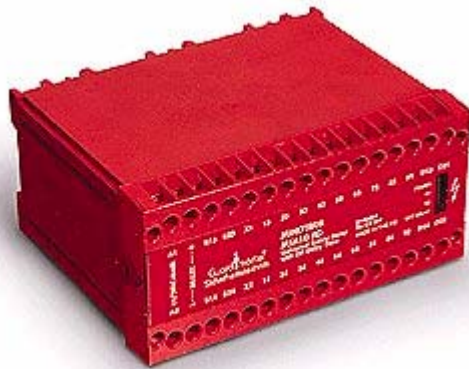


Minotaur
MSR10RD



Contacts:

8 Safety, 1 off Delay Safety + 2 Aux (outputs)



Protection: IP20

Conduit Entries: N/A

Fixing: 35mm DIN Rail

Switching Capacity: 250V AC, 4A 30V DC, 2A

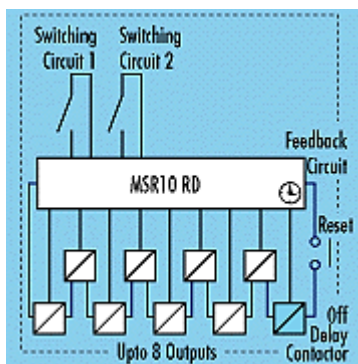
Conformity to Standards: EN60204-1, EN954-1

EMC Tested: EMC

Comments: Can be used with PLC's Failsafe internal monitoring, monitors 2 safety inputs

Approx. Dimensions: 73 x 152 x 118mm

Application Examples:



Ordering Details

Type: 24V AC/DC
110V AC, 230V AC

Part No.: 23029

[Installation sheet \(PDF\)](#) - (114K)

(To view the Installation sheet you will need the Acrobat reader/plug in).

For a more detailed dimension drawing in DXF format,
Please contact [Guardmaster](#) Technical Support.
