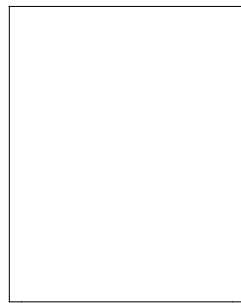


PART No. 1401C

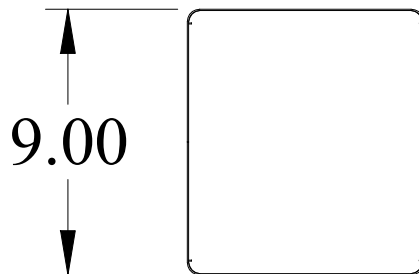
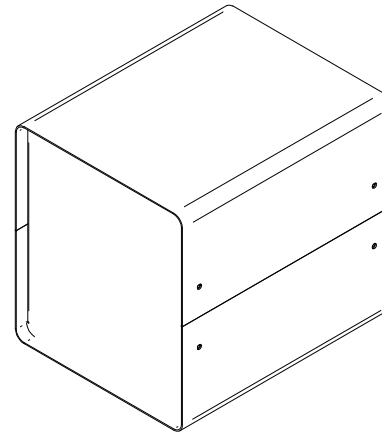
for more information visit
www.hammondmfg.com

Data subject to change without notice

ISOMETRIC VIEW NOT TO SCALE

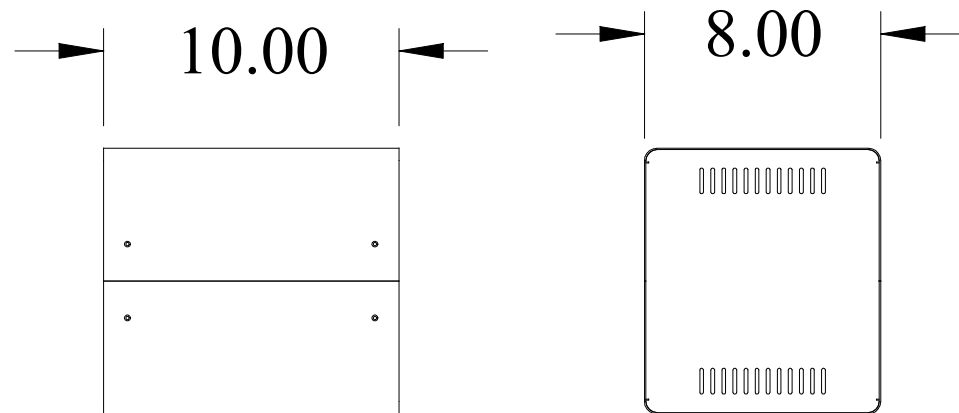


TOP



9.00

FRONT



10.00

8.00

SIDE

REAR