

**MICRO SWITCH**  
a Honeywell Division

FED. MFG. CODE 91929

ASSEMBLY—SWITCH

CATALOG LISTING

22AC2

KC-Q0020

CATALOG LISTING  
22AC2

PAGE 1 OF 1

ISSUE  
4

REPLACES

RELEASE NO. SR-8863

CHECK

REVISIONS  
A CO-83637  
K D R  
4 OCT 96

CHECK

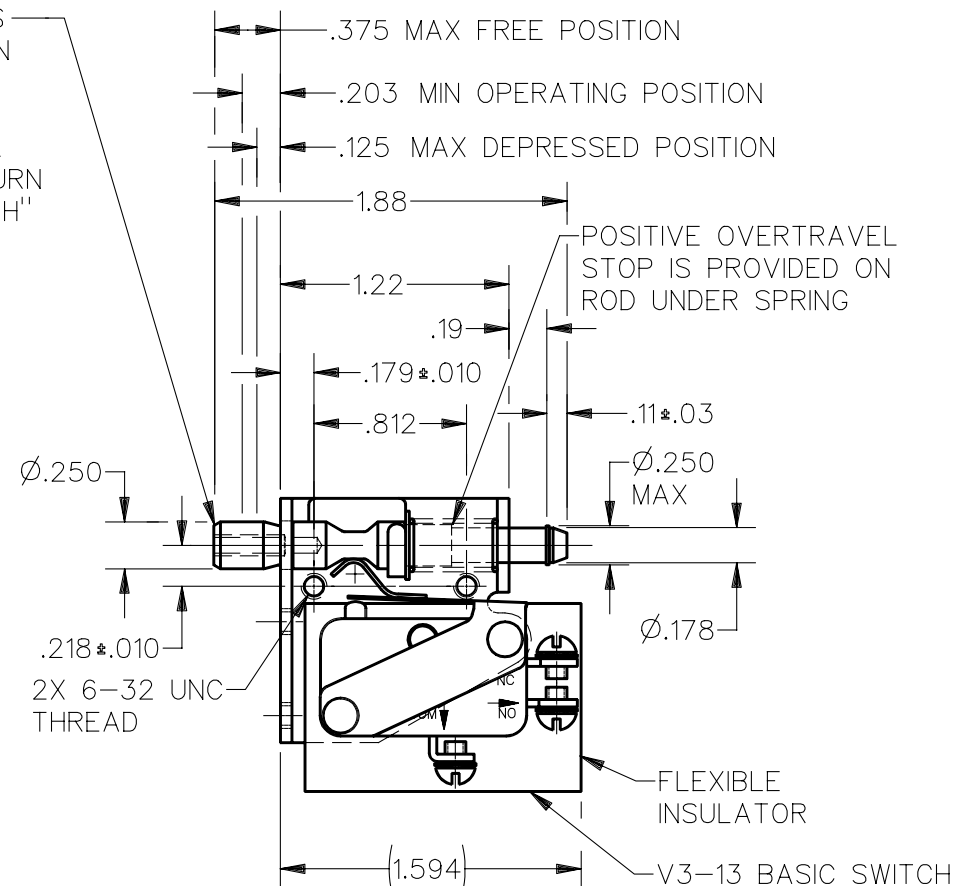
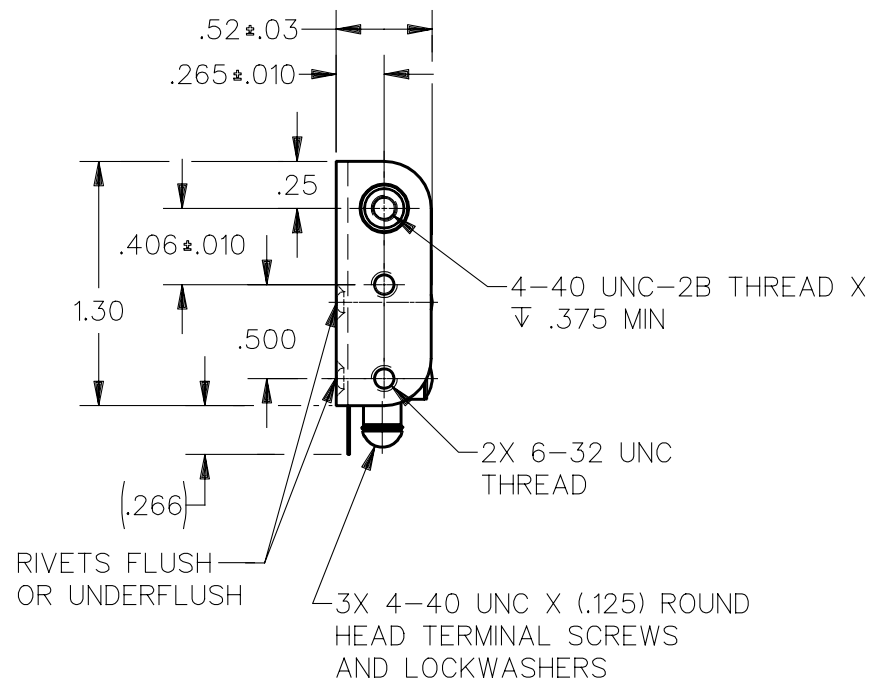
CHECK

DDM/CAD

DRAWN

K D R 4 OCT 96

PUSH TO OPERATE—RETURNS  
AUTOMATICALLY TO POSITION  
SHOWN  
PULL TO OPERATE—REMAINS  
IN OPERATED POSITION UNTIL  
RESET FOR AUTOMATIC RETURN  
BY NEXT FULL STROKE "PUSH"  
OPERATION

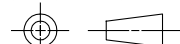


NOTES

- 1 - NOTCH IN ACTUATOR ROD WILL PERMIT .035 DISPLACEMENT BETWEEN END OF ROD AND HOLE IN BRACKET
- 2 - BASIC SWITCH PLASTIC PARTS ARE MADE OF MINERAL FILLED PHENOLICS
- 3 - ACTUATOR ROD MADE OF HIGH STRENGTH PLASTIC
- 4 - WITH ROD IN EITHER ACTUATED POSITION, BASIC SWITCH PLUNGER MUST HAVE .015 MIN OVERTRAVEL AND WITH ROD IN FREE POSITION BASIC SWITCH PLUNGER MUST HAVE .005 MIN RELEASE TRAVEL

THIS DRAWING COVERS A PROPRIETARY ITEM AND IS THE PROPERTY OF MICRO SWITCH, A DIVISION OF HONEYWELL. THIS DRAWING IS NOT TO BE COPIED OR USED WITHOUT THE APPROVAL OF MICRO SWITCH

THIRD ANGLE PROJECTION



CHARACTERISTICS

TOTAL TRAVEL  
 .250 APPROX PUSH DIRECTION  
 .187 APPROX PULL DIRECTION  
 FULLY DEPRESSED FORCE— — — 4 LBS MAX  
 BREAK DISTANCE — — — .040 APPROX

ELECTRICAL DATA

CONTACT ARRANGEMENT  
 S P D T

15.1A 1/2HP 125, 250 VAC  
 1/2A 125 VDC, 1/4A 250 VDC  
 5A 125 VAC "L"

SCALE FULL

DO NOT SCALE PRINT

UNLESS OTHERWISE SPECIFIED  
 TOLERANCES ARE

ONE PLACE (.0) ± .030  
 TWO PLACE (.00) ± .015  
 THREE PLACE (.000) ± .005  
 ANGLES ±

WEIGHT

ANSI Y14.5M-1982 APPLIES