



WOLF ATEX SAFETY TORCHES



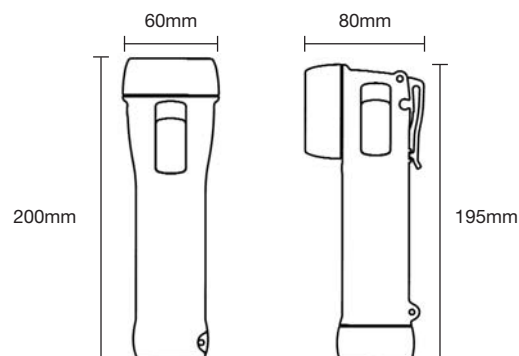
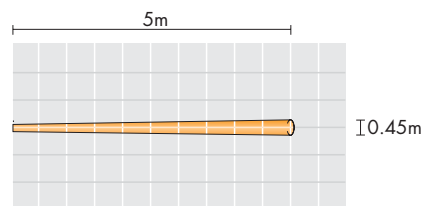
- T6 and T4 models
- Simple, robust design
- Ultimate halogen light output
- High energy alkaline cell certified
- ATEX explosive gas and dust approval
- Low power indicator option



TS-26 & TR-26
1.2W beam (approx 5°)
Peak luminous intensity at 5m, **170 lux**

TS-24 & TR-24
1.7W beam (approx 5°)
Peak luminous intensity at 5m, **230 lux**

TS-24+ & TR-24+
2.0W beam (approx 5°)
Peak luminous intensity at 5m, **280 lux**



The Wolf ATEX Safety Torch range offers the perfect answer for every Ex application, with reliable, simple and cost effective solutions. The range includes T4 and T6 models with straight or right-angle body style.

T4 models give outstanding light output using advanced, long life halogen or xenon bulbs, set in a high quality parabolic reflector, coupled with alkaline cell approval, giving up to 12 hours of light output. The T4 halogen models are fitted with a low power warning circuit, illuminating a red indicator when battery voltage is low. Alternatively T6 approval allows use in any Zone 1 or 2 atmospheres, with optimum light output in this temperature class, and a 5 hour duration.

The Wolf ATEX Torch range is CE marked compliant with the 94/9/EC ATEX Explosive Atmospheres Equipment Directive. BASEEFA Certification is to the latest standards, for use in potentially explosive gas, vapour and mist atmospheres, zones 1 and 2, temperature class T6 or T4. Dust ignition protection covers use in zones 21 and 22, with the certified maximum surface temperatures of 65°C or 95°C. Temperature ambient use is from – 20°C to a maximum of 40°C or 55°C, as specified in the instructions.

The compact Wolf ATEX Torch design has a high-grip ergonomic form with easy single handed switching, even with gloved hands. The torch body offers high strength,

and proven impact resistance even at sub zero temperatures, using carefully selected thermoplastic resins with excellent chemical resistance. Additionally, the rubber armoured lens ring and end cap give enhanced grip and shock protection. The shatterproof polycarbonate lens has a scratch and chemical resistant coating. The Wolf ATEX Torch range is sealed dust tight and protected from water immersion, with a certified IP67 enclosure. Right angle models incorporate a replaceable high strength thermoplastic belt clip for hands free use. Both models allow straightforward battery and bulb replacement, a spare bulb is fitted in the bulbholder for quick and convenient replacement. All models are supplied with wrist straps and clip rings.

| Wolf ATEX Safety Torches | | | | | | |
|---------------------------------|---|-------------------------------|--|------------------------------------|-----------------------------|------------------------------|
| Technical Specification | | | | | | |
| Model | TS-26 | TR-26 | TS-24 | TR-24 | TS-24+ | TR-24+ |
| Description | Safety Torch, Primary Cell Powered, Straight or Right-Angle | | | | | |
| | Straight T6 | R/Angle T6 | Straight T4 | R/Angle T4 | Straight T4+ with indicator | R/Angle T4+ with indicator |
| Code | Ⓔ II 2 GD EEx e ib IIC T6 IP67 T65°C | | Ⓔ II 2 GD EEx e ib IIC T4 (Tamb = 40/55°C) IP67 T95°C (Tamb = 55°C) | | | |
| Equipment category | 2 GD | | | | | |
| Apparatus standard | EN50014, EN0019, EN50020, EN50281-1-1 | | | | | |
| Type of protection | Increased safety, intrinsic safety | | | | | |
| Area of classification (gas) | Zones 1 & 2 Gas Groups IIA, IIB, IIC | | | | | |
| Temperature class (gas) | T6 | | | T4 | | |
| Ambient temperature (gas) | -20°C to +40°C | | | -20°C to +40°C/+55°C | | |
| Area of classification (dust) | Zones 21 and 22 | | | | | |
| Temperature class (dust) | 65°C | | | 95°C | | |
| Ambient temperature (dust) | -20°C to +40°C | | | -20°C to +55°C | | |
| Certificate | BAS 02 ATEX 2220X | | | | | |
| Enclosure | Impact resistant thermoplastic, electrostatic non-hazardous | | | | | |
| Lens | Polycarbonate, impact resistant with hard coat | | | | | |
| Beam type | Medium spot | | | | | |
| Light source: | Pt. no. | TP-406 | | TP-404 | | TP-402 |
| | Type | Vacuum filament bulb | | Xenon filled filament bulb | | Halogen filled filament bulb |
| | Rating | 2.4V, 0.5A | | 2.4V, 0.7A | | 2.4V, 0.83A |
| | Output | 11.4 lm (at nom voltage) | | 15 lm (at nom voltage) | | 23 lm (at nom voltage) |
| | Life | 15 hrs | | 50 hrs | | 30 hrs |
| | Spare bulb | TP-406 | | TP-404 | | TP-404 |
| Power supply | Pt. no. | T-20 | | H-20 | | |
| | Type | R20 primary cells to IEC60086 | | R20/LR20 primary cells to IEC60086 | | |
| | Volts | 2 x 1.5v | | 2 x 1.5v | | |
| Light duration | Up to 5 hrs | | Up to 12 hrs | | Up to 10 hrs | |
| Ingress protection | IP67 to EN60529: 1992 | | | | | |
| Weight (without cells) | 150g | 190g | 150g | 190g | 150g | 190g |

Note: All information has been gathered under laboratory conditions, the user must regard the values given as approximate. The Company reserves the right to alter product specifications without prior notice.

WOLF SAFETY LAMP COMPANY

Saxon Road Works, Sheffield S8 0YA, England

Tel: +44 114 255 1051 Fax: +44 114 255 7988

E-mail: info@wolf-safety.co.uk Website: www.wolf-safety.co.uk

MMD/N/.8.02/2K



Wolf Safety Lamp Company