

## FFS Series

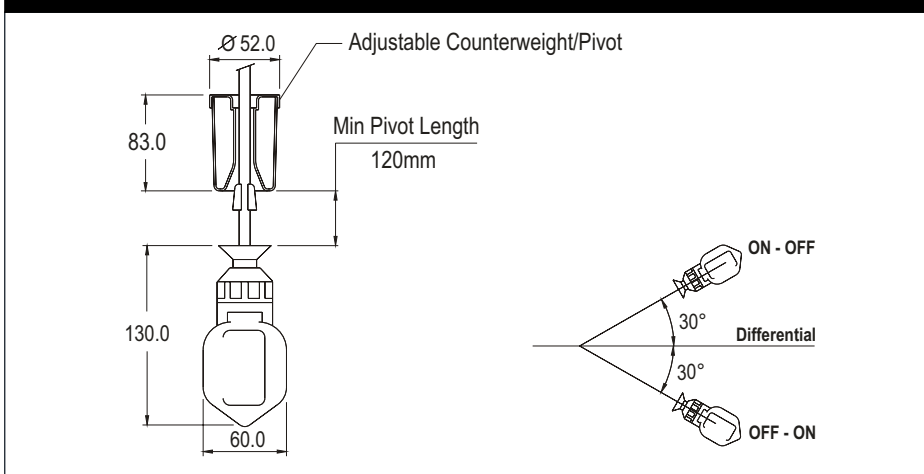
The FFS series of cable end float switches are designed for controlling levels in large tanks, cisterns or reservoirs and can be directly installed on submersible pumps. The casing is manufactured in blow moulded Polyethylene (PEHD), with 5m PVC cable with protective earth conductor as standard. The switching element is a microswitch, with UL, VDE and CENELEC approvals, activated by a moving stainless steel ball and having an electrical life of 200,000 operations. Non hygroscopic closed cell expanded polyurethane is injected around the switch housing within the outer casing, hermetically sealing the unit. It is capable of working down to 100 metres depth in water.

Other models, including versions for use in fuel oils, are available. Please contact our sales office for details.

### Technical Specifications

Farnell stock number	424-9197	424-9203	424-9215	424-9227	424-9239	424-9240
Crydom Part	FFS10A	FFS10B	FFS10C	FFS20A	FFS20B	FFS20C
Contact Form	N/O	N/C	C/O	N/O	N/C	C/O
Switching Current Max. Resistive	10A			20A		
Switching Current Max.	AC	4A			8 A	
	Inductive DC	1A			2A	
Power Rating	AC VA	750			1500	
	DC W	180			360	
Switching Voltage	AC V	250				
	DC V	110				
Cable Material	PVC					
Cable length	Standard length 5 metres					
Body Material	High Density Polyethylene					
Temp Range	°C	0 / +55				
	°F	+ 32 / +131				
Max. working pressure	bar	10				

### MECHANICAL



Every effort has been made to ensure that the descriptions and specifications quoted are correct, however, no liability can be accepted for any errors or omissions in this data. The detail specifications are subject to change without prior notice.

FFS2002Farnell

**CRYDOM**

Control over power



- **Direct power switching**
- **Cable mounting**
- **100 metre depth capability**

Crydom Magnetics Ltd  
7 Cobham Road  
Ferndown Industrial Estate  
Wimborne  
Dorset Bh21 7PE  
Tel: +44 (0)1202 897969  
Fax: +44 (0)1202 891918  
magnetics@crydom.com  
www.crydom.co.uk