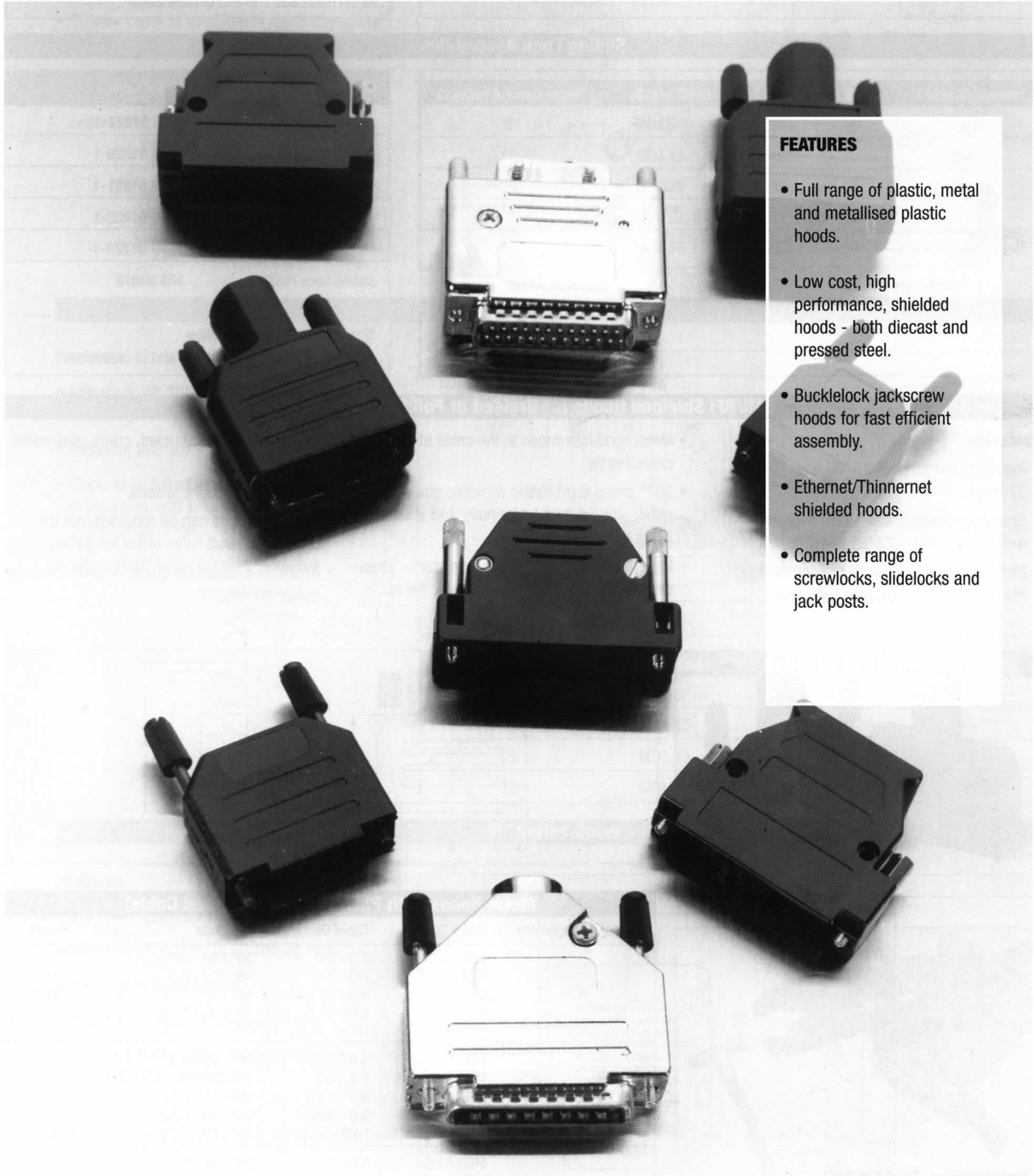


D ACCESSORIES

Suitable For All McMurdo D
Sub-miniature Connectors

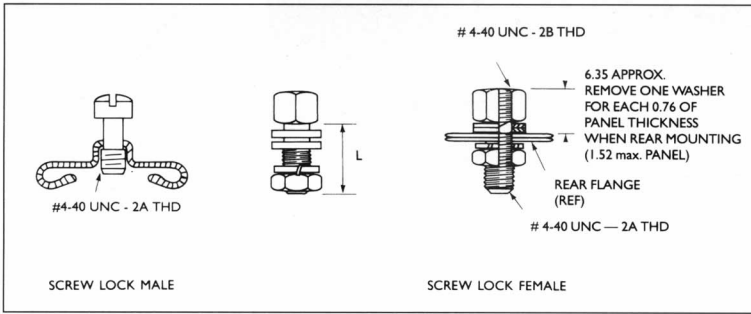


FEATURES

- Full range of plastic, metal and metallised plastic hoods.
- Low cost, high performance, shielded hoods - both diecast and pressed steel.
- Bucklelock jackscrew hoods for fast efficient assembly.
- Ethernet/Thinnernet shielded hoods.
- Complete range of screwlocks, slidlocks and jack posts.

McMurdo

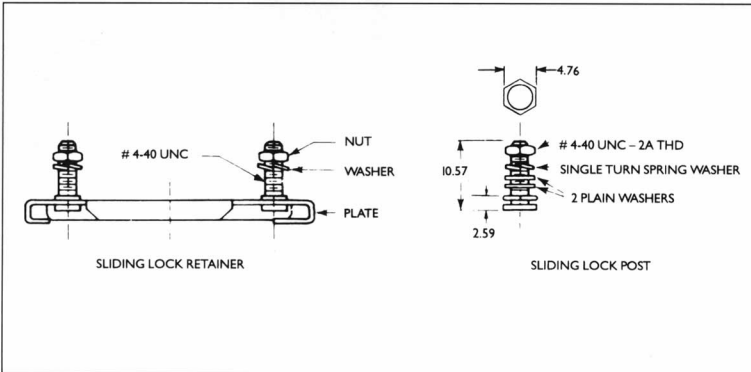
Screw Lock Assemblies



Order Code	Type	
MD 20419	Male	Fits shell sized 9-37 way
MD 20420	Male	Fits shell size 50 way
MD 20418-2	Female	L = 7.9mm
MD 20418L-2	Female	L = 14.5mm

(All the above are supplied in pairs)
Standard finish is zinc/yellow chromate, for tin finish add **T** to end of order code.

Sliding Lock Assemblies



Contact Arrangements	Order Code
9	MDE 51224-1
15	MDA 51220-1
25	MDB 51221-1
37	MDC 51222-1
50	MDD 51223-1
Sliding Lock Post* (supplied in pairs)	MD 53018

*Standard finish is zinc/yellow chromate, for tin finish add **T** to end of order code.

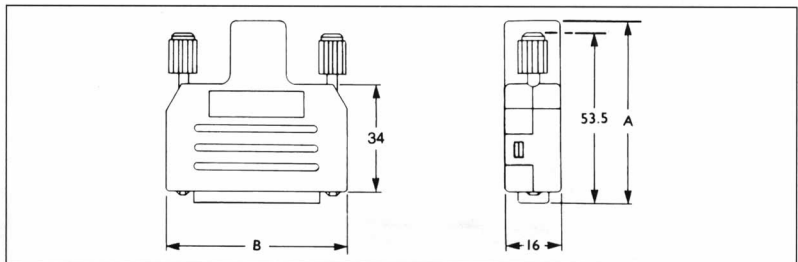
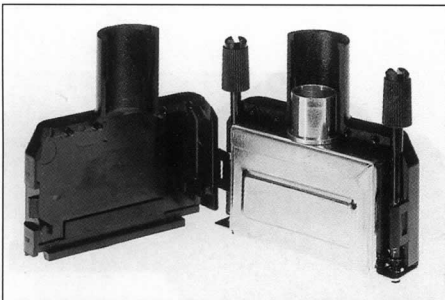
EMI/RFI Shielded Hoods for Braided or Foil Shielded Cables

Features

- Available in 4 sizes 9, 15, 25 and 37 ways.
- Shielding effectiveness: 40dB over the frequency range 100MHz to 1GHz.
- Metal ferrule for use with braided cables. Plastic ferrule for use with foil cables.

- Metal hood is crimped to the cable at cable entry.
- 360° crimp termination provides strain relief, plus excellent continuity and shielding integrity.
- Material: zinc plated low carbon steel - gives excellent protection from magnetic fields.

- Suitable for solder bucket, crimp, and metal IDC connectors.
- Compact to fit tight spaces.
- Company logos can be moulded into the covers - consult sales office for details.
- Available in standard black, or your company colour on request.



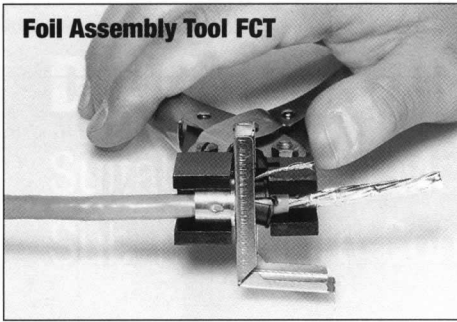
Hand Crimp Tool MP737

The hand crimp tool has interchangeable die sets for various sizes of cable, see table for correct die set code.

Metal Hoods With Plastic Covers (Braided Cable)

Contact Arrangement	Order Code	Cable Diameter	Die Code	A mm	B mm
9	MDE 5.0CK	5.5 - 7.0	MP 738 - 8.0	56.5	35.0
	MDE 6.5CK	7.0 - 8.0	MP 738 - 9.0		
	MDE 7.0CK	8.0 - 10.0	MP 738 - 11.6		
	MDE 7.4CK	9.0 - 10.5	MP 738 - 12.0		
	MDE 8.6CK	10.5 - 11.2	MP 738 - 12.5		
15	MDA 5.0CK	5.5 - 7.0	MP 738 - 8.0	57.5	43.0
	MDA 6.5CK	7.0 - 8.0	MP 738 - 9.0		
	MDA 7.0CK	8.0 - 10.0	MP 738 - 11.6		
	MDA 7.4CK	9.0 - 10.5	MP 738 - 12.0		
	MDA 8.6CK	10.5 - 11.2	MP 738 - 12.5		
25	MDB 5.0CK	5.5 - 7.0	MP 738 - 8.0	57.5	53.0
	MDB 6.5CK	7.0 - 8.0	MP 738 - 9.0		
	MDB 7.0CK	8.0 - 10.0	MP 738 - 11.6		
	MDB 7.4CK	9.0 - 10.5	MP 738 - 12.0		
	MDB 8.6CK	10.5 - 11.2	MP 738 - 12.5		
37	MDC 5.0CK	5.5 - 7.0	MP 738 - 8.0	57.5	74.0
	MDC 6.5CK	7.0 - 8.0	MP 738 - 9.0		
	MDC 7.0CK	8.0 - 10.0	MP 738 - 11.6		
	MDC 7.4CK	9.0 - 10.5	MP 738 - 12.0		
	MDC 8.6CK	10.5 - 11.2	MP 738 - 12.5		

Foil Assembly Tool FCT



Metal Hoods With Plastic Covers (Foil Shielded Cable)

Contact Arrangement	Order Code	Cable Diameter	Assembly Tool	A mm	B mm
9	MDFE TELCK	3.0 - 5.0	No tool required	56.5	35.0
	MDFE 7NCK	6.5 - 7.5			
	MDFE 8.6CK	4.0 - 8.6	FCT		
15	MDFA TELCK	3.0 - 5.0	No tool required	57.5	43.0
	MDFA 7NCK	6.5 - 7.5			
	MDFA 8.6CK	4.0 - 8.6	FCT		
25	MDFB TELCK	3.0 - 5.0	No tool required	57.5	53.0
	MDFB 7NCK	6.5 - 7.5			
	MDFB 8.6CK	4.0 - 8.6	FCT		
37	MDFC TELCK	3.0 - 5.0	No tool required	57.5	74.0
	MDFC 7NCK	6.5 - 7.5			
	MDFC 8.6CK	4.0 - 8.6	FCT		

Screened Hoods for Ethernet & Thinnernet

Features

- Fast easy assembly with security.
- Cable screens separated by PES ferrule.
- Simple termination of metal hood to D-type connector.
- Plastic cover has threaded metal inserts for

slidelock assembly screws and secure cable sheath clamping.

- Plastic covers supplied in your company colour on request.
- Your company logo can be moulded in - consult sales office for details.

• Plastic slidelock covers essential for installation to IEEE 802.3.

- McMurdo hoods are fully tested and approved to IEEE 802.3 and form part of the safety ground.



Top-entry and side-entry hoods with slidelock accessories fitted.

All hoods available with Jackscrew covers to special order.

Ethernet Hoods with Slidelock Assembly

Colour	Entry	Order Code	Assembly Tool	For Cable
Black*	Top	MDATR11.7SLCK	DTCT - 12.5	Belden 9901 or similar class 2 or IEEE 802.3 mini transceiver cable
	Side	MDASR 11.7SLCK		diameter 10-11mm

Thinnernet Hoods with Slidelock Assembly

Colour	Entry	Order Code	Assembly Tool	For Cable
Black*	Top	MDATR8.1SLCK	DTCT - 9.0	Belden 9903 or similar class 2 or IEEE 802.3 mini transceiver cable
	Side	MDASR8.ISLCK		diameter 6.0-7.7mm

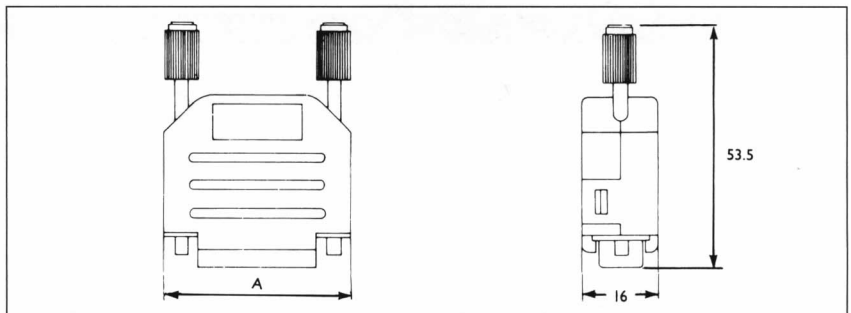
* Contact sales office for alternative colour details.

Buckle Lock Jackscrew Plastic Cover



Features

- Available in 4 sizes: 9, 15, 25 and 37 ways.
- Quick assembly - cover snaps firmly together.
- Compact to fit tight spaces.
- Easy to use long jackscrews.
- Material: thermoplastic rated UL94 V-2.
- Available in your company colour on request.
- Company logos can be moulded into the covers - consult sales office for details.



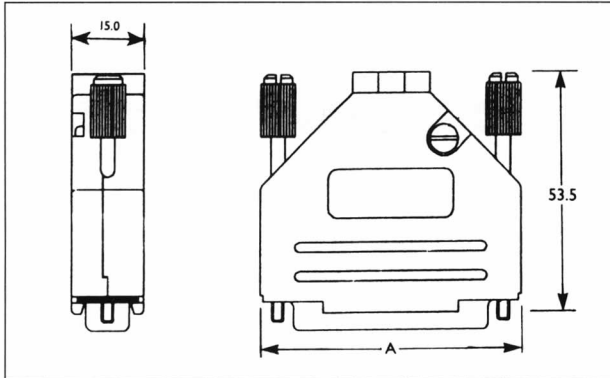
Contact Arrangement	Order Code	Max. Cable Dia.	A mm
9	MDPC 9	5	35.0
15	MDPC 15	7	41.0
25	MDPC 25	7	54.5
37	MDPC 37	8	70.0

Standard colour is black - A large selection of colours is available.
Contact the sales office for further details.

Die Cast Shielded

Features

- 360° cable entry screening ensures maximum shielding integrity.
- Accepts both foil and braided cables.
- For use with cable sizes from 4.0 to 12.5mm diameter.
- Unique design allows very fast assembly.
- Lightweight.
- Low cost.
- Stackable.
- Conforms to all relevant European shielding standards when used as part of an approved system.



Zinc Plated Versions

Contact Arrangement	Order Code	A mm
9	MDZE9	32.4
15	MDZA15	39.5
25	MDZB25	54.8
37	MDZC37	70.9

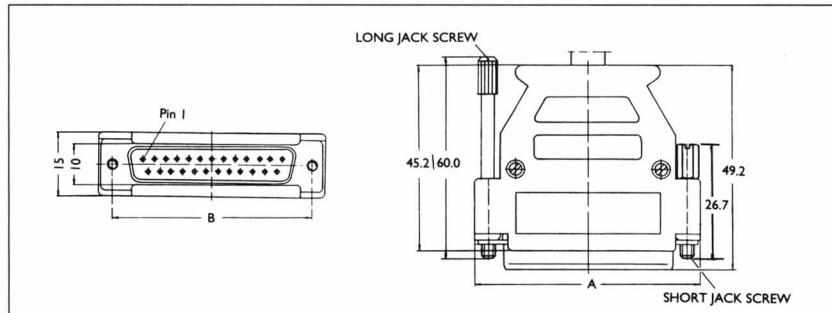
Black Version

Contact Arrangement	Order Code	A mm
9	MDZE9MB	32.4
15	MDZA15MB	39.5
25	MDZB25MB	54.8
37	MDZC37MB	70.9

Jack Screw "M" Series Cover

Features

- Available in 4 sizes; 9, 15, 25 and 37.
- Long and short slotted jack screws.
- Top cable entry for use with long jackscrews.
- Top or two side entries for use with short jack screws.
- Material: Black thermoplastic rated UL94 V-0.
- For screening applications a metallised version is available - add **M** to the end of order code.



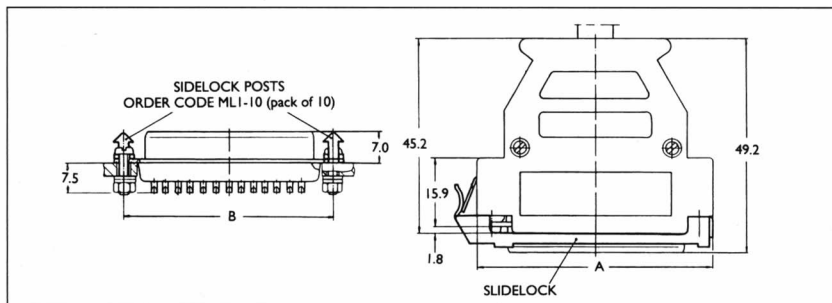
Contact Arrangement	Order Codes		Dimensions		Cable Diameter
	Short Screw	Long Screw	A	B	
*9	MDM9S	MDM9L	31.0	25.0	6.5
15	MDM15S	MDM15L	40.0	33.0	6.5
25	MDM25S	MDM25L	53.5	47.0	10
37	MDM37S	MDM37L	70.0	64.0	10

*Top Entry Only

Sliding Lock "M" Series Cover

Features

- Available in 4 sizes: 9, 15, 25 and 37.
- Sliding lock system features a push home to lock/press to release system.
- Stable mating assured by 4 point locking.
- Available without lock system.
- Top or two side entries.
- Material: Black thermoplastic rated UL94 V-0.
- Latches required on mating connector (supplied in pairs)
Order Codes: (9-37 way) **MLI-10**
- For screening applications a metallised version is available - add **M** to the end of order code.



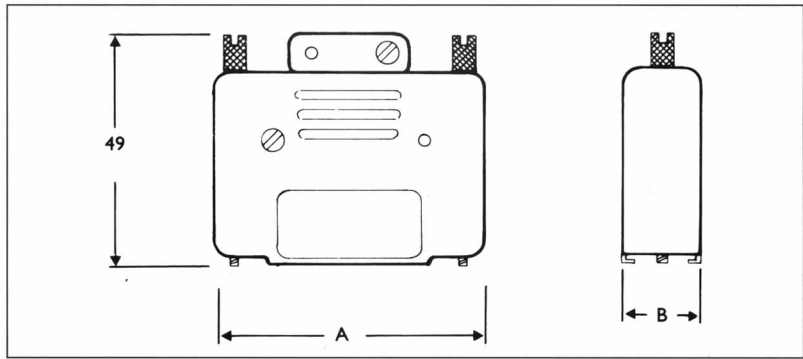
Contact Arrangement	Order Codes		Dimensions		Cable Diameter
	With Locking	Without Locking	A	B	
*9	MDM9SL	MDM9	31.0	25.0	6.5
15	MDM15SL	MDM15	40.0	33.0	6.5
25	MDM25SL	MDM25	53.5	47.0	10
37	MDM375SL	MDM37	70.0	64.0	10

*Top Entry Only

"J" Series Cover

Features

- Available in 5 sizes; 9, 15, 25, 37 and 50 way.
- Easy to grip captive jackscrews.
- Unique design gives valuable extra space for wiring.
- Line-to-line coupling using coupler blocks. Order code: **MCB** - (2 required).
- 25 way cover is available in quick assembly snap together version - order code **MDJ25Q**.
- For screening applications a metallised version is available - add **M** to the end of order code.

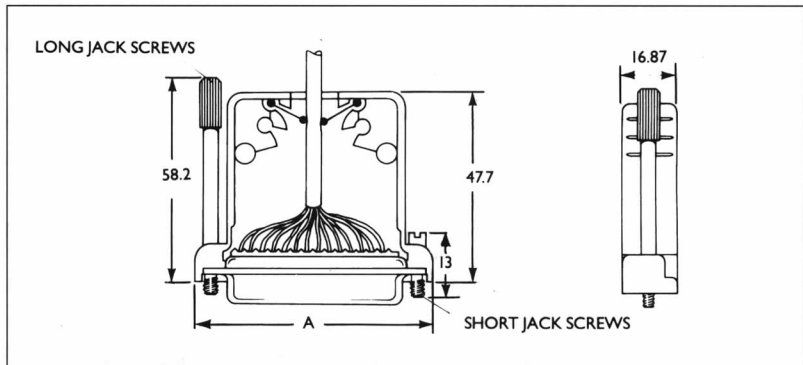


Contact Arrangement	Order Code	A	B	Cable Diameter
9	MDJ 9	33	16	3-9
15	MDJ 15	42	16	3-11
25	MDJ 25	55	16	3-11
37	MDJ 37	71	16	3-11
50	MDJ 50	69	19	3-11

"L" Series Cover

Features

- Unique quick fitting of cable for fast assembly.
- Available in 3 sizes; 9, 15, 25 ways.
- Cover is supplied with either long or short jackscrews, add **L** for long or **S** for short to end of order code.
- Black thermoplastic rated UL94 V-0.

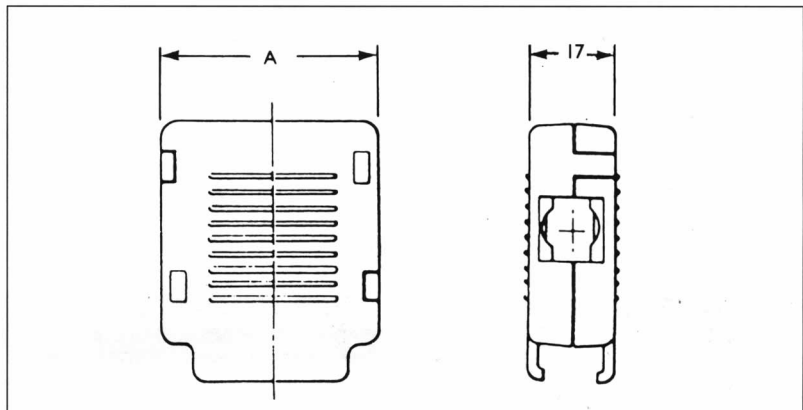


Contact Arrangement	Order Code	A	Cable Diameter
9	MDL 9	34.8	3-7
15	MDL 15	42.4	3-12
25	MDL 25	56.3	3-12
37	MDL 37	72.6	3-12

"P" Series Cover

Features

- Low cost, quick assembly cover.
- Available in 3 sizes, 9, 15 and 25 way.
- Top or side cable entry.
- Black thermoplastic rated UL94 V-0.
- Supplied with internal tie-wrap and external cable clamp.

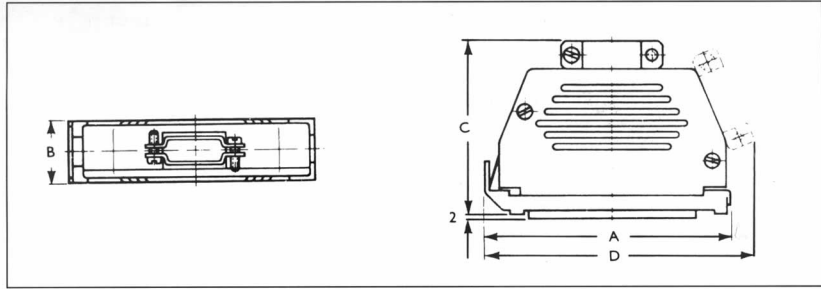


Contact Arrangement	Order Code	A	Cable Diameter
9	MDEP 51009-5	18.8	3.5 - 9.25
15	MDAP 51015-5	27.0	3.5 - 9.25
25	MDBP 51025-5	41.0	3.5 - 9.25

Slidlock "N" Series Cover

Features

- Available in 5 sizes; 9, 15, 25, 37 and 50 way.
- Slidlock system features a push home to lock/press to release system.
- Stable mating assured by 4 point locking.
- Available without lock system.
- Top or side cable entry.
- Material: Black thermoplastic rated UL94 V-0.
- Latches required on mating connector (supplied in pairs)
Order Codes: (9-37 way) **ML1**
(50 way) **ML2**
- For screening applications a metallised version is available - add **M** to the end of order code.

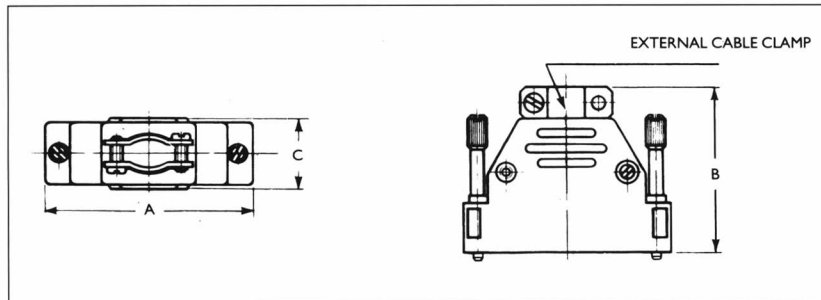


Contact Arrangement	Order Codes		Dimensions				Cable Diameter
	With Locking	Without Locking	A	B	C	D	
9	MDN 9SL	MDN 9	37	15	34	43	4-6
15	MDN 15SL	MDN 15	45	15	40	53	5-7
25	MDN 25SL	MDN 25	60	15	44	68	6-8
37	MDN 37SL	MDN 37	77	15	52	84	5-7
50	MDN 50SL	MDN 50	74	18	52	81	5-10

Jackscrew "N" Series Cover

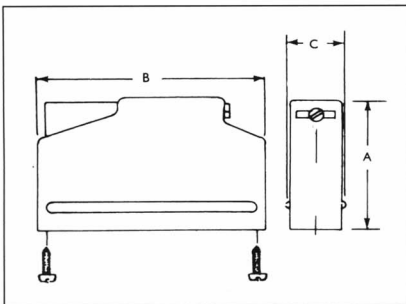
Features

- Available in 5 sizes; 9, 15, 25, 37 and 50 way.
- Long jackscrews for finger or screwdriver operation.
- Top cable entry.
- Material: Black thermoplastic rated UL94 V-0.
- For screening applications a metallised version is available - add **M** to the end of order code.



Contact Arrangement	Order Code	A	B	C
9	MDN 9S	31.5	30.5	18.2
15	MDN 15S	42.0	38.0	18.5
25	MDN 25S	55.5	44.0	18.2
37	MDN 37S	72.0	46.0	18.2
50	MDN 50S	67.0	46.0	21.5

Plastic Junction Shells



Order Codes			A	B	C
Side Entry With Clamp	Top Entry With Clamp	Contact Arrangement			
MDE 51219-1	MDE 51218-1	9	25.4	30.9	14.3
MDA 51211-1	MDA 51210-1	15	25.4	39.3	14.3
MDB 51213-1	MDB 51212-1	25	31.7	53.2	14.3
MDC 51215-1	MDC 51214-1	37	38.1	69.4	14.3
MDD 51217-1	MDD 51216-1	50	38.1	67.1	17.0

McMurdo