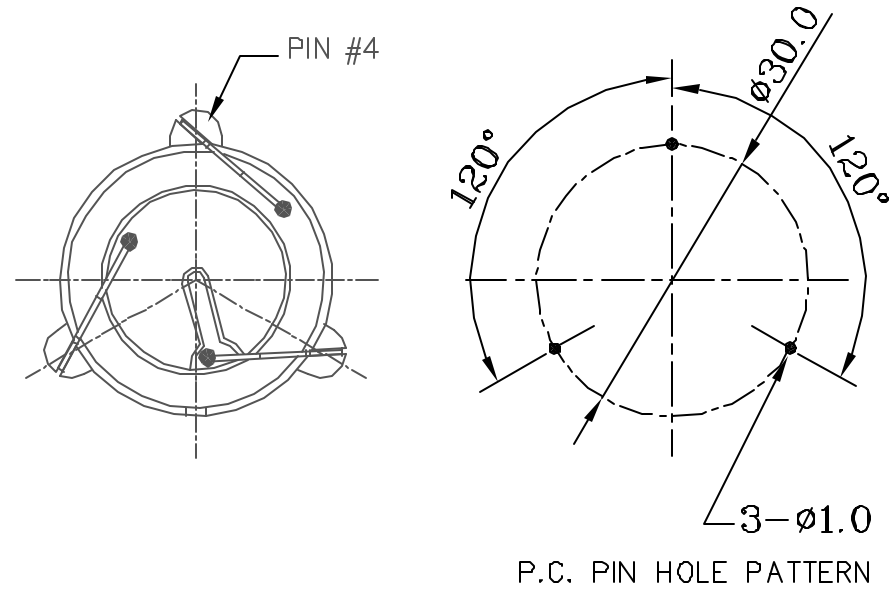
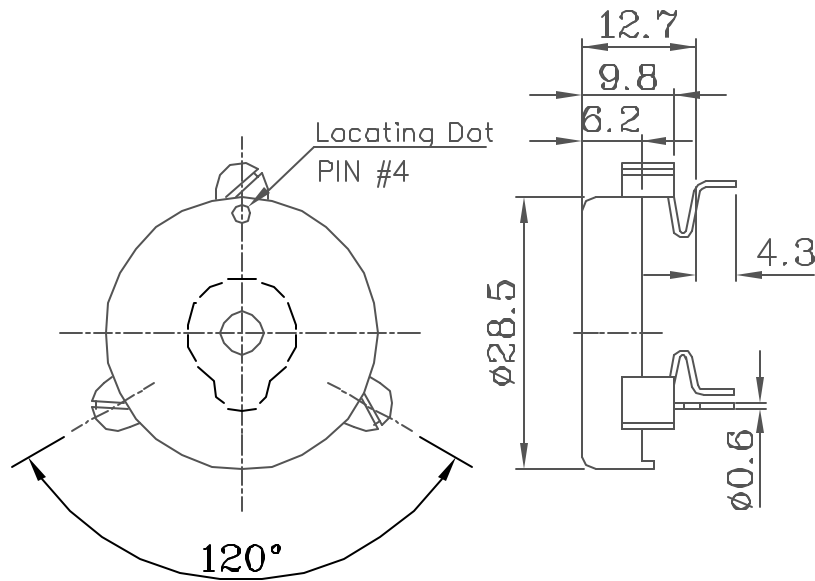
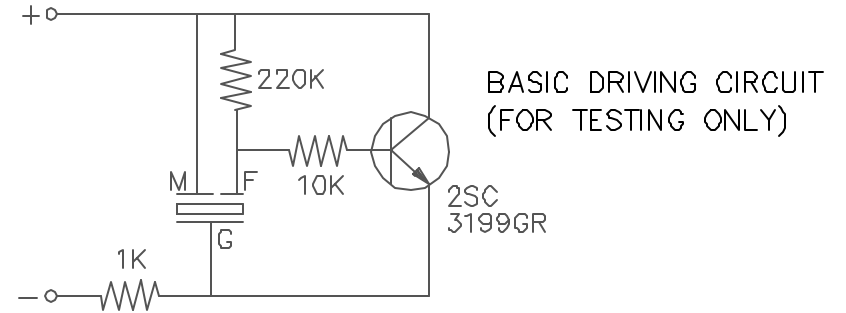


SPECIFICATIONS

PARAMETERS	VALUES	UNITS
Rated Voltage (Sine Wave)	15	V _{p-p}
Operating Voltage	1 ~ 30	V _{p-p}
Rated Current (max.)	9	mA
Typical Sound Pressure Level @ 10 cm.	94	dBA
Resonant Frequency	3000±500	Hz
Capacitance @ 1kHz/1V	16,000±30%	pF
Operating Temperature	-20 ~ +60	°C
Storage Temperature	-30 ~ +70	°C
Housing Material	ABS Black	
Terminal	Tin-Plated Copper Pins	
Weight	3.2	g

REVISIONS

LTR	DESCRIPTION	DATE	APPROVED
-	RELEASED FROM ENGINEERING	10/01/01	
A	REMOVED "K" IN PART NUMBER; ADDED HOUSING & PIN MATERIALS	03/06/02	S. J.



NOTES:

- ALL DIMENSIONS ARE IN MILLIMETERS.
- SPECIFICATION SUBJECT TO CHANGE OR WITHDRAWAL WITHOUT NOTICE.

DRAWING NAME
AT23

UNLESS OTHERWISE SPECIFIED
DIMENSIONS ARE IN MILLIMETERS
TOLERANCES ARE:
FRACTIONS DECIMALS ANGLES
± .XX ± 0.5 ±
.XXX ±

APPROVALS	DATE
DRAWN <i>RABL</i>	10/01
CHECKED	
APPROVED <i>S. J.</i>	10/01/01
DO NOT SCALE DRAWING	



Dayton, Ohio

PIEZO AUDIO TRANSDUCER
AT-23

SIZE	MATERIAL	DRAWING NO.
A		AT23.DWG
SCALE N/A	MAX. WT.	SHEET 1 OF 1