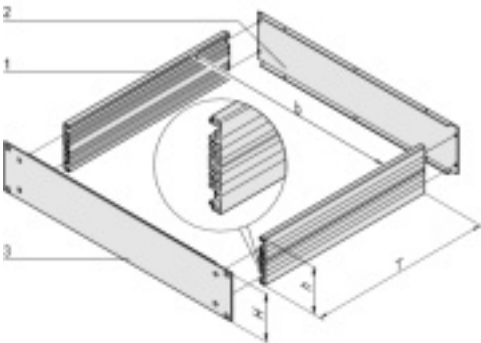
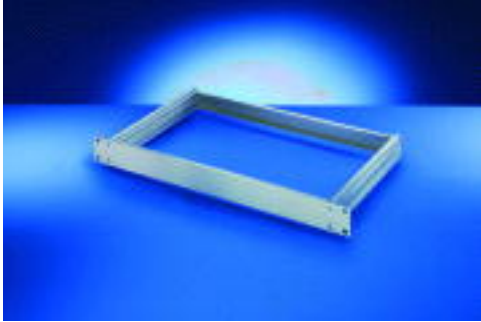


[Kit 19" chassis, aluminium profile](#)
[Print page](#)


h = clearance (height) = H-8,1 mm, b =
clearance (width) = 403 mm

Article number: 20860-230

- Material Al

Delivery comprises: Basic kit

Item	Qty	Description
1	2 (4)	Al extrusion with groove for threaded insert 2 x 7 mm (two-piece from 5 U)
2	1	Rear panel, Al, 2 mm, clear chromated
3	1	Front panel, Al extrusion, 3 mm, front anodised, rear etched (at 1 U), clear chromated (at 2 U)
4	1	Assembly kit and user manual
5	1	EMC gasket profile kit (only at 5 U)



Technical data:

Height H	H	Depth T
4 U	177 mm	400 mm

Notes:

- h = clearance height = H - 8.1 mm
- b = clearance width = 403 mm

Further Information:

	CAD data in DWG- DXF- and PDF format
	User Manual



EMC test report