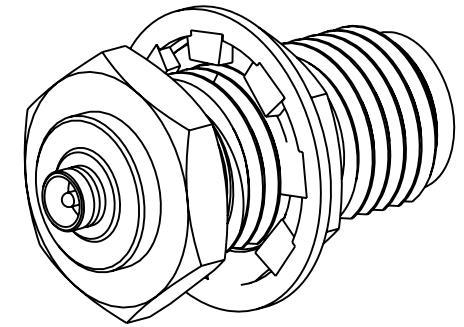


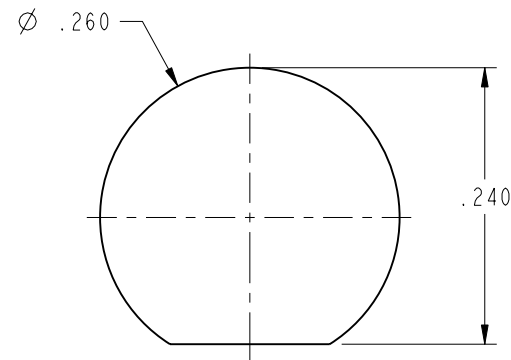
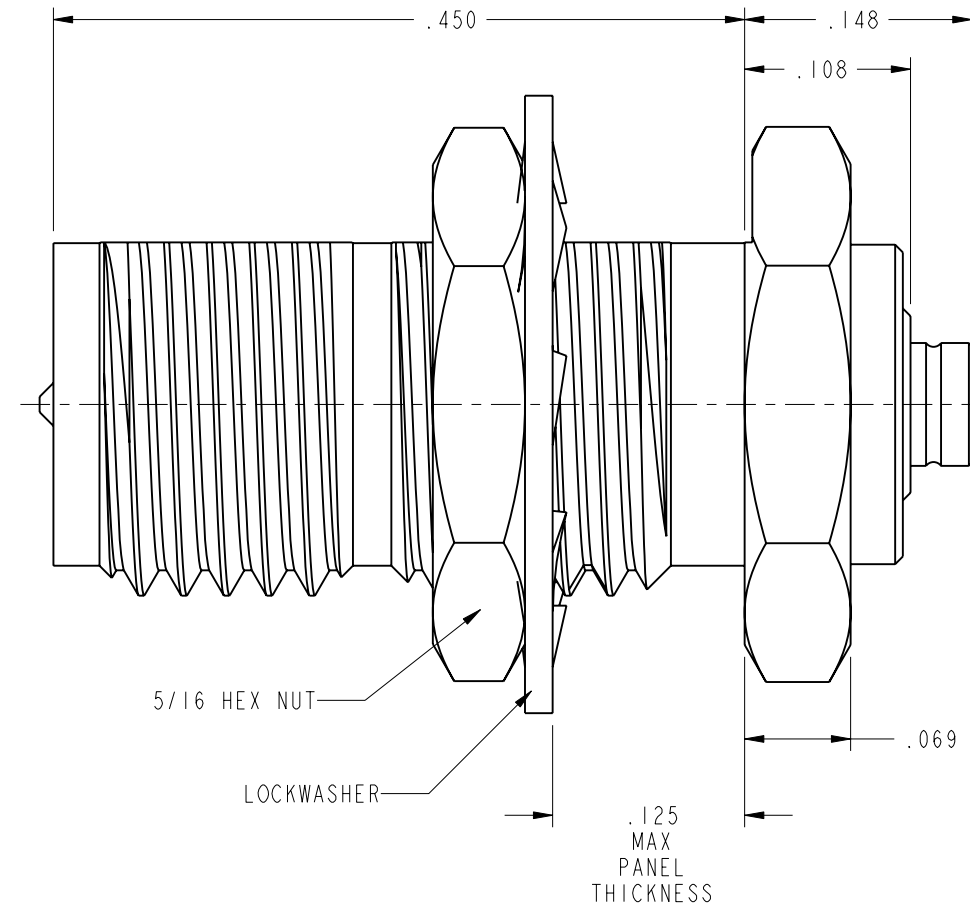
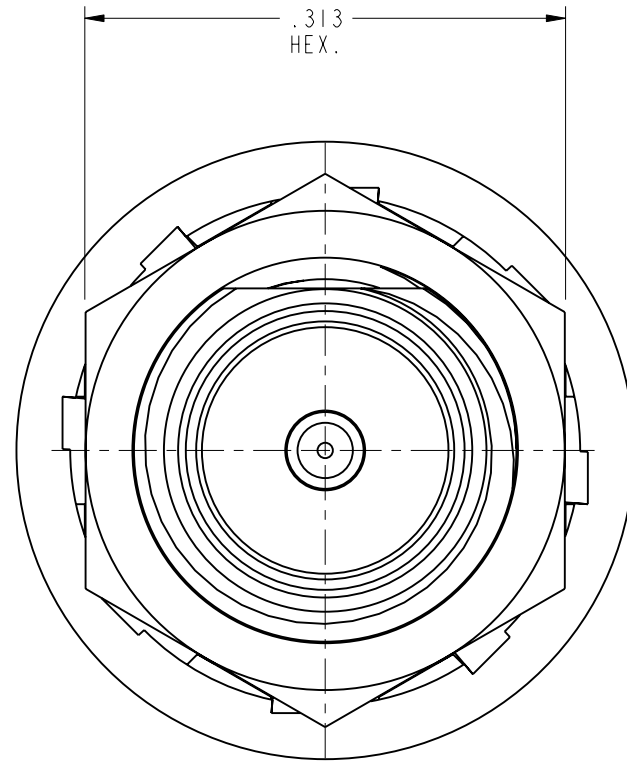
NOTES:

1. MATERIALS AND FINISHES:
 BODY - BRASS, GOLD PLATING (.000010 MIN THICK)
 CONTACT - BRASS, GOLD PLATING (.000030 MIN THICK)
 INSULATOR - PTFE
2. ELECTRICAL:
 A. IMPEDANCE: 50 OHM
 B. FREQUENCY RANGE: DC - 6 GHz
 C. VSWR(RETURN LOSS): 1.4 (15.56 dB), MAX.
3. MECHANICAL:
 A. DURABILITY: 100 CYCLES MIN.
 B. TEMPERATURE RANGE: -65° C TO +165° C
4. PACKAGING:
 A. QUANTITY: SINGLE PACK
 B. MARKING: BAG TO BE MARKED
 "AMPHENOL, 901-10097, AND DATE CODE"

901-10097		REVISIONS			
DRAWING NO.	REV	DESCRIPTION	DATE	ECO	APPR
THIRD ANGLE PROJ.	A	RELEASE TO MFG.	10/2/03	44653	MAH
	B	SEE SHEET 1	6/15/06	46132	CPM



SCALE 4.000



RECOMMENDED MOUNTING HOLE DIMENSIONS
SCALE 6.000

CUSTOMER OUTLINE DRAWING
ALL OTHER SHEETS ARE FOR INTERNAL USE ONLY

UNLESS OTHERWISE SPECIFIED, DIMENSIONS ARE IN INCHES AND TOLERANCES ARE: 2 PLACE DECIMAL 3 PLACE DECIMAL ANGLES ±.015 (0,381 mm) ±.005 (0,127 mm) ± 1°	MATERIAL	DRAWN MIKE HOYACK	DATE 07-Jan-03	TITLE SMA REVERSE POLARITY BULKHEAD TO AMC PLUG ADAPTER	Amphenol RF Danbury, CT, USA Tainan, Taiwan Shenzhen, China www.amphenolrf.com		
	REFERENCE EAR# 830 GEN# ASSY1_SMAFRP_UFLM 615X-1872-100	ENGINEER MIKE HOYACK	DATE 07-Jan-03				
NOTICE - These drawings, specifications, or other data (1) are, and remain the property of Amphenol Corp. (2) must be returned upon request; and (3) are confidential and not to be disclosed to any person other than those to whom they are given by Amphenol Corp. The furnishing of these drawings, specifications, or other data by Amphenol Corp., or to any other person to anyone for any purpose is not to be regarded by implication or otherwise in any manner licensing, granting rights or permitting such holder or any other person to manufacture, use or sell any product, process or design, patented or otherwise, that may in any way be related to or disclosed by said drawings, specifications, or other data.	APPROVED O. BARTHELMES	DATE 10/1/03	CODE ID 74868	DWG SIZE B	DRAWING NO. 901-10097	SCALE: 8.0:1	SHEET 2 OF 2
	CAD FILE I:\SMA\901-10097					REV B	