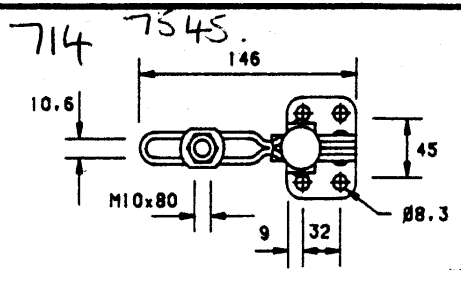
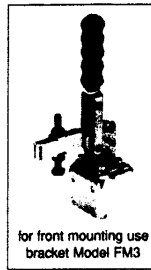
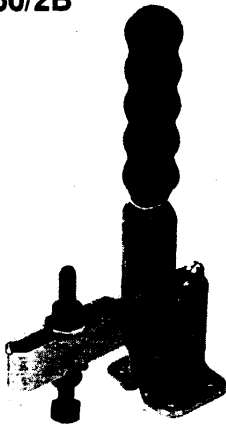


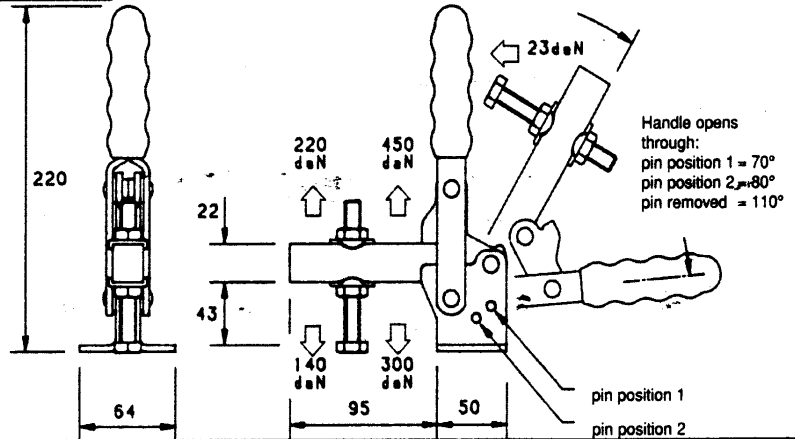
MODEL V350/2B



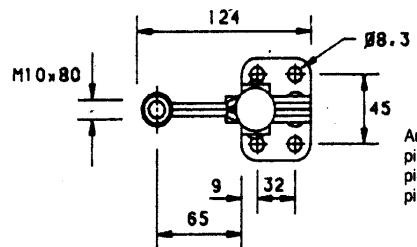
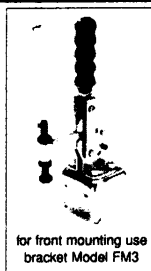
Arm opens through:
pin position 1 = 90°
pin position 2 = 120°
pin removed = 180°

Arm: The spindle position is adjustable along the arm.
Base: Flanged.
Nominal Holding Force: 350 daN
Weight: 0.80 Kg
Supplied complete with: MB1080 Setscrew & nuts.
FW10/20 Flanged washers.

See "Accessories" for other items.



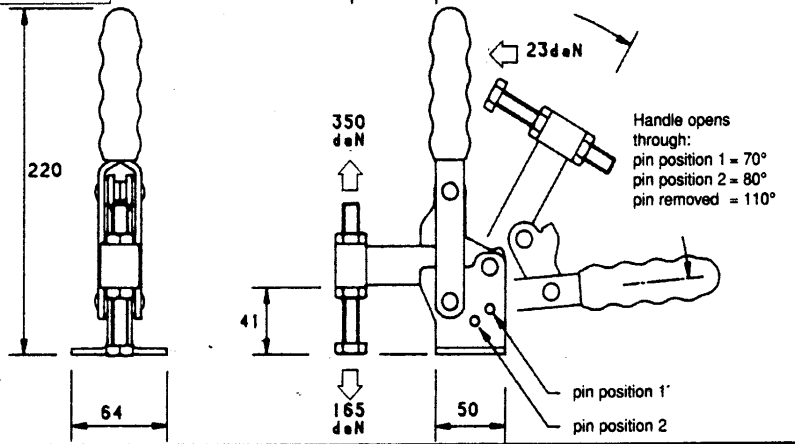
MODEL V350/2C



Arm opens through:
pin position 1 = 90°
pin position 2 = 120°
pin removed = 180°

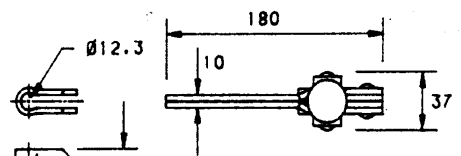
Arm: The spindle is in a fixed position.
Base: Flanged.
Nominal Holding Force: 350 daN
Weight: 0.75 Kg
Supplied complete with: MB1080 Setscrew & nuts.

See "Accessories" for other items.



V450 SERIES VERTICAL CLAMPS

MODEL V450/1A



Arm opens through:
pin position 1 = 90°
pin position 2 = 125°
pin removed = 180°

Arm: Solid with spindle retainer supplied loose for welding in the desired position.
Base: Straight.
Nominal Holding Force: 450 daN
Weight: 1.25 Kg
Supplied complete with: MB12100 Setscrew & nuts.
R/12 Spindle retainer.

See "Accessories" for other items.

