

BASIC PART NUMBER: 83808-X X X X X X

CARD TYPE: I
CARD TYPE: II

1
2

I/O: CLOSED WITH GROUND CONTACT 0
I/O: 1 CONNECTOR 1
I/O: 2 CONNECTORS 2

0
1
2

LABEL RECESS: NO
LABEL RECESS: YES

0
1

INSULATOR: NO
INSULATOR: YES

0
1

CARDBUS: NO
CERDBUS: YES


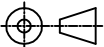
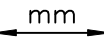
0
1

PACKAGING: 1000Pcs/BOX
PACKAGING: 200Pcs/BOX

Blank
S

PROPERTIES:

CARD SHIELD: STAINLESS STEEL, THICKNESS 0.2mm
SURFACE FINISH: MATTE
FRAME BAR: PPO, COLOR BLACK, UL94V-0
INSULATOR: DIELECTRIC STRENGTH 2500V

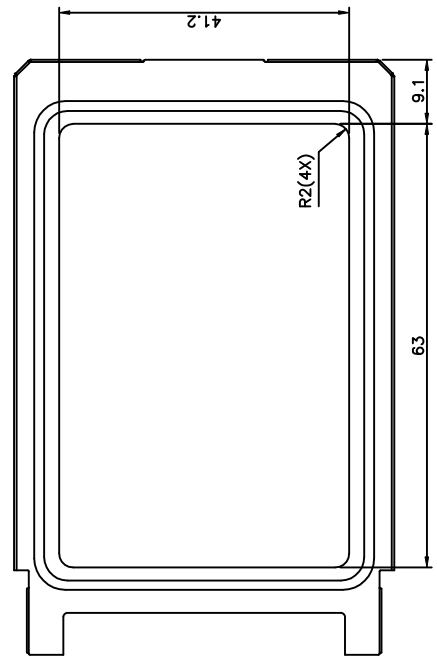
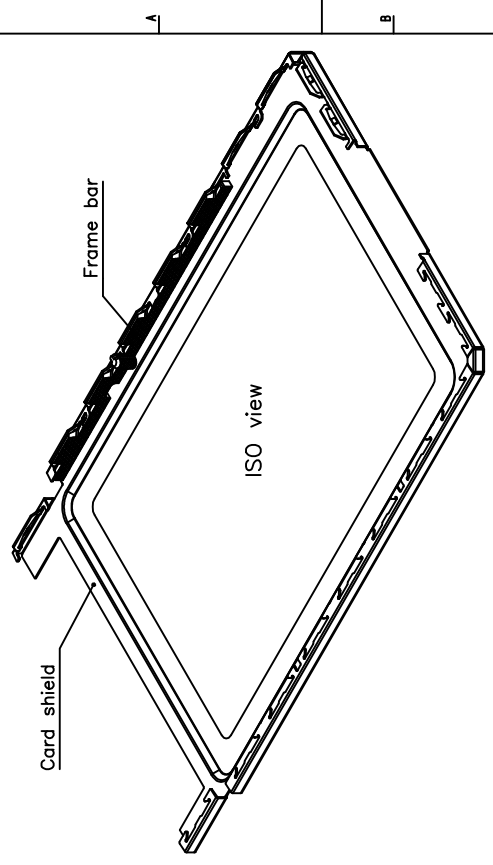
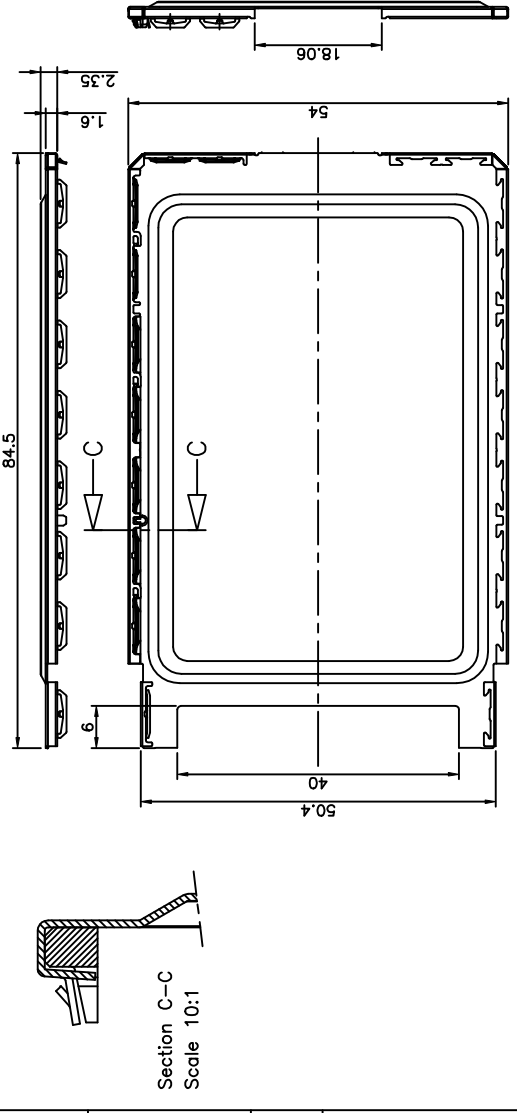
mat'l. code		tolerances unless otherwise specified							CUSTOMER COPY		 www.fciconnect.com				
ltr	ecn no	dr	date			linear		projection		title ROCARD SHIELD					
H	F10514	DLE	01.09.07												
C	F90323	DLE	99.05.04			angles									
D	F90327	DLE	99.05.19			dr	D LEGRAND		01.09.07		product family		PCMCIA		code
E	F90655	DLE	99.10.25			engr	F HAUTIER		99.04.29		size		dwg no		213
F	F00106	LMU	00.01.19			chr	D LEGRAND		99.04.29		scale				sheet
G	F00439	DLE	00.06.19			appd	F HAUTIER		99.04.29		1:1		A4		83808
sheet	revision		H	D	D	D	D	D	C	C	C	C			1 of 10
index	sheet		1	2	3	4	5	6	7	8	9	10			

Tous droits strictement reserves. Reproduction ou communication a des tiers interdite sans autorisation écrite du propriétaire.
 All rights strictly reserved. Reproduction or communication to third parties is any form without written authorization from the proprietor.
 Copyright FCI Besançon S.A.

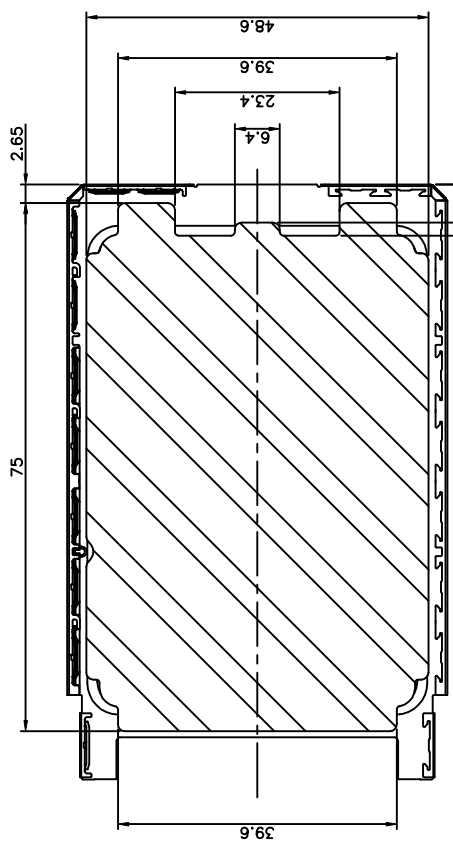


Product number	Packaging
83808-xxxxx	1000 Rocard Shield/Box
83808-xxxxxS	200 Rocard Shield/Box

Product number	Insulator	Label recess
83808-21001	no	no
83808-21011	yes	no
83808-21101	no	yes
83808-21111	yes	yes



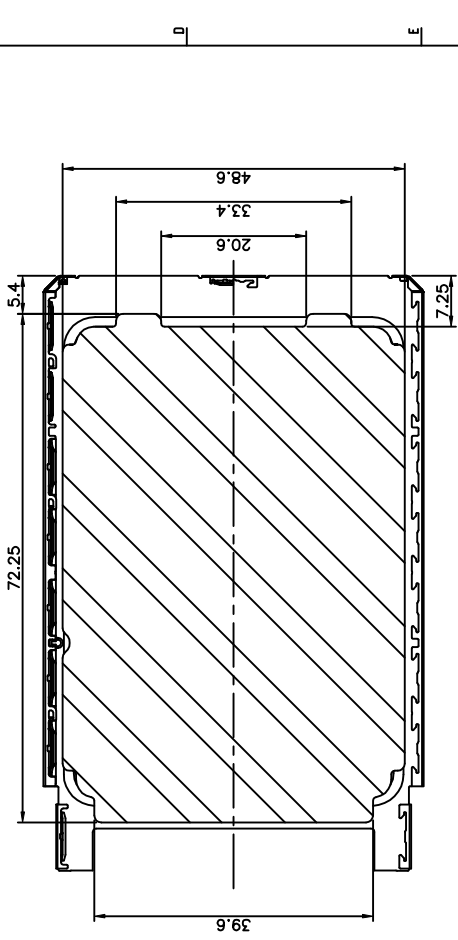
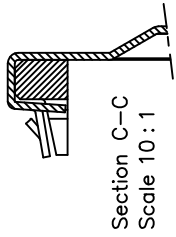
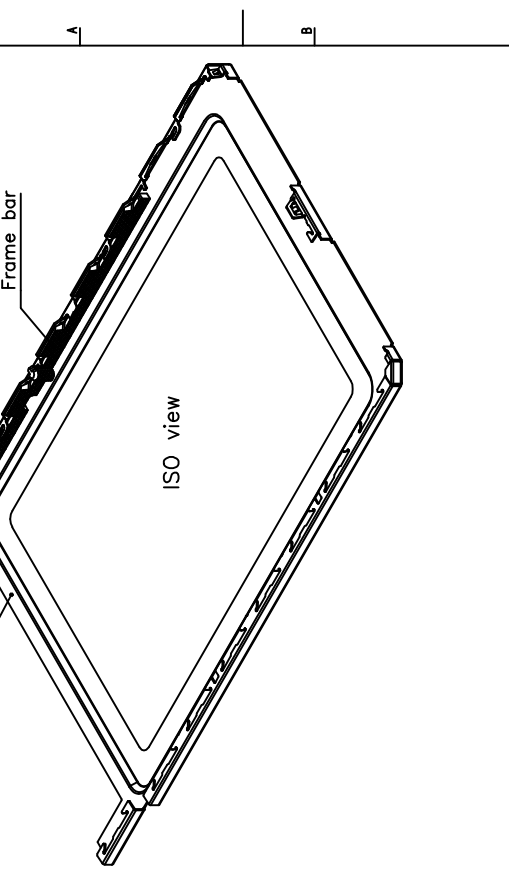
Version: Label recess
(maximum label thickness 0.07 mm)



Version: Insulator
(thickness 0.07 mm)

part. code		historical unless otherwise specified		CUSTOMER COPY		ELECTRONICS	
IT	REV. NO.	CP	DATE	PROJECTION	SCALE	PRODUCT FAMILY	ITEM NO.
A	1000040	CCA	98.02.12	linear	1:1	ROCARD SHIELD	83808
B	1000102	CCA	98.04.08			TYPE II, 1x1/0 CARD BUS	
C	1000103	DLE	99.05.04			PCMCIA	
D	1000114	DLE	01.09.07				
		CCP	F. HAUTER	98.02.12			
		CCP	D. LEGRAND	99.05.04			
		CCP	F. HAUTER	99.05.04			
sheet	revision			scale			
index	sheet						

Product number	Insulator	Label recess	Packaging
83808-22001	no	no	1000 Rocard Shield/Box
83808-22011	yes	no	200 Rocard Shield/Box
83808-22101	no	yes	
83808-22111	yes	yes	



MATERIAL CODE			DIMENSIONS UNLESS OTHERWISE SPECIFIED			CUSTOMER COPY			ELECTRONICS www.fci.com		
ITEM	SYM NO	QTY	DATE	DESCRIPTION	UNIT	ITEM	SYM NO	QTY	DATE	DESCRIPTION	UNIT
A	1400240		COA	08.02.12	linear						
B	1400240		COA	08.04.08							
C	1400240		DLE	08.05.04	radius						
D	1400240		DLE	01.09.07	IP						
			BOU	F. HAUTER	08.02.12						
			CHP	D. LEGRAND	09.05.04						
			BOU	F. HAUTER	09.05.04						
			BOU	F. HAUTER	09.05.04						
sheet			revision								
index			sheet								

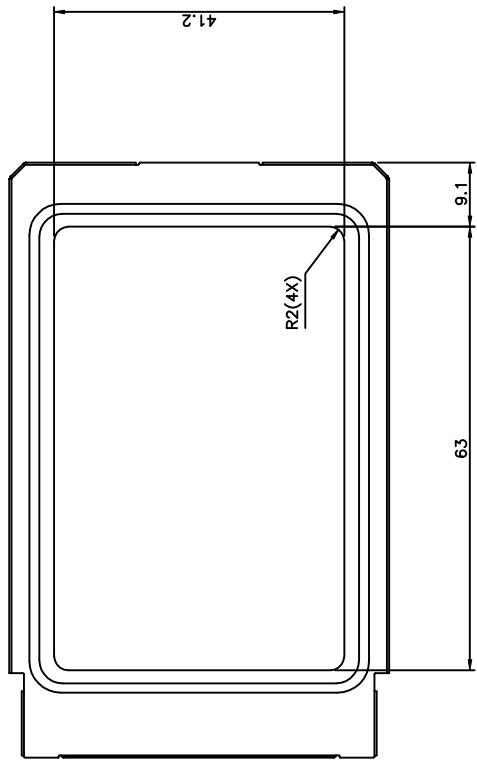
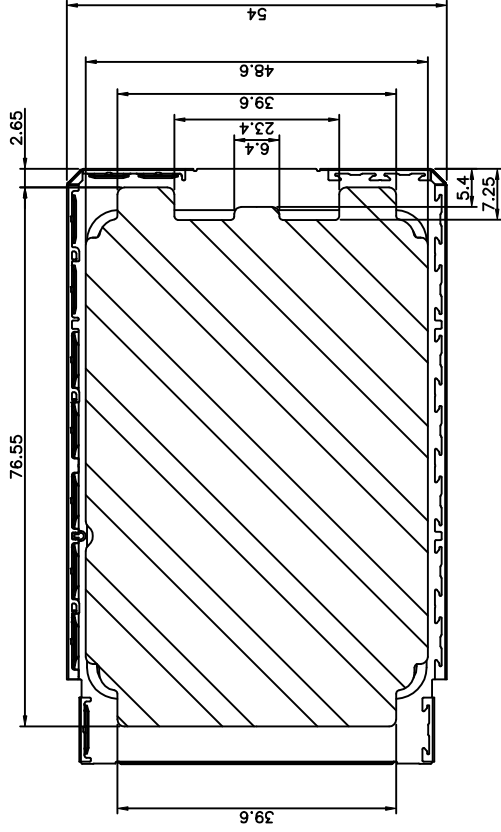
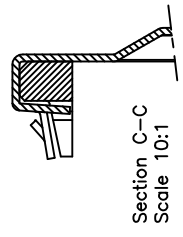
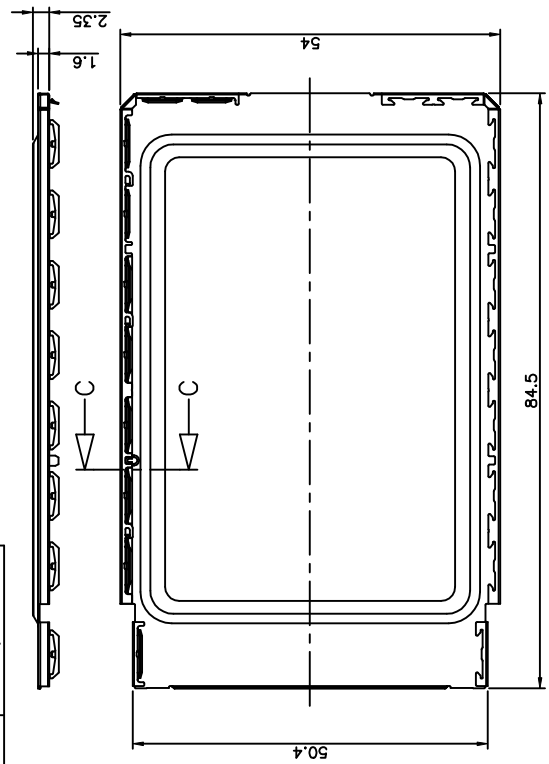
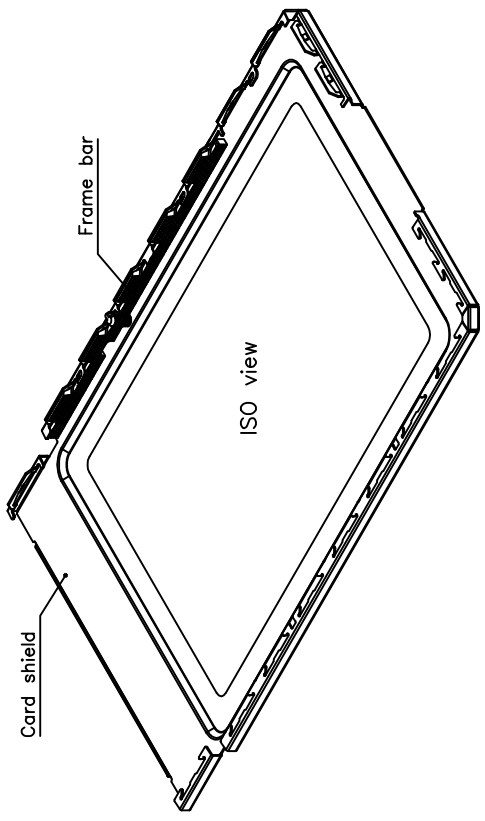
File: ROCARD SHIELD
Type: I1.2X/10.CARDBUS
Product Family: FCNCA
Size/Rev no: 2.13
83808

Version: Insulator
(thickness 0.07 mm)

Version: Label recess
(maximum label thickness 0.07 mm)

Product number	Packaging
83808-xxxxx	1000 Rocard Shield/Box
83808-xxxxxS	200 Rocard Shield/Box

Product number	Insulator	Label recess
83808-21000	no	no
83808-21010	yes	no
83808-21100	no	yes
83808-21110	yes	yes



Version: Insulator
(thickness 0.07 mm)

Version: Label recess
(maximum label thickness 0.07 mm)

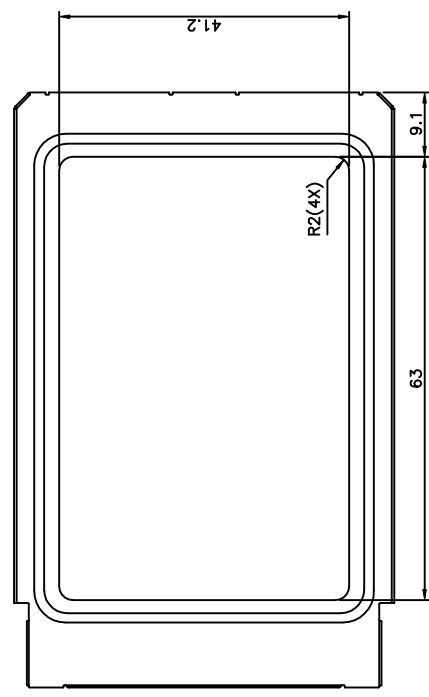
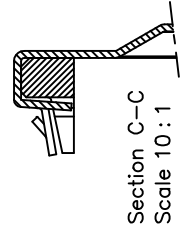
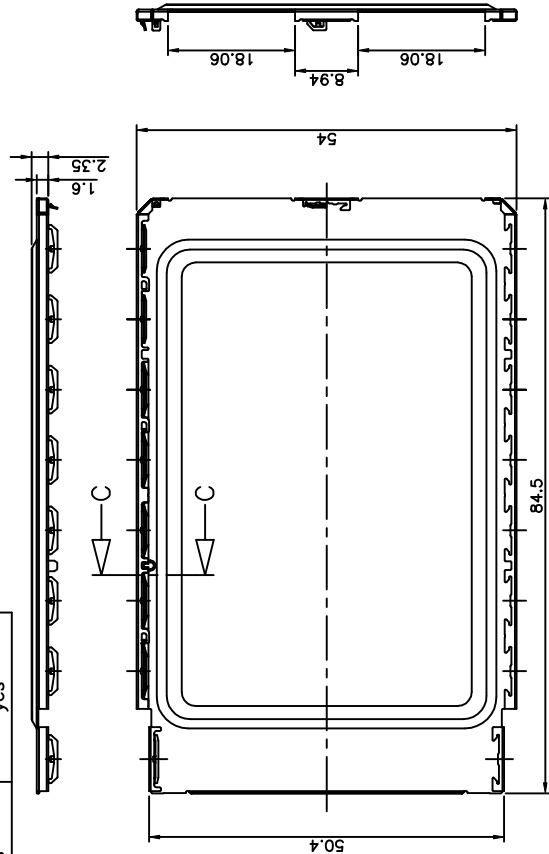
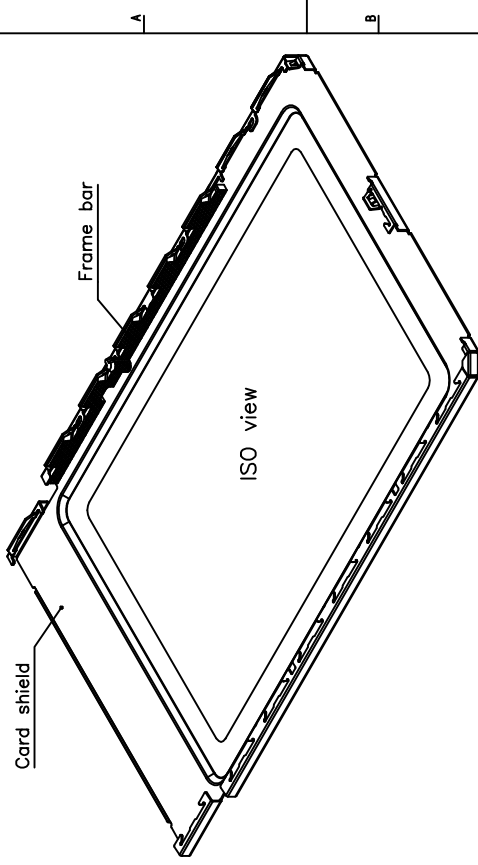
part. code		date		revision		scale		drawing no.		sheet	
1	1000	01.09.07	01.09.07	1	1	1:1	A2	83808	2/3	2 of 2	
2	1000	01.09.07	01.09.07	2	2	1:1	A2	83808	2/3	2 of 2	
3	1000	01.09.07	01.09.07	3	3	1:1	A2	83808	2/3	2 of 2	
4	1000	01.09.07	01.09.07	4	4	1:1	A2	83808	2/3	2 of 2	
5	1000	01.09.07	01.09.07	5	5	1:1	A2	83808	2/3	2 of 2	
6	1000	01.09.07	01.09.07	6	6	1:1	A2	83808	2/3	2 of 2	
7	1000	01.09.07	01.09.07	7	7	1:1	A2	83808	2/3	2 of 2	
8	1000	01.09.07	01.09.07	8	8	1:1	A2	83808	2/3	2 of 2	

CUSTOMER COPY		Hidrances unless otherwise specified		PROJECTION		SCALE		DRAWING NO.		SHEET	
1	1000	01.09.07	01.09.07	1	1	1:1	A2	83808	2/3	2 of 2	
2	1000	01.09.07	01.09.07	2	2	1:1	A2	83808	2/3	2 of 2	
3	1000	01.09.07	01.09.07	3	3	1:1	A2	83808	2/3	2 of 2	
4	1000	01.09.07	01.09.07	4	4	1:1	A2	83808	2/3	2 of 2	
5	1000	01.09.07	01.09.07	5	5	1:1	A2	83808	2/3	2 of 2	
6	1000	01.09.07	01.09.07	6	6	1:1	A2	83808	2/3	2 of 2	
7	1000	01.09.07	01.09.07	7	7	1:1	A2	83808	2/3	2 of 2	
8	1000	01.09.07	01.09.07	8	8	1:1	A2	83808	2/3	2 of 2	

ELECTRONICS		CUSTOMER COPY		PROJECTION		SCALE		DRAWING NO.		SHEET	
1	1000	01.09.07	01.09.07	1	1	1:1	A2	83808	2/3	2 of 2	
2	1000	01.09.07	01.09.07	2	2	1:1	A2	83808	2/3	2 of 2	
3	1000	01.09.07	01.09.07	3	3	1:1	A2	83808	2/3	2 of 2	
4	1000	01.09.07	01.09.07	4	4	1:1	A2	83808	2/3	2 of 2	
5	1000	01.09.07	01.09.07	5	5	1:1	A2	83808	2/3	2 of 2	
6	1000	01.09.07	01.09.07	6	6	1:1	A2	83808	2/3	2 of 2	
7	1000	01.09.07	01.09.07	7	7	1:1	A2	83808	2/3	2 of 2	
8	1000	01.09.07	01.09.07	8	8	1:1	A2	83808	2/3	2 of 2	

Product number	Packaging
83808-xxxxx	1000 Rocard Shield/Box
83808-xxxxxS	200 Rocard Shield/Box

Product number	Insulator	Label recess
83808-22000	no	no
83808-22010	yes	no
83808-22100	no	yes
83808-22110	yes	yes



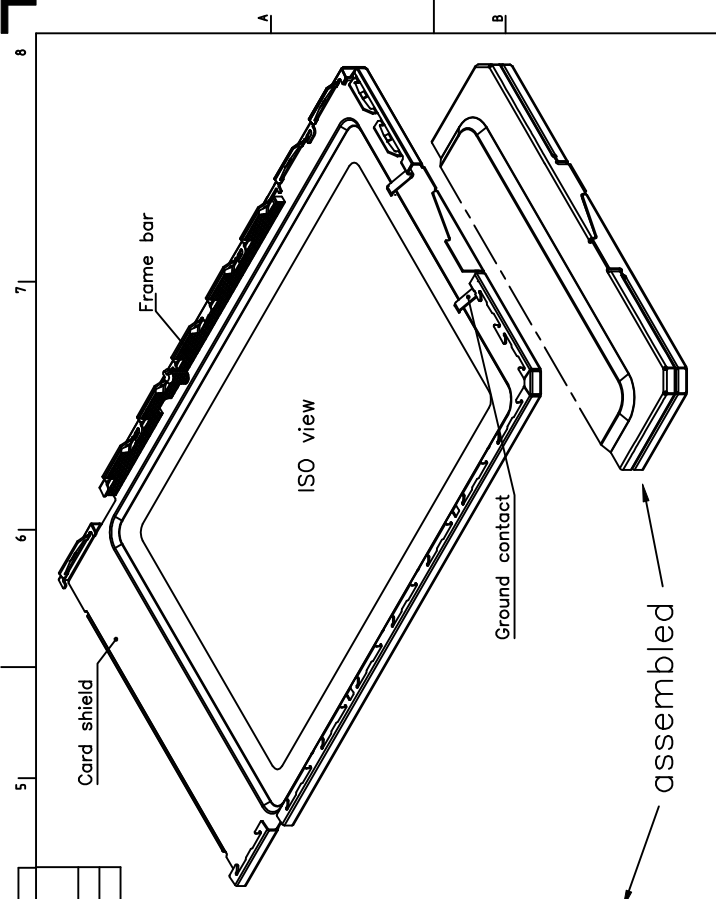
Version: Insulator
(thickness 0.07 mm)

Version: Label recess
(maximum label thickness 0.07 mm)

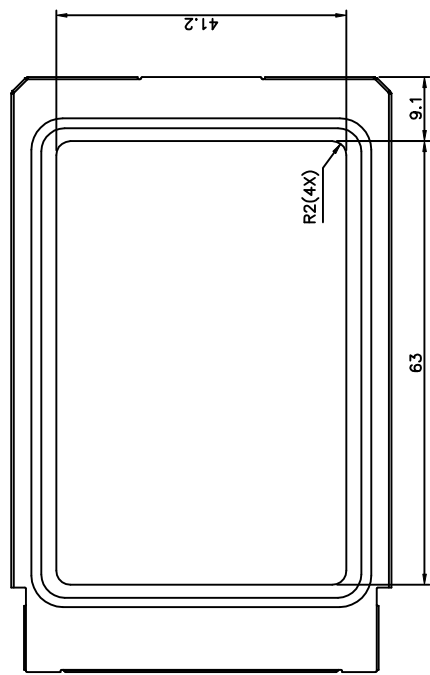
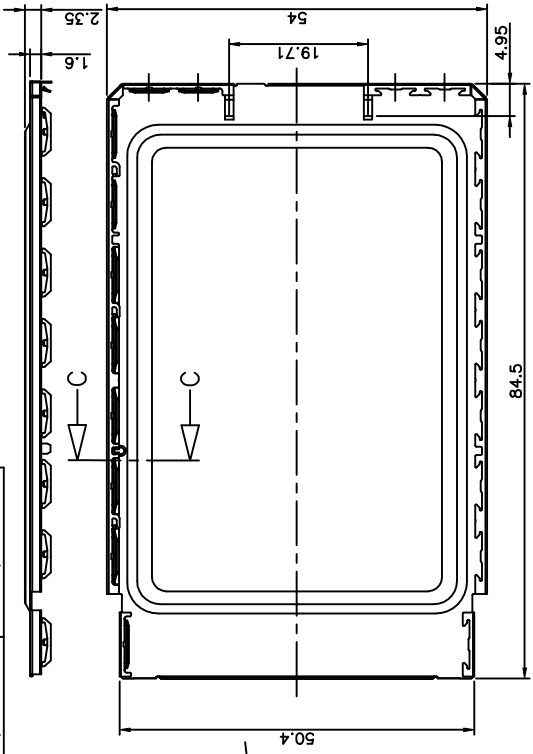
part code		date		revision		sheet		index	
U	1402049	CC	98.02.12	linear					
A	1402049	CC	98.04.08						
B	1402049	CC	98.04.08						
C	1402049	CC	98.04.08						
D	1402049	CC	98.04.08						
E	1402049	CC	98.04.08						
F	1402049	CC	98.04.08						

CUSTOMER COPY		REFERENCES UNLESS OTHERWISE SPECIFIED	
PROJ	1402049	DATE	98.02.12
DESIGNER	F. HAUTER	SCALE	2:1
CHECKER	F. HAUTER		
APPROVED	F. HAUTER		

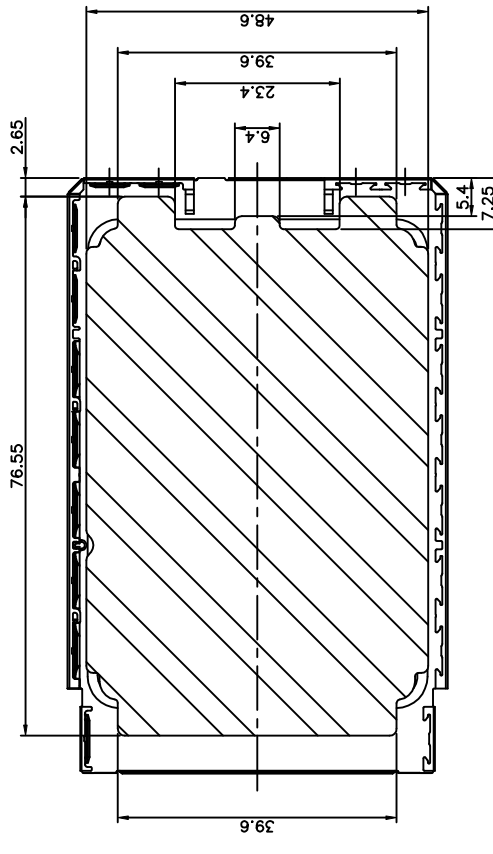
FCI ELECTRONICS		www.fciconnect.com	
Title		ROCARD SHIELD	
Type		TYPE II 2x1/0	
Product family	PCMGIA	Code	213
Size (mm)	83808	Sheet	3 of 3



Product number	Label recess	Insulator	Packaging
83808-20000	no	no	1000 Rocard Shield/Box
83808-20010	yes	yes	200 Rocard Shield/Box
83808-20100	no	no	
83808-20110	yes	yes	



Version: Label recess
(maximum label thickness 0.07 mm)



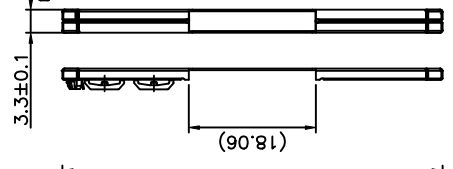
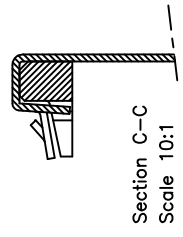
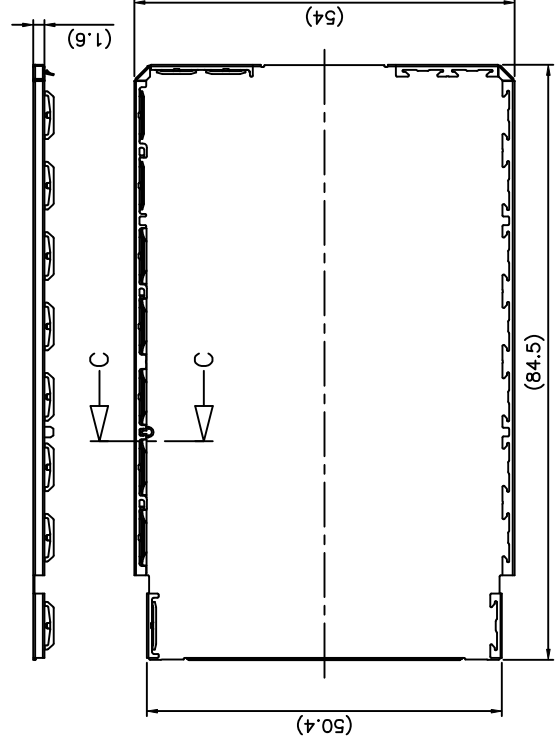
Version: Insulator
(thickness 0.07 mm)

ref'l. code		date		description		revision		sheet		index	
1	1000049	01.09.07	1	VERBODEN	08.02.12						
2	1000049	01.09.07	2	VERBODEN	08.02.12						
3	1000049	01.09.07	3	VERBODEN	08.02.12						
4	1000049	01.09.07	4	VERBODEN	08.02.12						
5	1000049	01.09.07	5	VERBODEN	08.02.12						
6	1000049	01.09.07	6	VERBODEN	08.02.12						
7	1000049	01.09.07	7	VERBODEN	08.02.12						
8	1000049	01.09.07	8	VERBODEN	08.02.12						
9	1000049	01.09.07	9	VERBODEN	08.02.12						
10	1000049	01.09.07	10	VERBODEN	08.02.12						

CUSTOMER COPY		ELECTRONICS	
The ROCARD SHIELD TYPE II, CLOSED END		www.fci.com	
Product family: ROCARD		Product family: ROCARD	
Size (mm): 48.6 x 39.6		Size (mm): 48.6 x 39.6	
Scale: 2:1		Scale: 2:1	
Part no: 83808		Part no: 83808	
Sheet: 4 of 4		Sheet: 4 of 4	

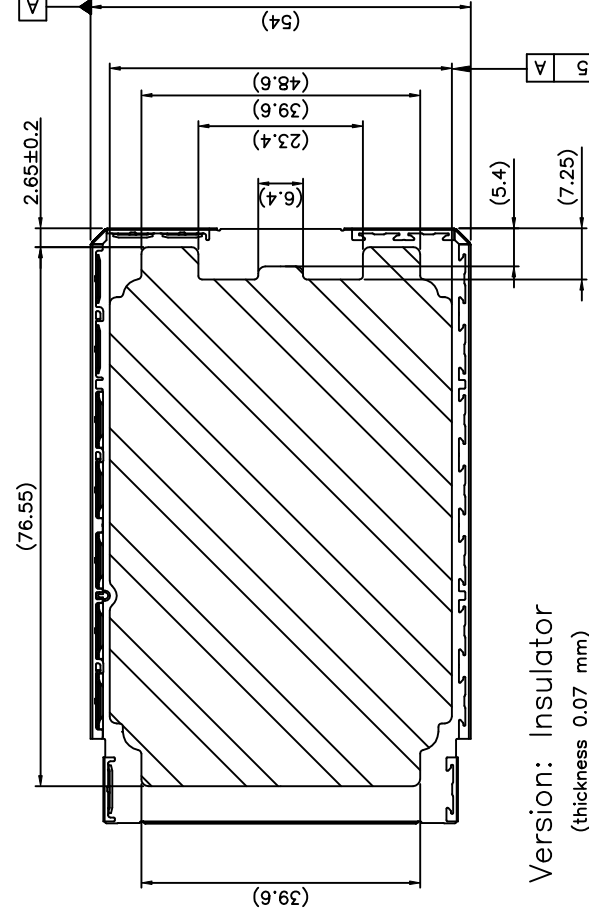
Product number	Made from	
	Shield	Frame
83808-11000	83800-11000	83821-002
83808-11010	83800-11000	83821-002

Product number	Insulator no	Packaging box	
		83808-xxxxx	350633-001
83808-xxxxxs	350633-002		



VIEW OF 2
ASSEMBLED CARDSHIELDS

ISO view



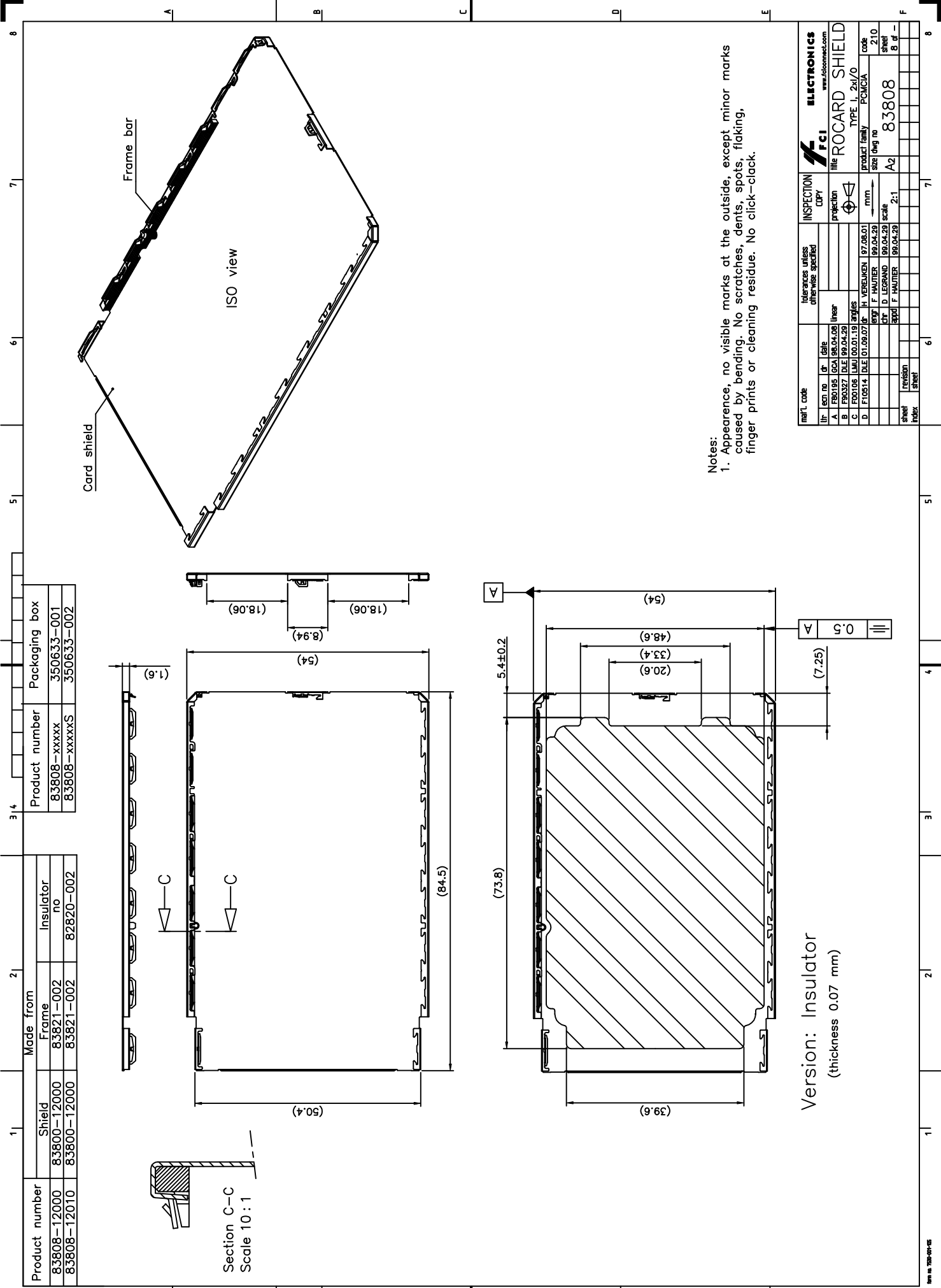
Notes:
1. Appearance, no visible marks at the outside, except minor marks caused by bending. No scratches, dents, spots, flaking, finger prints or cleaning residue. No click-clack.

part. code		Inheritances unless otherwise specified		INSPECTION COPY	
IT	REV. NO.	CP	DATE	PROJECTION	SCALE
A	FCI 195	CCA	98.04.29	linear	2:1
B	FCI 322	DLE	99.04.29		
C	FCI 106	LUM	00.01.19		
D	F.10314	DLE	01.09.07		
		IT	VERBODEN	97.09.01	
		FCP	F. HAUTER	99.04.29	
		DCP	D. ECGAND	99.04.29	
		BCP	F. HAUTER	99.04.29	
sheet	revision				
index	sheet				

FCI ELECTRONICS
www.fci.com

ROCARD SHIELD
TYPE L, 1x1/0

Product family: PCMCIA
Size: 1x1/0
Scale: A2
Part no: 83808



Product number	Made from	Product number	Packaging box
83808-12000	Shield	83808-xxxxx	350633-001
83808-12010	Frame	83808-xxxxxS	350633-002
	Insulator no		
	83821-002		
	83821-002		

Product number	Shield	Frame	Insulator no
83808-12000	83808-12000	83821-002	82820-002
83808-12010	83808-12000	83821-002	82820-002

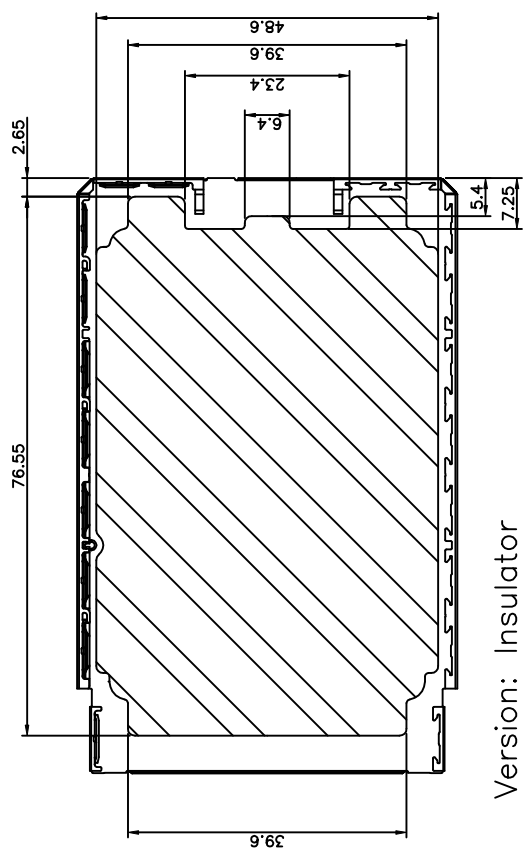
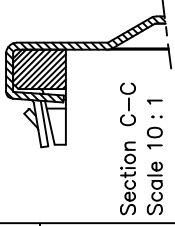
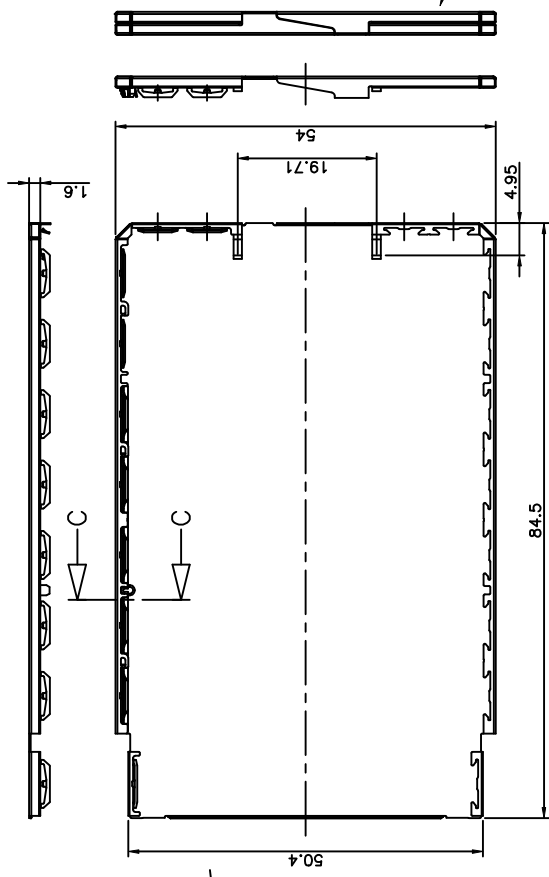
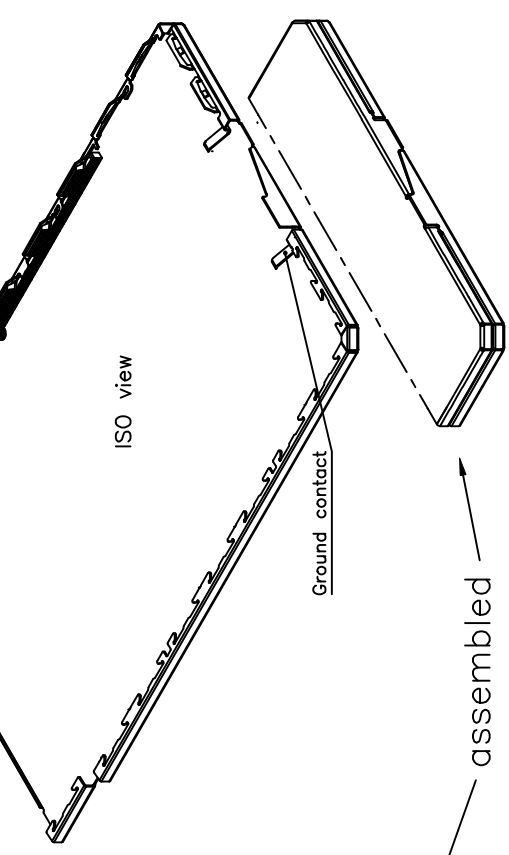
Notes:
 1. Appearance, no visible marks at the outside, except minor marks caused by bending. No scratches, dents, spots, flaking, finger prints or cleaning residue. No click-clack.

Version: Insulator
 (thickness 0.07 mm)

part. code		date		revision		sheet		index		inspection		copy	
FCI	FCI	FCI	FCI	FCI	FCI	FCI	FCI	FCI	FCI	FCI	FCI	FCI	FCI
FCI ELECTRONICS		www.fciconsult.com		ROCARD SHIELD		TYPE L, 2x1/0		PCMCIA		scale		2:1	
83808		83808		83808		83808		83808		83808		83808	

Product number	Packaging
83808-xxxxx	1000 Rocard Shield/Box
83808-xxxxxs	200 Rocard Shield/Box

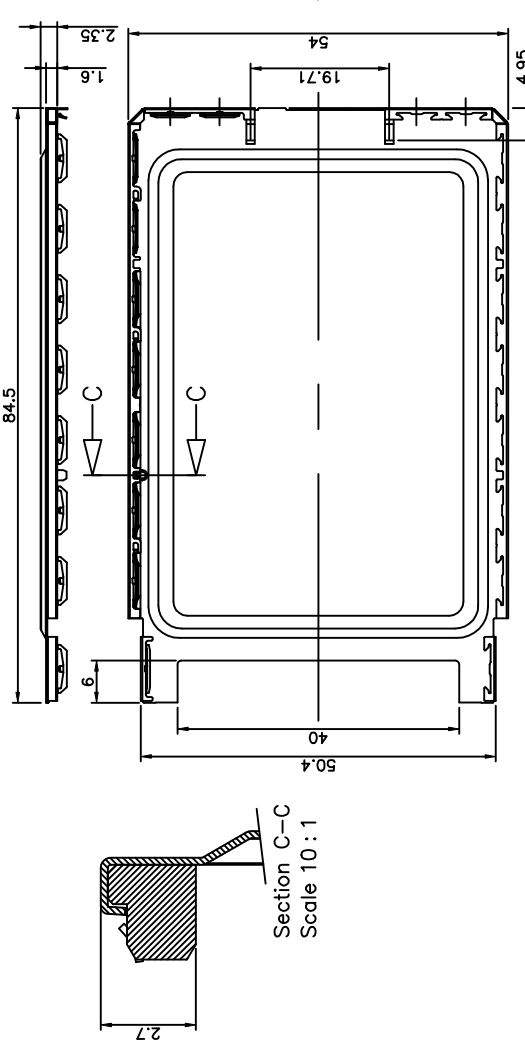
Product number	Insulator
83808-10000	no
83808-10010	yes



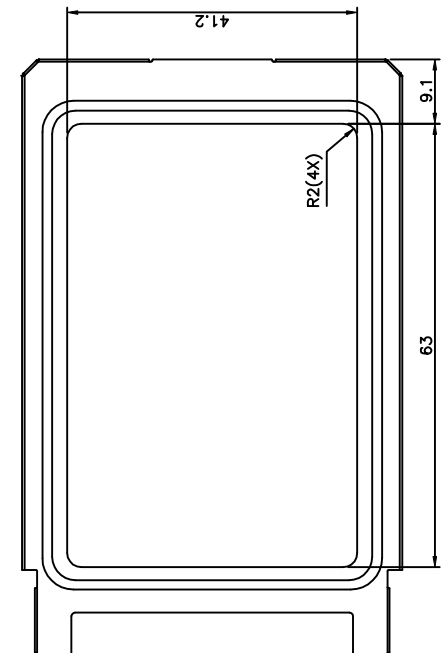
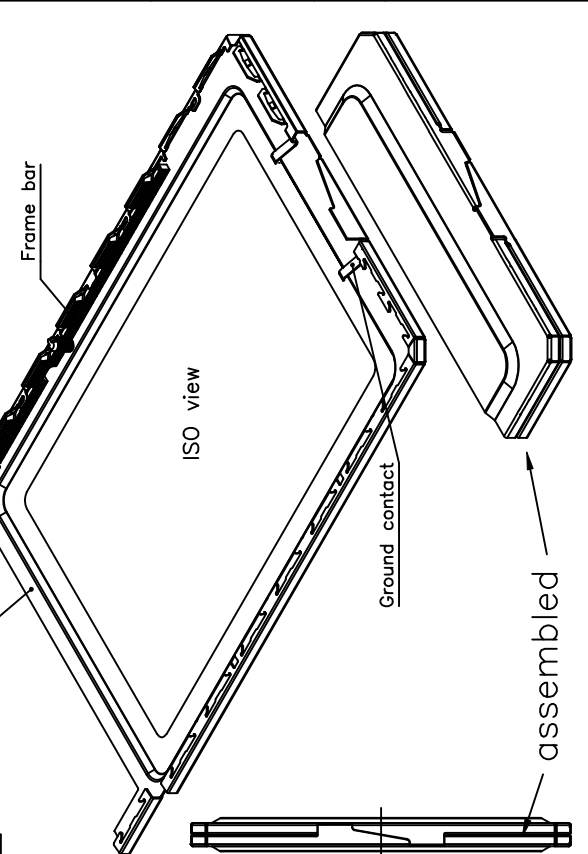
Version: Insulator
(thickness 0.07 mm)

MATERIAL CODE		Holeraces, unless other was specified		CUSTOMER COPY		ELECTRONICS www.fci.com	
ITEM	QTY	DATE	LINE#	PROJECTION	SCALE	SIZE	DRG NO.
A	1000	01.09.07	1	mm	2:1	A2	83808
B	200	01.09.07	2	mm	2:1	A2	83808
C	1	01.09.07	3	mm	2:1	A2	83808
D	1	01.09.07	4	mm	2:1	A2	83808
E	1	01.09.07	5	mm	2:1	A2	83808
F	1	01.09.07	6	mm	2:1	A2	83808
G	1	01.09.07	7	mm	2:1	A2	83808
H	1	01.09.07	8	mm	2:1	A2	83808
I	1	01.09.07	9	mm	2:1	A2	83808
J	1	01.09.07	10	mm	2:1	A2	83808
K	1	01.09.07	11	mm	2:1	A2	83808
L	1	01.09.07	12	mm	2:1	A2	83808
M	1	01.09.07	13	mm	2:1	A2	83808
N	1	01.09.07	14	mm	2:1	A2	83808
O	1	01.09.07	15	mm	2:1	A2	83808
P	1	01.09.07	16	mm	2:1	A2	83808
Q	1	01.09.07	17	mm	2:1	A2	83808
R	1	01.09.07	18	mm	2:1	A2	83808
S	1	01.09.07	19	mm	2:1	A2	83808
T	1	01.09.07	20	mm	2:1	A2	83808
U	1	01.09.07	21	mm	2:1	A2	83808
V	1	01.09.07	22	mm	2:1	A2	83808
W	1	01.09.07	23	mm	2:1	A2	83808
X	1	01.09.07	24	mm	2:1	A2	83808
Y	1	01.09.07	25	mm	2:1	A2	83808
Z	1	01.09.07	26	mm	2:1	A2	83808
AA	1	01.09.07	27	mm	2:1	A2	83808
AB	1	01.09.07	28	mm	2:1	A2	83808
AC	1	01.09.07	29	mm	2:1	A2	83808
AD	1	01.09.07	30	mm	2:1	A2	83808
AE	1	01.09.07	31	mm	2:1	A2	83808
AF	1	01.09.07	32	mm	2:1	A2	83808
AG	1	01.09.07	33	mm	2:1	A2	83808
AH	1	01.09.07	34	mm	2:1	A2	83808
AI	1	01.09.07	35	mm	2:1	A2	83808
AJ	1	01.09.07	36	mm	2:1	A2	83808
AK	1	01.09.07	37	mm	2:1	A2	83808
AL	1	01.09.07	38	mm	2:1	A2	83808
AM	1	01.09.07	39	mm	2:1	A2	83808
AN	1	01.09.07	40	mm	2:1	A2	83808
AO	1	01.09.07	41	mm	2:1	A2	83808
AP	1	01.09.07	42	mm	2:1	A2	83808
AQ	1	01.09.07	43	mm	2:1	A2	83808
AR	1	01.09.07	44	mm	2:1	A2	83808
AS	1	01.09.07	45	mm	2:1	A2	83808
AT	1	01.09.07	46	mm	2:1	A2	83808
AU	1	01.09.07	47	mm	2:1	A2	83808
AV	1	01.09.07	48	mm	2:1	A2	83808
AW	1	01.09.07	49	mm	2:1	A2	83808
AX	1	01.09.07	50	mm	2:1	A2	83808
AY	1	01.09.07	51	mm	2:1	A2	83808
AZ	1	01.09.07	52	mm	2:1	A2	83808
BA	1	01.09.07	53	mm	2:1	A2	83808
BB	1	01.09.07	54	mm	2:1	A2	83808
BC	1	01.09.07	55	mm	2:1	A2	83808
BD	1	01.09.07	56	mm	2:1	A2	83808
BE	1	01.09.07	57	mm	2:1	A2	83808
BF	1	01.09.07	58	mm	2:1	A2	83808
BG	1	01.09.07	59	mm	2:1	A2	83808
BH	1	01.09.07	60	mm	2:1	A2	83808
BI	1	01.09.07	61	mm	2:1	A2	83808
BJ	1	01.09.07	62	mm	2:1	A2	83808
BK	1	01.09.07	63	mm	2:1	A2	83808
BL	1	01.09.07	64	mm	2:1	A2	83808
BM	1	01.09.07	65	mm	2:1	A2	83808
BN	1	01.09.07	66	mm	2:1	A2	83808
BO	1	01.09.07	67	mm	2:1	A2	83808
BP	1	01.09.07	68	mm	2:1	A2	83808
BQ	1	01.09.07	69	mm	2:1	A2	83808
BR	1	01.09.07	70	mm	2:1	A2	83808
BS	1	01.09.07	71	mm	2:1	A2	83808
BT	1	01.09.07	72	mm	2:1	A2	83808
BU	1	01.09.07	73	mm	2:1	A2	83808
BV	1	01.09.07	74	mm	2:1	A2	83808
BW	1	01.09.07	75	mm	2:1	A2	83808
BX	1	01.09.07	76	mm	2:1	A2	83808
BY	1	01.09.07	77	mm	2:1	A2	83808
BZ	1	01.09.07	78	mm	2:1	A2	83808
CA	1	01.09.07	79	mm	2:1	A2	83808
CB	1	01.09.07	80	mm	2:1	A2	83808
CC	1	01.09.07	81	mm	2:1	A2	83808
CD	1	01.09.07	82	mm	2:1	A2	83808
CE	1	01.09.07	83	mm	2:1	A2	83808
CF	1	01.09.07	84	mm	2:1	A2	83808
CG	1	01.09.07	85	mm	2:1	A2	83808
CH	1	01.09.07	86	mm	2:1	A2	83808
CI	1	01.09.07	87	mm	2:1	A2	83808
CJ	1	01.09.07	88	mm	2:1	A2	83808
CK	1	01.09.07	89	mm	2:1	A2	83808
CL	1	01.09.07	90	mm	2:1	A2	83808
CM	1	01.09.07	91	mm	2:1	A2	83808
CN	1	01.09.07	92	mm	2:1	A2	83808
CO	1	01.09.07	93	mm	2:1	A2	83808
CP	1	01.09.07	94	mm	2:1	A2	83808
CQ	1	01.09.07	95	mm	2:1	A2	83808
CR	1	01.09.07	96	mm	2:1	A2	83808
CS	1	01.09.07	97	mm	2:1	A2	83808
CT	1	01.09.07	98	mm	2:1	A2	83808
CU	1	01.09.07	99	mm	2:1	A2	83808
CV	1	01.09.07	100	mm	2:1	A2	83808

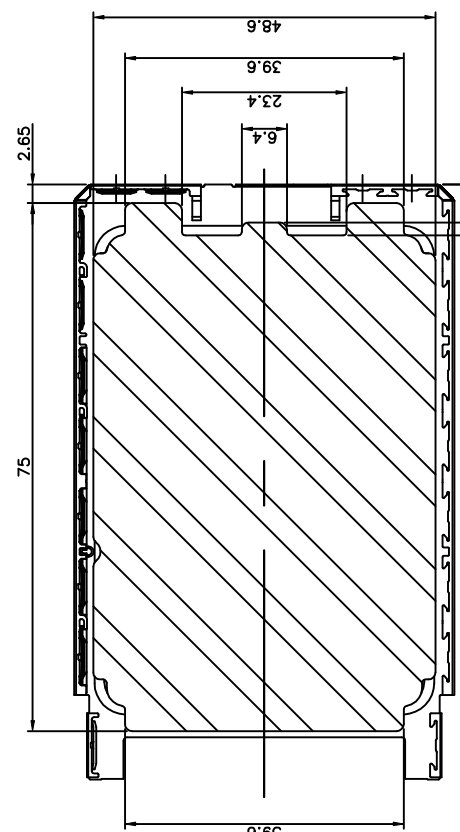
1		2		3		4		5		6		7		8	
Product number	Insulator	Label recess	Product number	Packaging	Product number	1000 Rocard Shield/Box	200 Rocard Shield/Box	Product number	1000 Rocard Shield/Box	Product number	200 Rocard Shield/Box	Product number	1000 Rocard Shield/Box	Product number	200 Rocard Shield/Box
83808-20001	no	no	83808-xxxxx	1000 Rocard Shield/Box	83808-xxxxx	1000 Rocard Shield/Box	200 Rocard Shield/Box	83808-xxxxx	1000 Rocard Shield/Box	83808-xxxxx	200 Rocard Shield/Box	83808-xxxxx	1000 Rocard Shield/Box	83808-xxxxx	200 Rocard Shield/Box
83808-20011	yes	yes	83808-xxxxx	1000 Rocard Shield/Box	83808-xxxxx	1000 Rocard Shield/Box	200 Rocard Shield/Box	83808-xxxxx	1000 Rocard Shield/Box	83808-xxxxx	200 Rocard Shield/Box	83808-xxxxx	1000 Rocard Shield/Box	83808-xxxxx	200 Rocard Shield/Box
83808-20101	no	no	83808-xxxxx	1000 Rocard Shield/Box	83808-xxxxx	1000 Rocard Shield/Box	200 Rocard Shield/Box	83808-xxxxx	1000 Rocard Shield/Box	83808-xxxxx	200 Rocard Shield/Box	83808-xxxxx	1000 Rocard Shield/Box	83808-xxxxx	200 Rocard Shield/Box
83808-20111	yes	yes	83808-xxxxx	1000 Rocard Shield/Box	83808-xxxxx	1000 Rocard Shield/Box	200 Rocard Shield/Box	83808-xxxxx	1000 Rocard Shield/Box	83808-xxxxx	200 Rocard Shield/Box	83808-xxxxx	1000 Rocard Shield/Box	83808-xxxxx	200 Rocard Shield/Box



ISO view



Version: Label recess
(maximum label thickness 0.07 mm)



Version: Insulator
(thickness 0.07 mm)

FCI ELECTRONICS www.fciconnect.com		CUSTOMER COPY		Title		ROCARD SHIELD TYPE I CLOSED CARBUS		Product Family		PCMCIA		Order no.		83808		Sheet		2/3	
Part code		Material		Drawing no.		Revision		Scale		Date		Author		Check		Drawn		Approved	
83808-xxxxx		Insulator		01.09.07		01		1:1		01.09.07		D. LEGRAND		F. HAUTIER		F. HAUTIER		F. HAUTIER	
83808-xxxxx		Card shield		01.09.07		01		1:1		01.09.07		D. LEGRAND		F. HAUTIER		F. HAUTIER		F. HAUTIER	
83808-xxxxx		Frame bar		01.09.07		01		1:1		01.09.07		D. LEGRAND		F. HAUTIER		F. HAUTIER		F. HAUTIER	
83808-xxxxx		Ground contact		01.09.07		01		1:1		01.09.07		D. LEGRAND		F. HAUTIER		F. HAUTIER		F. HAUTIER	