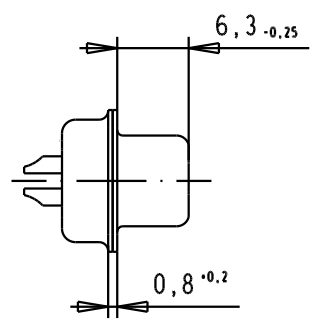
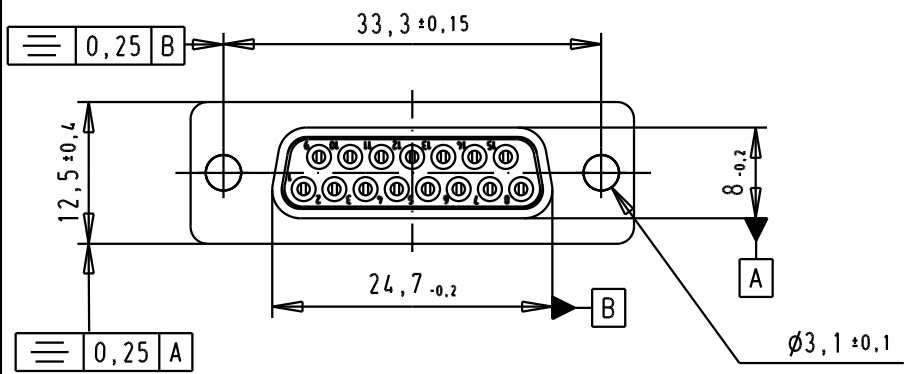
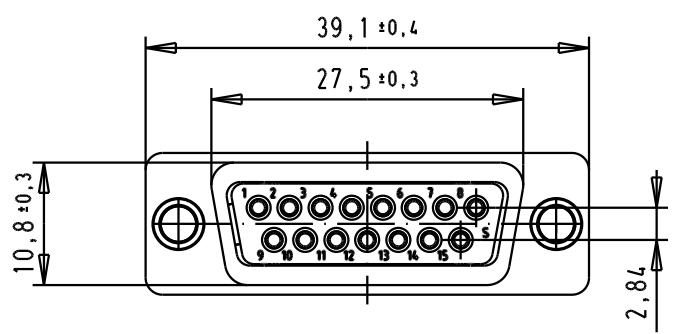
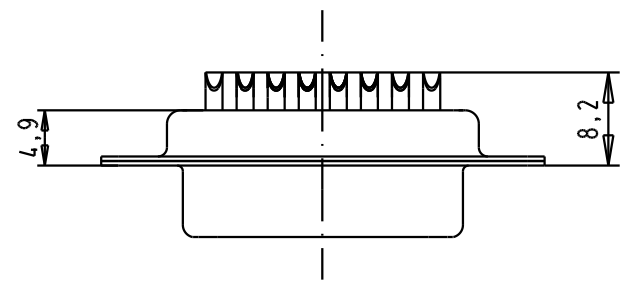


5 4 3 2 1



Solder buckets for AWG 20 Max

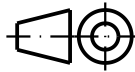



SPECIFICATION

Mating Cycles	500
Filter type	C
Capacitance	47pf ± 20%
Working Voltage	100v
Current Rating	7,5A
Insulation Resistance	>1GΩ

FREQUENCY (MHz)	ATTENUATION dB
5	-
10	-
50	-
100	-
500	30dB
1000	35dB

D
C
B
A

				Dat.	Name	 All Dim. in mm Orig. Size DIN A 4
			Detail.	8-JUL-02	CV	
			Insp.			
			Stand.			
33250	03/11/05	JMDR	HARTING EURL			
31058	8-JUL-02	CV	F-95972 Paris			
Mod.	Dat.	Name				

D-Sub, female, straight
 15 Poles, turned solder
 buckets, tin plated shell
 with holes

TB 09642117210

Sub.

Mo?MsTab/
 Scale
 1.5:1

Blatt/ Page
 1 / 1