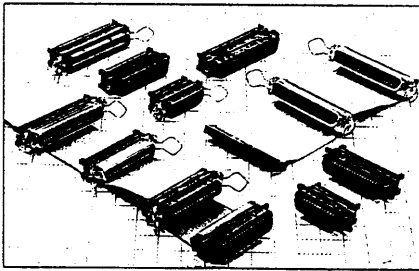


285-018-7067

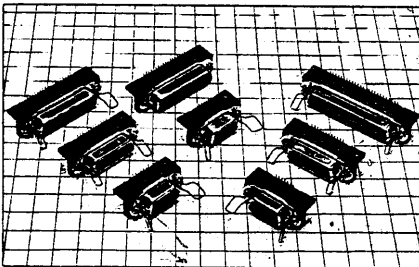
# TABLE OF CONTENTS



## 5F SERIES

### I. D. C. RIBBON CONNECTORS

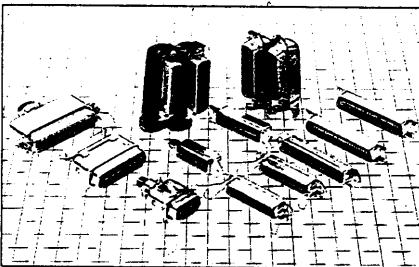
- Features / Performance Characteristics / Ordering Information ..... 3
- Dimensions of Male / Female - 5F10-P, 5F20-P (Rack & Panel Type) ..... 4
- Dimensions of Male / Female - 5F20-M (Rack & Panel Type),  
5F30-P, 5F30-M (Cable to Panel Type) ..... 5
- Dimensions of Female - 5F40-P, 5F40-M (Cable to Panel Type) ..... 6
- Dimensions of Strain Relief / Mount Panel & Mounting Types ..... 7



## 5L SERIES

### RIGHT ANGLE P. C. B. MOUNTING TYPE RIBBON CONNECTORS

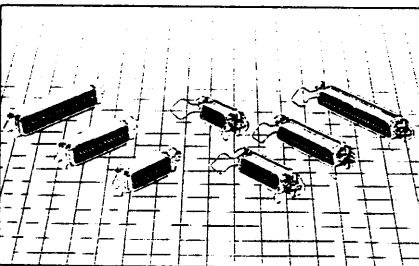
- Features / Performance Characteristics / Ordering Information ..... 8
- Dimensions of Male / Female - 5L10, 5L20, 5L40 Series ..... 9
- Dimensions of P. C. B. Layout, Panel Cutout & Mounting Types ..... 10



## 5S SERIES

### SOLDER TYPE RIBBON CONNECTORS

- Features / Performance Characteristics / Ordering Information ..... 11
- Dimensions of Male / Female - 5S10, 5S20 (Rack & Panel Type) ..... 12
- Dimensions of Female - 5S40 (Cable to Panel Type),  
5S60, 5S90 (Cable to Top Entry Type) ..... 13,14



## 5T SERIES

### STRAIGHT P. C. B. MOUNTING TYPE RIBBON CONNECTORS

- Features / Performance Characteristics / Ordering Information ..... 15
- Dimensions of Male / Female - 5T10, 5T20 Series ..... 16
- Dimensions of Female - 5T40 Series, P. C. B. Layout ..... 17
- Dimensions of Mounting Types ..... 18

#### Remarks :

1. This catalog only containing popular items. Special needs available upon requests. Please contact EDA representatives.
2. Design and specifications are subject to change without notice for further improvement.

# 5F SERIES

## .D.C. RIBBON CONNECTORS

### FEATURES

- Suitable for connecting flat cable with center line of 1.27mm (0.050") and intermateable with other standard ribbon connectors.
- Designed with I.D.C. contacts for fast, economical and reliable connection.
- Standard connectors are fitted with pre-assembled housing and strain relief.
- Various mounting types provided and easy for selection.
- Metal front shells are provided to shield against EMI.
- Standard spring latches on receptacle connectors, and thread mounting inserts are available for mounting selection.
- Insulator is made of polyester resin and glass fiber reinforced (UL 94V-0) providing superior heat and chemical resistance.
- Available contacts with 24, 36 and 50 positions.
- Recognized UL under the component program of Underwriters Laboratories Inc. File No. E 112081

### PERFORMANCE CHARACTERISTICS

#### ELECTRICAL :

- Current Rating : 1 Amp
- Dielectric Withstanding Voltage : AC 500 V min. (For 1 minute)
- Insulation Resistance : 1000 MΩ min. (At 500V DC)
- Contact Resistance : 20 mΩ max. mated

#### MECHANICAL :

- Insulator Material : Polyester and glass fiber reinforced (UL 94V-0)
- Contact Material : Phosphor Bronze
- Contact Finish : Gold over nickel
- I.D.C. Terminal Finish : Tin-lead over nickel
- Durability : 100 Cycles min.
- Wire Size : AWG 26 or 28 stranded, 1.27 mm conductor center flat cable
- Mating and Unmating Force
 

Contact Numbers	24	36	50
Mating Force (Kgf max.)	3.4	5.0	7.0
Unmating Force (Kgf min.)	1.5	2.2	3.0

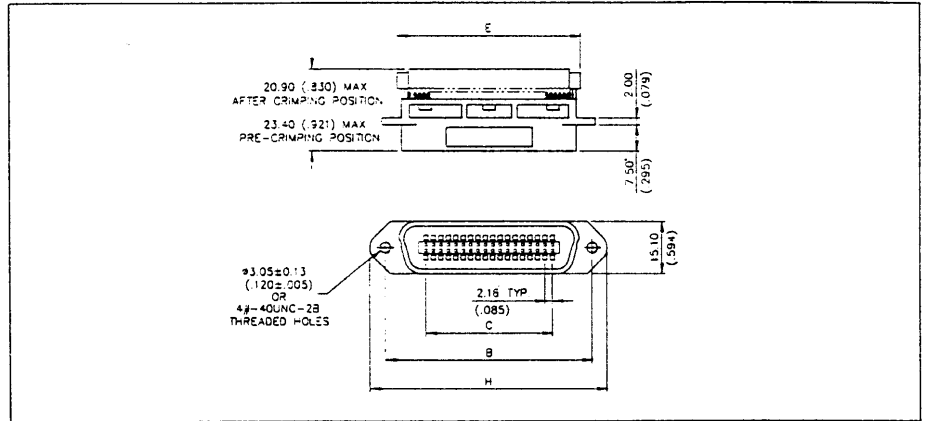
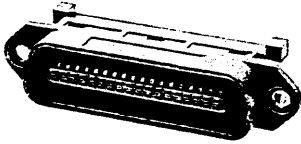
### ORDERING INFORMATION

	5F	10	360	P-	2	0	P	S
<b>Series Number :</b> 5F ... I.D.C. ribbon connector								
<b>Contact &amp; Connecting Types :</b> 10 ... Plug, rack & panel connecting type 20 ... Socket, rack & panel connecting type 30 ... Plug, cable to panel connecting type 40 ... Socket, cable to panel connecting type								
<b>Number of Contacts :</b> 240 ... 24 Positions 360 ... 36 Positions 500 ... 50 Positions								
<b>Housing Construction Types :</b> P ... All plastic type M ... With metal front shell								
<b>Color Codes :</b> 1 ... Blue 2 ... Gray 3 ... Black								
<b>Contact Finish :</b> 0 ... Selected gold flash over nickel 2 ... 15μ" Selected gold plated over nickel 3 ... 30μ" Selected gold plated over nickel								
<b>Strain Relief :</b> N ... Without strain relief P ... Plastic strain relief								
<b>Mounting Types :</b> S ... Standard through holes R ... With rivet through holes T ... With #4-40UNC threaded insert N ... Without mounting holes (Bail mounting type) M ... With M 3x0.5 threaded holes W ... With M 2.6x0.45 threaded holes A ... With ø3.20 rivet								

# 5F SERIES I.D.C. RIBBON CONNECTORS

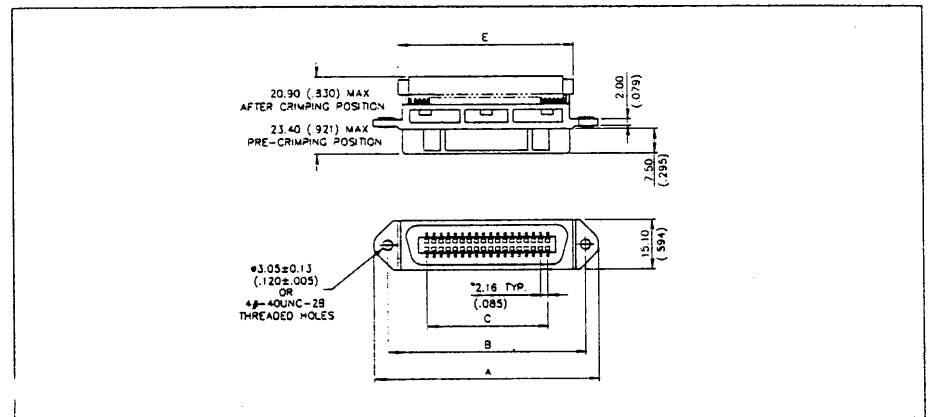
## MALE — 5F10 - P Series (Rack & Panel Type)

Unit : Millimeter (Inch)



## FEMALE — 5F20 - P Series (Rack & Panel Type)

Unit : Millimeter (Inch)



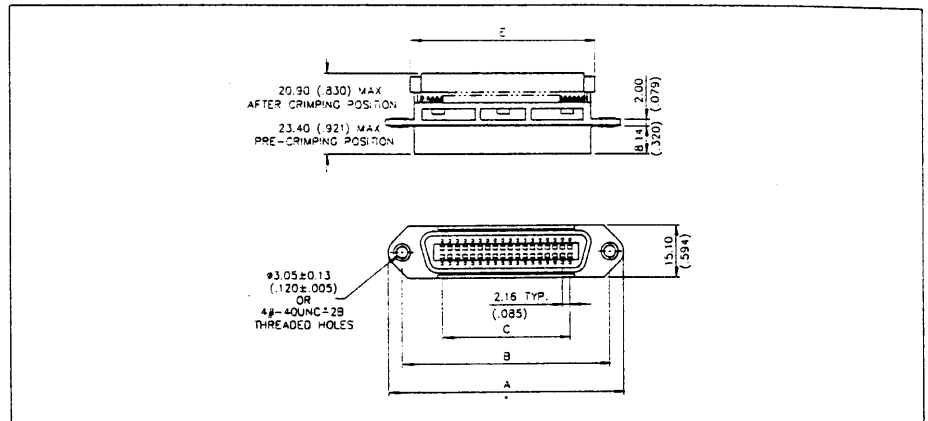
## DIMENSIONS

Unit : Millimeter (Inch)

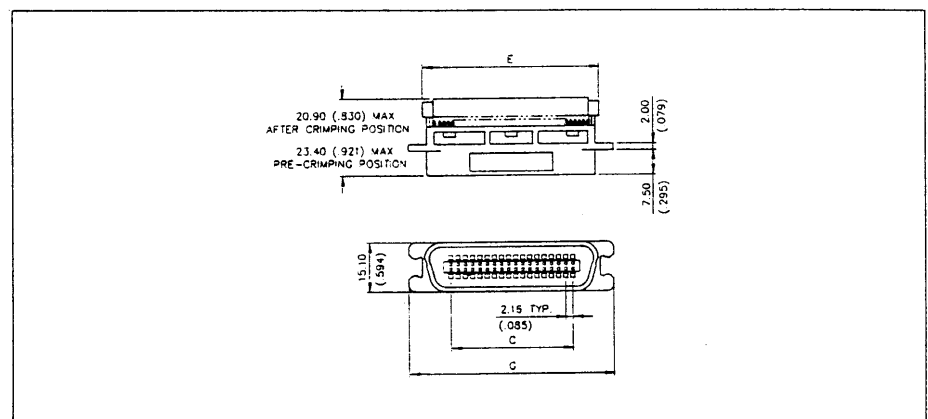
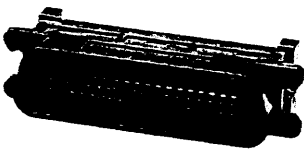
Number of Positions	A	B	C	E	H
	$\pm 0.25(0.010)$	$\pm 0.13(0.005)$	$\pm 0.13(0.005)$	$-0.25(0.010)$	$\pm 0.25(0.010)$
24	54.70(2.154)	46.78(1.842)	23.76(0.935)	35.50(1.398)	55.42(2.182)
36	67.80(2.669)	59.74(2.352)	36.72(1.446)	53.30(2.098)	68.38(2.692)
50	82.80(3.260)	74.85(2.947)	51.84(2.041)	68.50(2.697)	83.50(3.287)

# 5F SERIES I.D.C. RIBBON CONNECTORS

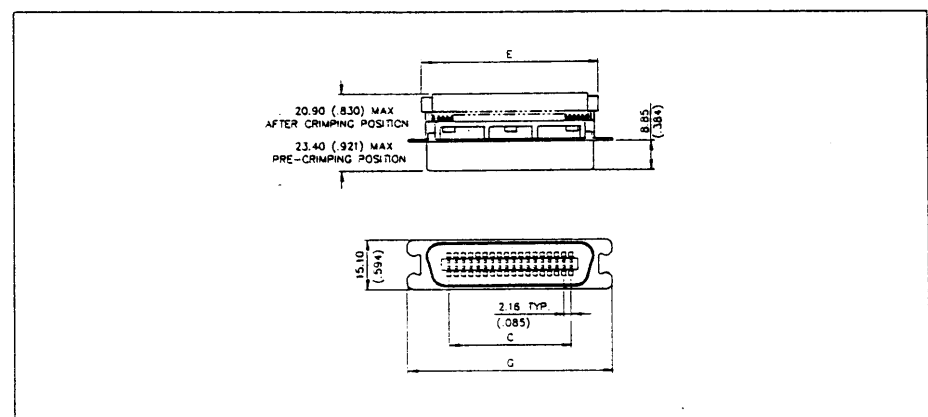
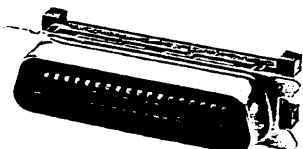
## FEMALE — 5F20 - M Series (Rack & Panel Type) Unit : Millimeter (Inch)



## MALE — 5F30 - P Series (Cable to Panel Type) Unit : Millimeter (Inch)

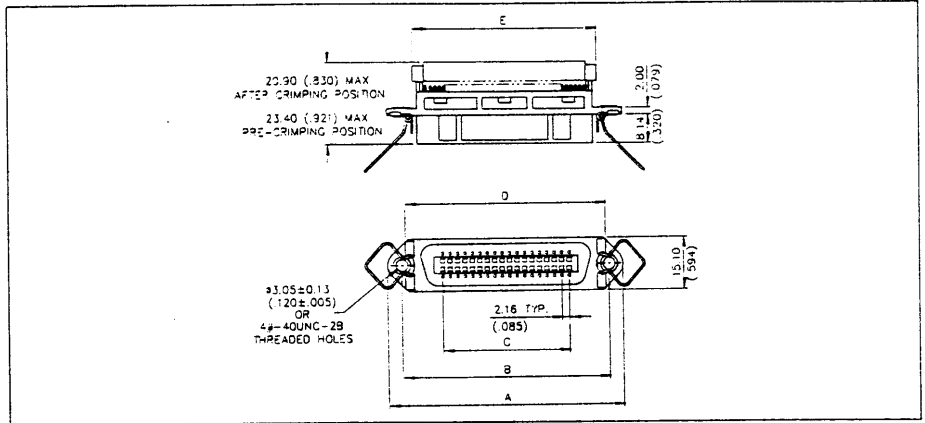


## MALE — 5F30 - M Series (Cable to Panel Type) Unit : Millimeter (Inch)

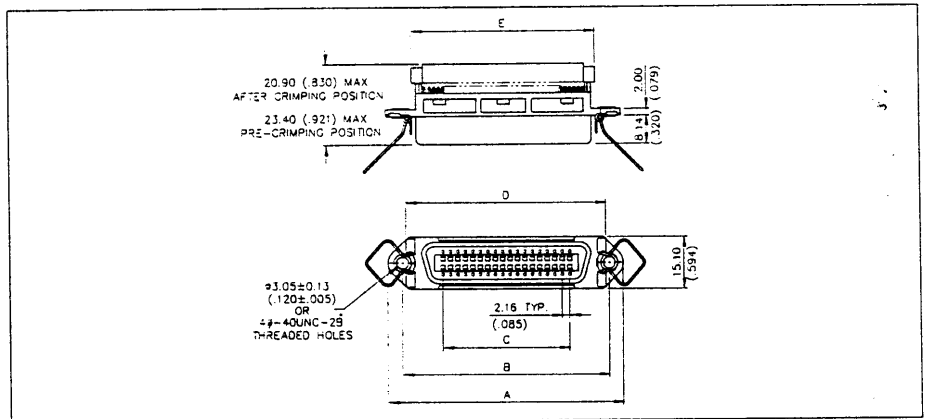
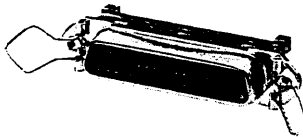


# 5F SERIES I.D.C. RIBBON CONNECTORS

## FEMALE — 5F40 - P Series (Cable to Panel Type) Unit : Millimeter (Inch)



## FEMALE — 5F40 - M Series (Cable to Panel Type) Unit : Millimeter (Inch)



### DIMENSIONS

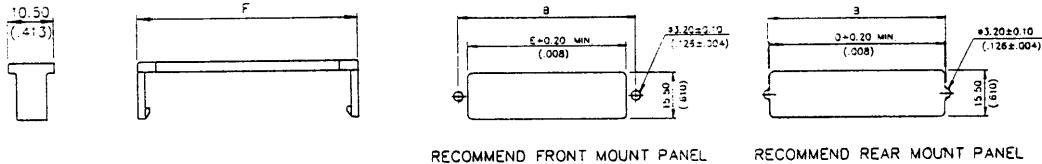
Unit : Millimeter (Inch)

Number of Positions	A	B	C	D	E	G
	$\pm 0.25$ (0.010)	$\pm 0.13$ (0.005)	$\pm 0.13$ (0.005)	-0.25(0.010)	-0.25(0.010)	$\pm 0.25$ (0.010)
24	54.70(2.154)	46.78(1.842)	23.76(0.935)	45.95(1.809)	35.50(1.398)	48.60(1.913)
36	67.80(2.669)	59.74(2.352)	36.72(1.446)	58.80(2.315)	53.30(2.098)	61.60(2.425)
50	82.80(3.260)	74.85(2.947)	51.84(2.041)	74.25(2.923)	68.50(2.697)	76.70(3.020)

# 5F SERIES I.D.C. RIBBON CONNECTORS

## STRAIN RELIEF / MOUNT PANEL

Unit : Millimeter (Inch)



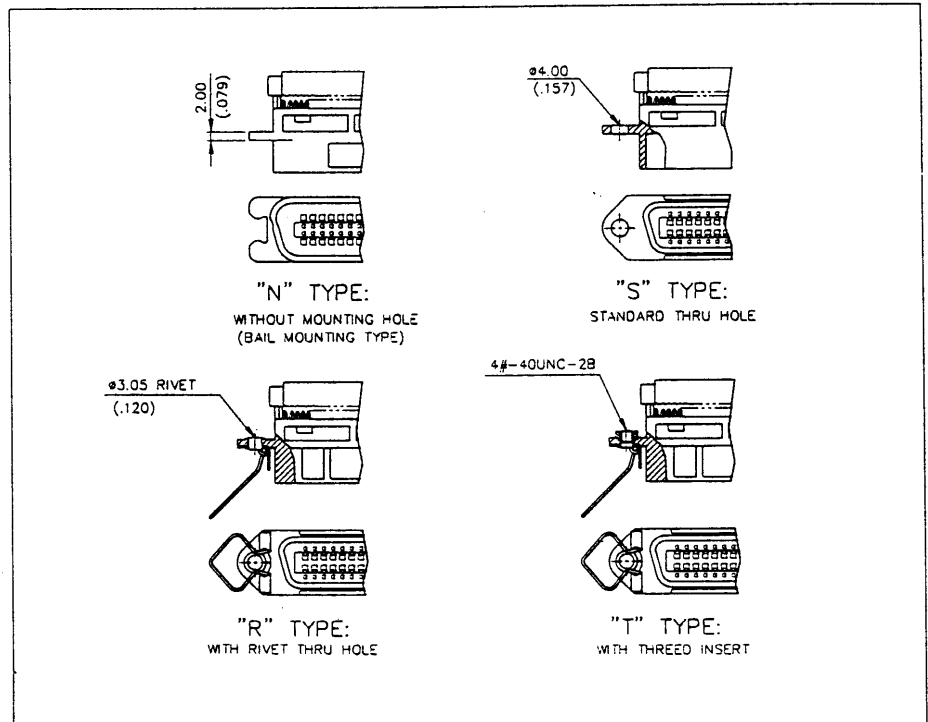
## DIMENSIONS

Unit : Millimeter (Inch)

Number of Positions	B	D	E	F
	±0.13(0.005)	-0.25(0.010)	-0.25(0.010)	±0.25(0.010)
24	46.78(1.842)	45.95(1.809)	35.50(1.398)	37.50(1.476)
36	59.74(2.352)	58.80(2.315)	53.30(2.098)	54.40(2.142)
50	74.85(2.947)	74.25(2.923)	68.50(2.697)	70.50(2.776)

## MOUNTING TYPES

Unit : Millimeter (Inch)



## RIGHT ANGLE P.C.B. MOUNTING TYPE RIBBON CONNECTORS

### FEATURES

- Suitable for P.C.B. mount and interchangeable with other standard ribbon connectors.
- Solder tails are positioned securely.
- Metal front shells are provided to shield against EMI.
- Standard spring latches on receptacle connectors, and mounting thread are available for mounting selection.
- Insulator is made of polyester resin and glass fiber reinforced (UL 94V-0) providing superior heat and chemical resistance.
- Available contacts with 14, 24, 36 and 50 positions.
- Recognized UL under the component program of Underwriters Laboratories Inc. File No. E 112081

### PERFORMANCE CHARACTERISTICS

#### ELECTRICAL :

- **Current Rating**  
: 3 Amp
- **Dielectric Withstanding Voltage**  
: AC 1200 V min. (For 1 minute)
- **Insulation Resistance**  
: 1000 MΩ min. (At 500V DC)
- **Contact Resistance**  
: 25 mΩ max. mated
- **Working Temperature**  
: - 55°C to + 105°C

#### MECHANICAL :

- **Insulator Material**  
: Polyester resin and glass fiber reinforced (UL 94V-0)
  - **Contact Material**  
: Phosphor Bronze
  - **Contact Finish**  
: Gold over nickel
  - **Terminal Finish**  
: Tin-lead over nickel
  - **Durability**  
: 100 Cycles min.
  - **Mating and Unmating Force**
- |                           |     |     |     |     |
|---------------------------|-----|-----|-----|-----|
| Contact Numbers           | 14  | 24  | 36  | 50  |
| Mating Force (Kgf max.)   | 2.0 | 3.4 | 5.0 | 7.0 |
| Unmating Force (Kgf min.) | 0.9 | 1.5 | 2.2 | 3.0 |

### • ORDERING INFORMATION

5L - 10 360 M- 1 0 N H

**Series Number :**  
5L ... Right angle P.C.B. mounting type ribbon connector

**Contact & Connecting Types :**  
10 ... Plug, without spring latch  
20 ... Socket, without spring latch  
40 ... Socket, with spring latch

**Number of Contacts :**  
140 ... 14 Positions  
240 ... 24 Positions  
360 ... 36 Positions  
500 ... 50 Positions

**Housing Construction Types :**  
M ... With metal front shell

**Color Codes :**  
1 ... Blue 2 ... Gray 3 ... Black

**Contact Finish :**  
0 ... Selected gold flash over nickel  
2 ... 15μ" Selected gold plated over nickel  
3 ... 30μ" Selected gold plated over nickel

**Strain Relief :**  
N ... Without strain relief

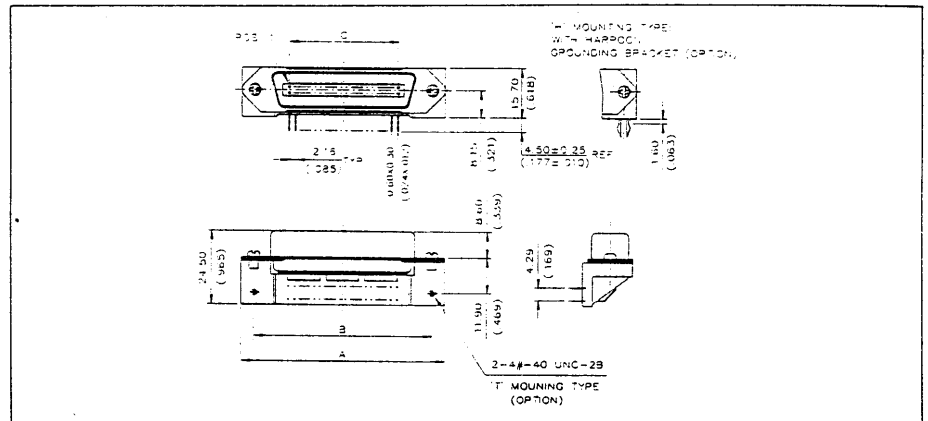
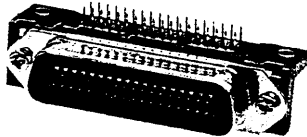
**Mounting Types :**  
H ... With boardlock grounding bracket  
T ... With 4#-40UNC grounding bracket

# 5L SERIES

## RIGHT ANGLE P.C.B. MOUNTING TYPE RIBBON CONNECTORS

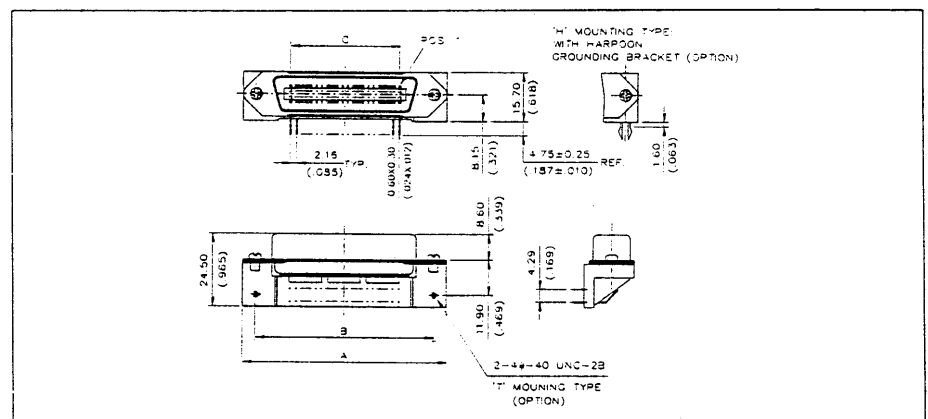
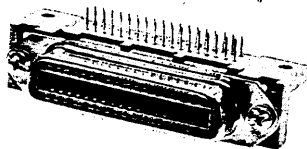
### MALE — 5L10 Series

Unit : Millimeter (Inch)



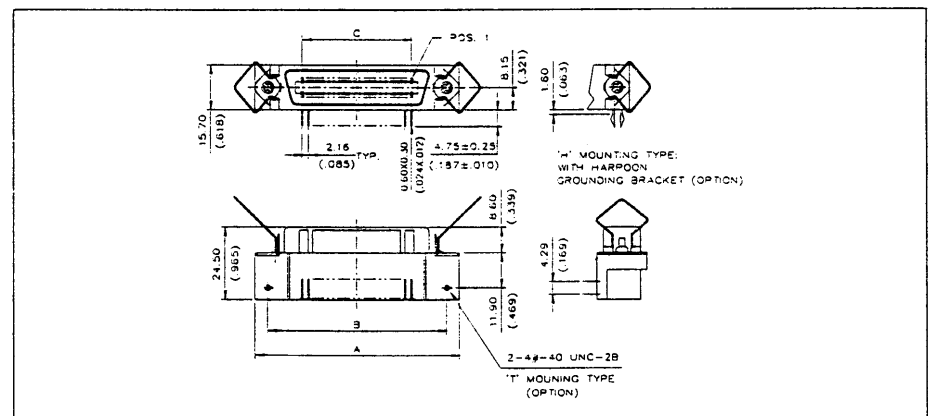
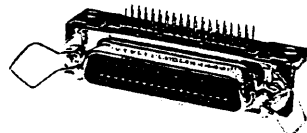
### FEMALE — 5L20 Series

Unit : Millimeter (Inch)



### FEMALE — 5L40 Series

Unit : Millimeter (Inch)



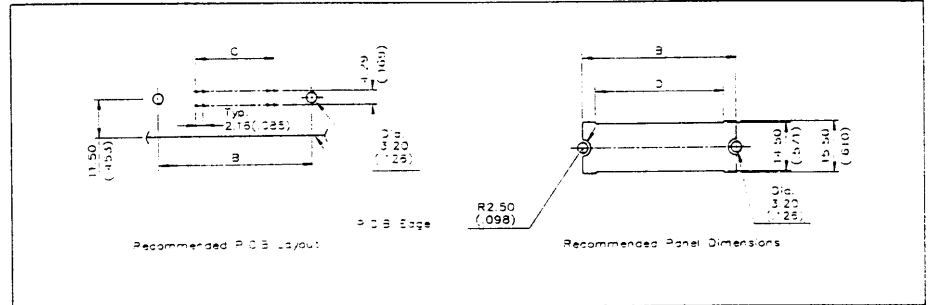


# 5L SERIES

## RIGHT ANGLE P.C.B. MOUNTING TYPE RIBBON CONNECTORS

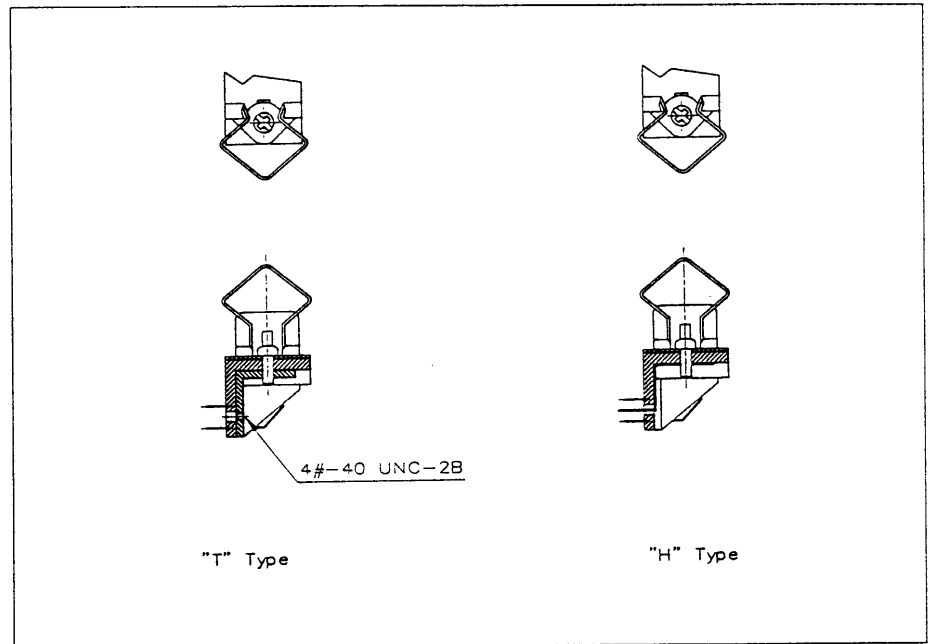
### P.C.B. LAYOUT / PANEL CUTOUT

Unit : Millimeter (Inch)



### MOUNTING TYPES

Unit : Millimeter (Inch)



### DIMENSIONS

Unit : Millimeter (Inch)

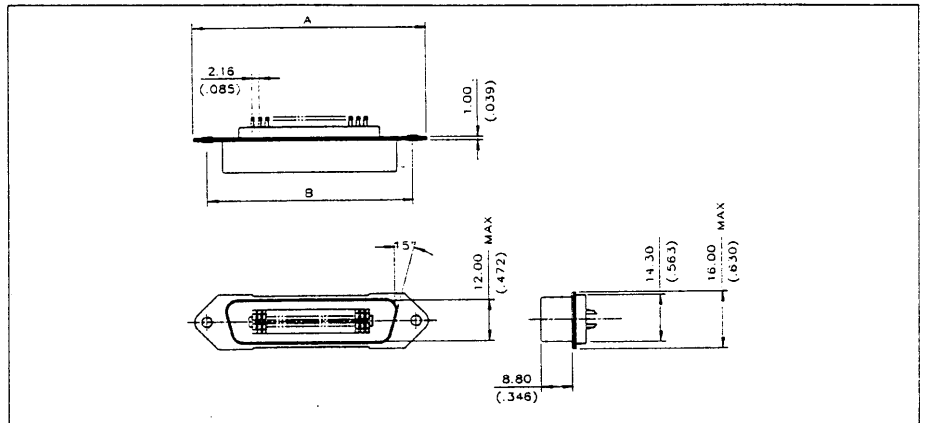
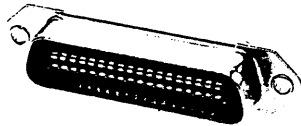
Number of Positions	A	B	C	D
	±0.36(0.014)	±0.13(0.005)	±0.13(0.005)	±0.13(0.005)
14	44.45(1.750)	35.99(1.417)	12.96(0.510)	28.20(1.110)
24	55.25(2.175)	46.78(1.842)	23.76(0.935)	39.00(1.535)
36	68.20(2.685)	59.74(2.352)	36.72(1.446)	52.00(2.047)
50	83.30(3.280)	74.85(2.947)	51.84(2.041)	66.10(2.602)

# 5S SERIES

## SOLDER TYPE RIBBON CONNECTORS

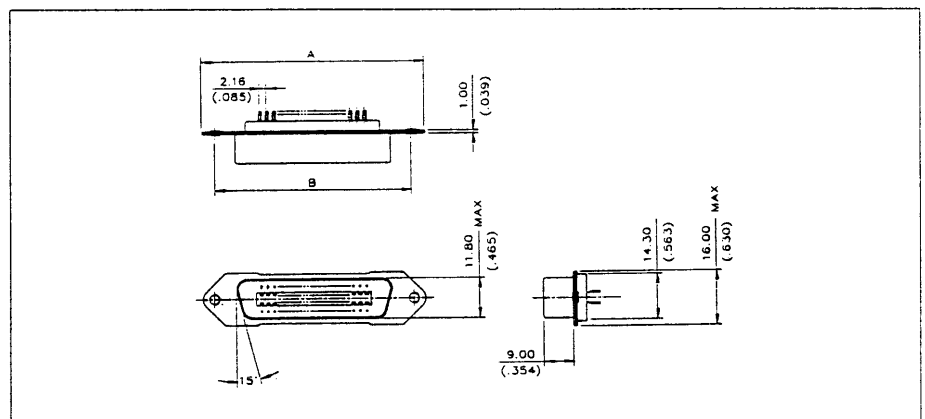
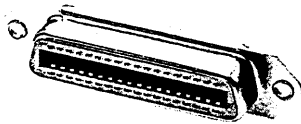
### MALE — 5S10 Series (Rack & Panel Type)

Unit : Millimeter (Inch)



### FEMALE — 5S20 Series (Rack & Panel Type)

Unit : Millimeter (Inch)



### DIMENSIONS

Unit : Millimeter (Inch)

Number of Positions	A	B	C
	±0.38(0.015)	±0.25(0.010)	±0.38(0.015)
14	43.90(1.728)	36.00(1.417)	44.14(1.738)
24	54.70(2.154)	46.80(1.843)	53.52(2.107)
36	67.70(2.665)	59.70(2.350)	67.74(2.667)
50	82.80(3.260)	74.90(2.949)	82.86(3.262)

# 5T SERIES

## STRAIGHT P.C.B. MOUNTING TYPE RIBBON CONNECTORS

### FEATURES

Suitable for P.C.B. mount and interchangeable with other standard ribbon connectors.

Various P.C.B. mounting types provided and easy for selection.

Metal front shells are provided to shield against EMI.

Standard spring latches on receptacle connectors, and mounting thread are available for mounting selection.

Insulator is made of polyester resin and glass fiber reinforced (UL 94V-0) providing superior heat and chemical resistance.

Available contacts with 14, 24, 36 and 50 positions.

Recognized UL under the component program of Underwriters Laboratories Inc. File No. E 112081

### PERFORMANCE CHARACTERISTICS

#### ELECTRICAL :

**Current Rating**  
: 3 Amp

**Dielectric Withstanding Voltage**  
: AC 1200 V min. (For 1 minute)

**Insulation Resistance**  
: 1000 MΩ min. (At 500V DC)

**Contact Resistance**  
: 25 mΩ max. mated

**Working Temperature**  
: - 55°C to + 105°C

#### MECHANICAL :

**Insulator Material**  
: Polyester resin and glass fiber reinforced (UL 94V-0)

**Contact Material**  
: Phosphor Bronze

**Contact Finish**  
: Gold over nickel

**Terminal Finish**  
: Tin-lead over nickel

**Durability**  
: 100 Cycles min.

#### Mating and Unmating Force

Contact Numbers	14	24	36	50
Mating Force (Kgf max.)	2.0	3.4	5.0	7.0
Unmating Force (Kgf min.)	0.9	1.5	2.2	3.0

### ORDERING INFORMATION

5T 10 360 M- 1 0 N S

**Series Number :**  
5T ... Straight P.C.B. mounting type ribbon connector

**Contact & Connecting Types :**  
10 ... Plug, without spring latch  
20 ... Socket, without spring latch  
40 ... Socket, with spring latch

**Number of Contacts :**  
140 ... 14 Positions  
240 ... 24 Positions  
360 ... 36 Positions  
500 ... 50 Positions

**Housing Construction Types :**  
M ... With metal front shell

**Color Codes :**  
1 ... Blue 2 ... Gray 3 ... Black

**Contact Finish :**  
0 ... Selected gold flash over nickel  
2 ... 15μ" Selected gold plated over nickel  
3 ... 30μ" Selected gold plated over nickel

**Strain Relief :**  
N ... Without strain relief

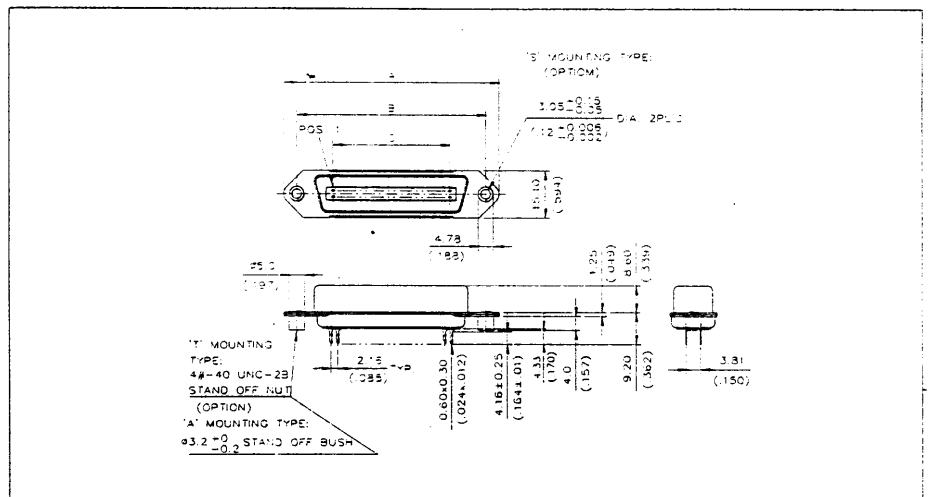
**Mounting Types :**  
S ... Standard thru holes  
T ... With 4#-40UNC stand off nut  
A ... With ø3.20 thru holes stand off bush

# 5T SERIES

## STRAIGHT P.C.B. MOUNTING TYPE RIBBON CONNECTORS

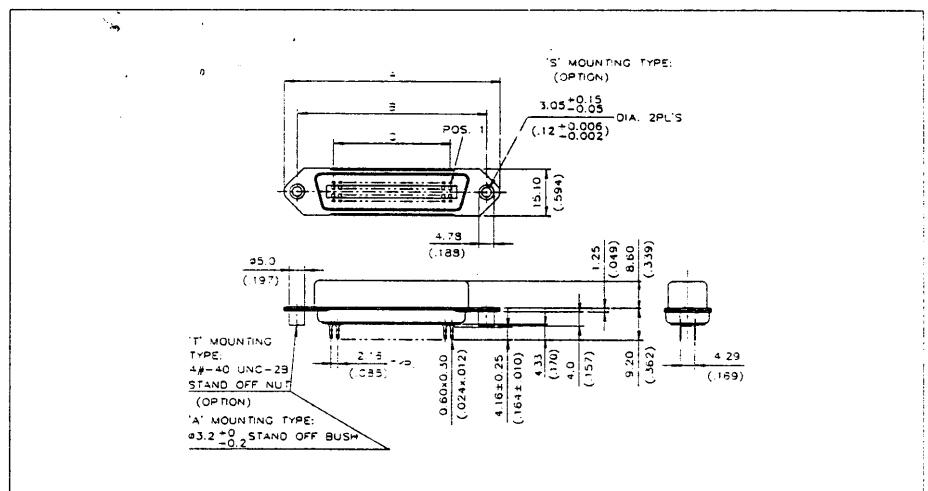
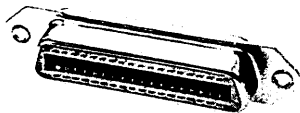
### MALE — 5T10 Series

Unit : Millimeter (Inch)



### FEMALE — 5T20 Series

Unit : Millimeter (Inch)



### DIMENSIONS

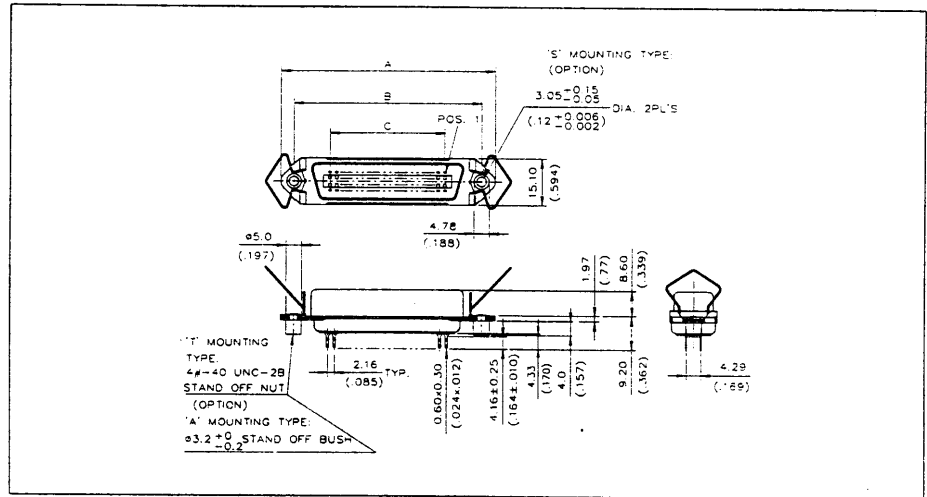
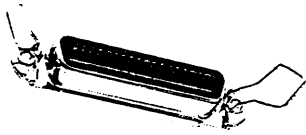
Unit : Millimeter (Inch)

Number of Positions	A	B	C
	±0.36(0.014)	±0.13(0.005)	±0.13(0.005)
14	44.45(1.750)	35.99(1.417)	12.96(0.510)
24	55.25(2.175)	46.78(1.842)	23.76(0.935)
36	68.20(2.685)	59.74(2.352)	36.72(1.446)
50	83.30(3.280)	74.85(2.947)	51.84(2.041)

# 5T SERIES

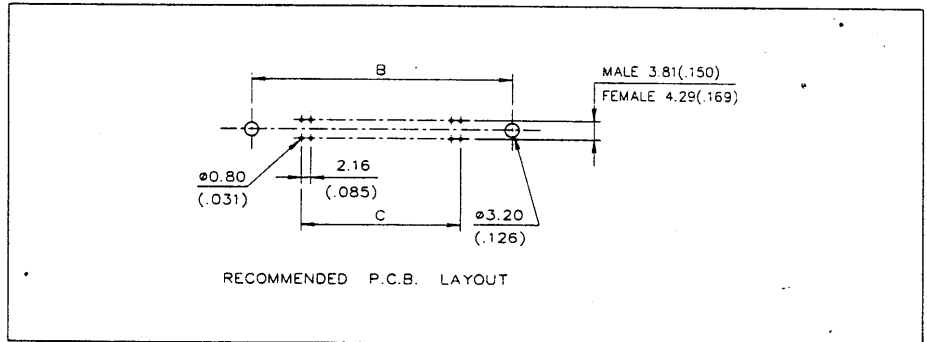
## STRAIGHT P.C.B. MOUNTING TYPE RIBBON CONNECTORS

### FEMALE — 5T40 Series (With Spring Latch Type) Unit : Millimeter (Inch)



### P.C.B. LAYOUT

Unit : Millimeter (Inch)

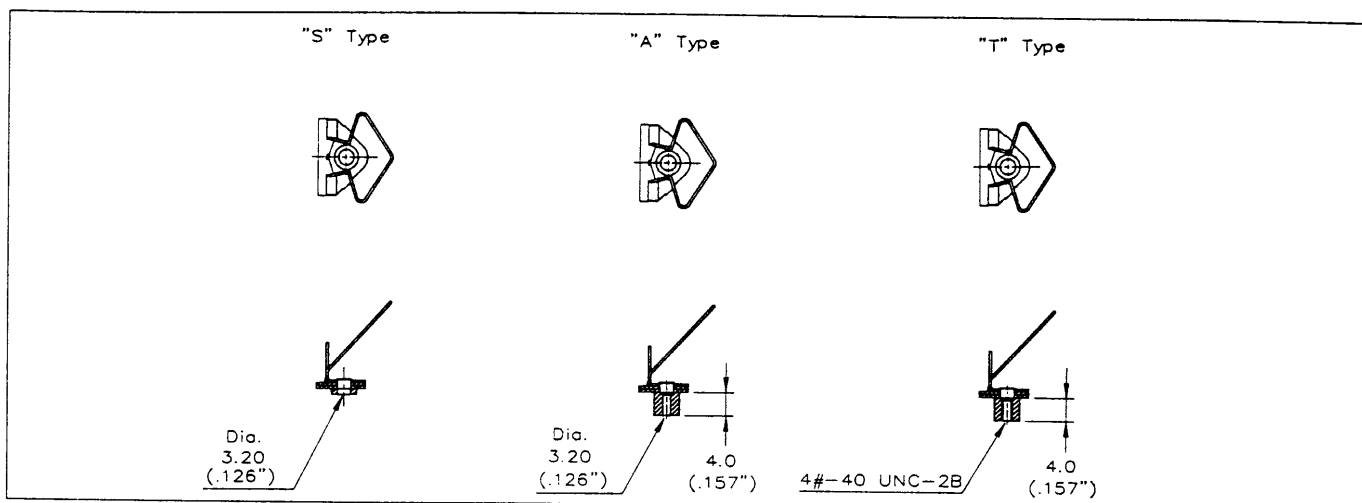


### DIMENSIONS

Unit : Millimeter (Inch)

Number of Positions	A	B	C
	±0.36(0.014)	±0.13(0.005)	±0.13(0.005)
14	44.45(1.750)	35.99(1.417)	12.96(0.510)
24	55.25(2.175)	46.78(1.842)	23.76(0.935)
36	68.20(2.685)	59.74(2.352)	36.72(1.446)
50	83.30(3.280)	74.85(2.947)	51.84(2.041)

# 5T SERIES STRAIGHT P.C.B. MOUNTING TYPE RIBBON CONNECTORS



# 5S SERIES

## SOLDER TYPE RIBBON CONNECTORS

### FEATURES

Suitable for cable assembly and interchangeable with other standard ribbon connectors.

Standard spring latches on receptacle connectors, and mounting thread are available for mounting selection.

Metal front shells are provided to shield against EMI.

Insulator is made of polyester resin and glass fiber reinforced (UL 94V-0) providing superior heat and chemical resistance.

Available contacts with 14, 24, 36 and 50 positions.

Recognized UL under the component program of Underwriter Laboratories Inc. File No. E 112081

### PERFORMANCE CHARACTERISTICS

#### ELECTRICAL :

- **Current Rating**  
: 3 Amp
- **Dielectric Withstanding Voltage**  
: AC 1200 V min. (For 1 minute)
- **Insulation Resistance**  
: 1000 MΩ min. (At 500V DC)
- **Contact Resistance**  
: 25 mΩ max. mated
- **Working Temperature**  
: - 55°C to + 105°C

#### MECHANICAL :

- **Insulator Material**  
: Polyester resin and glass fiber reinforced(UL 94V-0)
- **Contact Material**  
: Phosphor Bronze
- **Contact Finish**  
: Gold over nickel
- **Soldertail Finish**  
: Tin-lead over nickel
- **Durability**  
: 100 Cycles min.
- **Mating and Unmating Force**  

Contact Numbers	14	24	36	50
Mating Force (Kgf max.)	2.0	3.4	5.0	7.0
Unmating Force (Kgf min.)	0.9	1.5	2.2	3.0

### ORDERING INFORMATION

5S 10 360 M- 1 0 N S

**Series Number :**  
5S ... Solder Type Ribbon connector

**Contact & Connecting Types :**  
 10 ... Plug, rack & panel connecting type  
 20 ... Socket, rack & panel connecting type  
 40 ... Socket, cable to panel connecting type  
 60 ... Socket, cable to cable top entry connecting type  
 90 ... Plug, cable to cable top entry connecting type

**Number of Contacts :**  
 140 ... 14 Positions, 240 ... 24 Positions  
 360 ... 36 Positions, 500 ... 50 Positions

**Metal Shell Finish :**  
 P ... All plastic type  
 M ... Nickel plated shell  
 T ... Tin plated shell  
 G ... Nickel plated shell, with grounding indents  
 H ... Tin plated shell, with grounding indents

**Color Codes :**  
 1 ... Blue 2 ... Gray 3 ... Black

**Contact Finish :**  
 0 ... Selectived gold flash over nickel  
 2 ... 15μ" Selectived gold plated over nickel  
 3 ... 30μ" Selectived gold plated over nickel

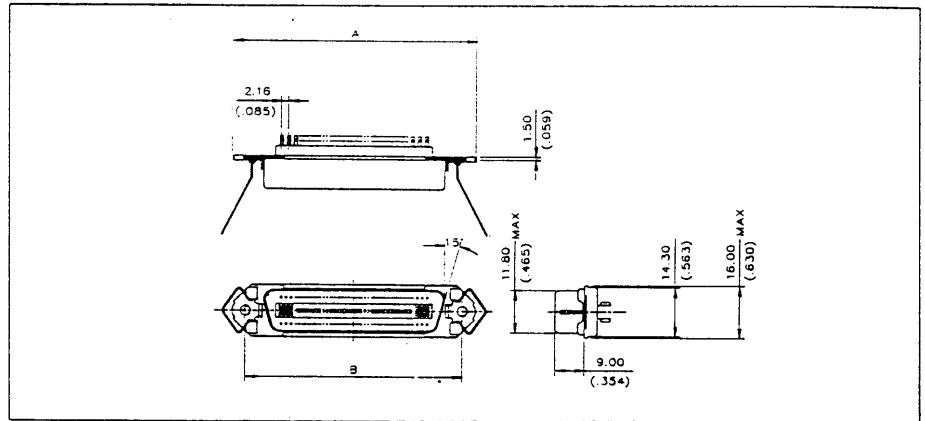
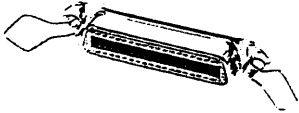
**Strain Relief :**  
 N ... Without strain relief  
 P ... Plastic strain relief

**Mounting Types :**  
 N ... Without mounting holes  
 S ... Standard through holes  
 R ... With rivet through holes  
 T ... With 4#-40UNC threaded insert  
 M ... With M 3x0.5 threaded insert  
 W ... With M 2.6x0.45 threaded insert  
 H ... With boardlock

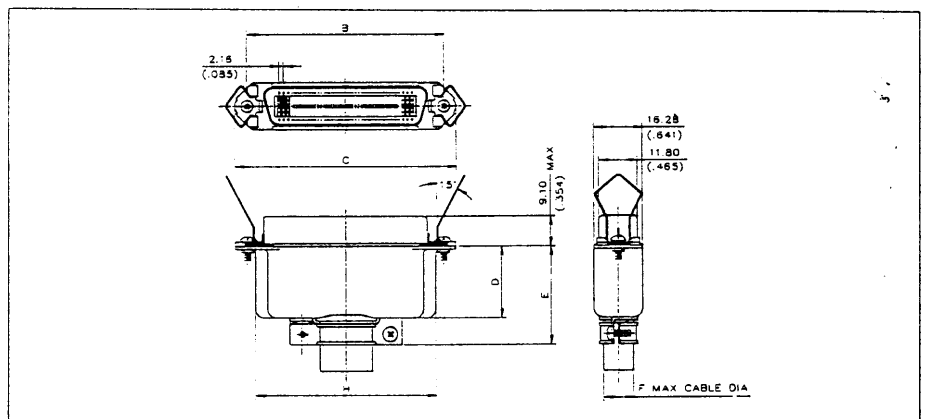
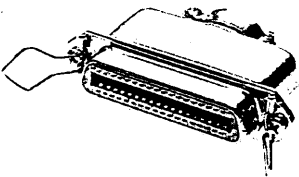
# 5S SERIES

## SOLDER TYPE ROBBON CONNECTORS

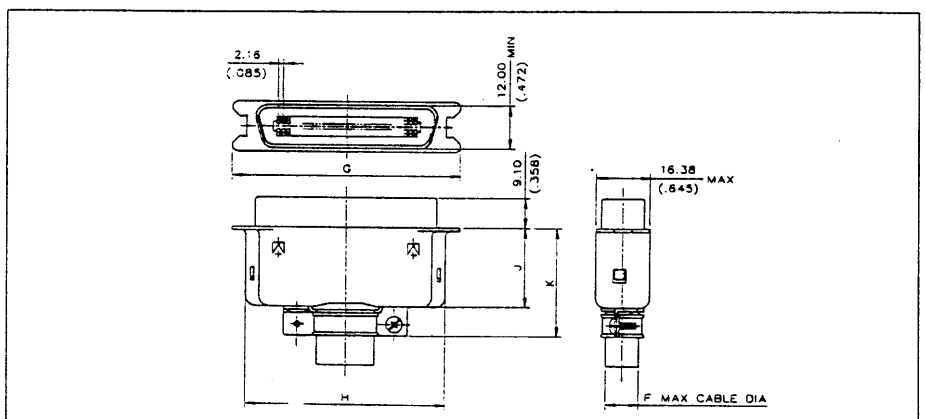
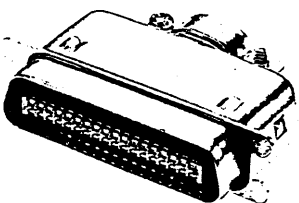
### FEMALE — 5S40 Series (Cable to Panel Type) Unit : Millimeter (Inch)



### FEMALE — 5S60 Series (Cable to Cable Top Entry Type) Unit : Millimeter (Inch)



### MALE — 5S90 Series (Cable to Cable Top Entry Type) Unit : Millimeter (Inch)





# 5S SERIES

## SOLDER TYPE RIBBON CONNECTORS

### DIMENSIONS

Unit : Millimeter (Inch)

Number of Positions	A	B	C	D	E	F	G	H	J	K
	±0.38(0.015)	±0.25(0.010)	±0.38(0.015)	±0.38(0.015)	±0.38(0.015)	±0.38(0.015)	±0.38(0.015)	±0.38(0.015)	±0.38(0.015)	±0.38(0.015)
14	43.90(1.728)	36.00(1.417)	44.14(1.738)	21.40(0.843)	32.30(1.272)	8.84(0.348)	44.95(1.767)	29.29(1.153)	21.59(0.850)	31.88(1.255)
24	54.70(2.154)	46.80(1.843)	53.52(2.107)	21.00(0.827)	31.90(1.256)	12.01(0.473)	55.75(2.195)	40.08(1.578)	21.08(0.830)	31.37(1.235)
36	67.70(2.665)	59.70(2.350)	67.74(2.667)	23.00(0.906)	33.30(1.311)	12.70(0.500)	68.71(2.705)	68.15(2.683)	23.11(0.910)	33.40(1.315)
50	82.80(3.260)	74.90(2.949)	82.86(3.262)	25.40(1.000)	35.90(1.413)	12.70(0.500)	83.82(3.300)	68.15(2.683)	25.40(1.000)	35.69(1.405)