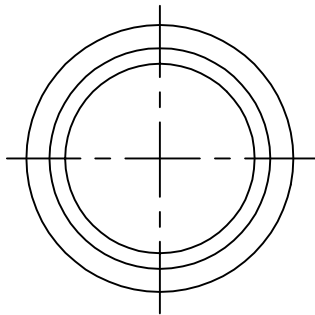
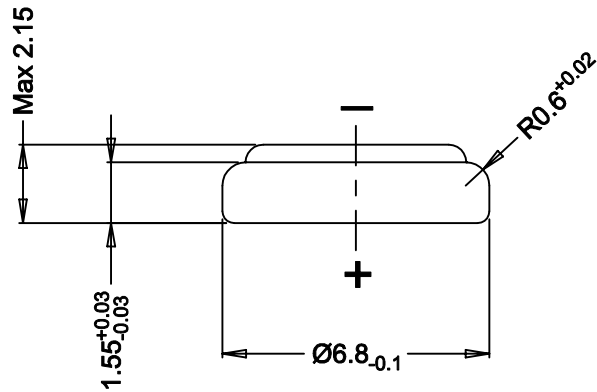
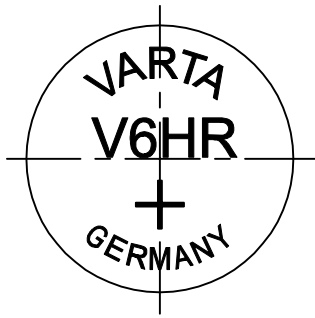


**This is a controlled document.**  
 Hardcopy to be endorsed by authorized person.  
 Check with Issuing Office or SAP system for latest update.



No.	Alterations:	Date:	Name:	Dimensions in mm	Material:
0	Refer to Ellwangen dwg. # 687135 (Rev. 02)	2003-09-05	Ratna	Tolerance: As specified	-
				Projection:	Description:  <b>V6HR Cell</b>
				Scale: 5 : 1	
				Date: Name:	
				Prepared: 2003-09-05 Ratna	
				Approved: 2003-	
RIGHTS RESERVED TO MAKE TECHNICAL CHANGES, AS A RESULT OF FURTHER DEVELOPMENT, WITHOUT NOTICE. THIS DRAWING IS THE PROPERTY OF VARTA BATTERIES PTE LTD AND MUST NOT BE COPIED OR DISCLOSED TO A THIRD PARTY WITHOUT THE WRITTEN CONSENT OF VARTA BATTERIES PTE LTD.					
				Dwg. No:	688236
				VKB Order No:	55996 101 501
				Released :	2003-09-05

4 0 0