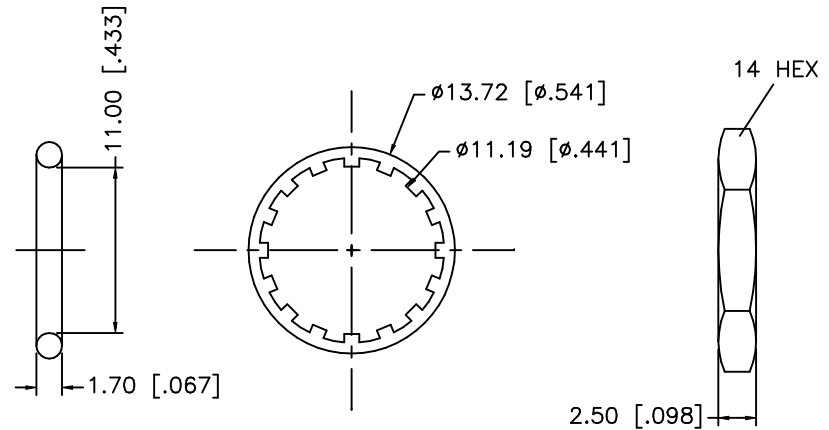
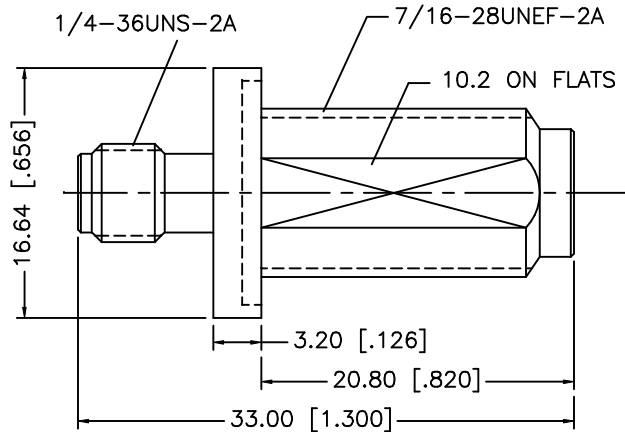
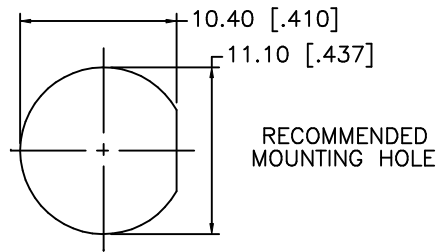


| REV. | DATE     | DESCRIPTION     |
|------|----------|-----------------|
| NC   | 10/14/01 | INITIAL RELEASE |



|   |             |              |         |
|---|-------------|--------------|---------|
| 8 |             |              |         |
| 7 |             |              |         |
| 6 | HEX NUT     | BRASS        | NICKEL  |
| 5 | LOCK WASHER | PHOS. BRONZE | NICKEL  |
| 4 | GASKET      | SILICONE     | RED     |
| 3 | CONTACT PIN | BER. COPPER  | GOLD    |
| 2 | INSULATOR   | TEFLON       | NATURAL |
| 1 | BODY        | BRASS        | NICKEL  |
|   | DESCRIPTION | MATERIAL     | FINISH  |

UNLESS OTHERWISE SPECIFIED  
DIMENSIONS ARE IN MILLIMETERS

APPROVALS

DATE

DIMENSIONS IN [ ]  
ARE IN INCHES FOR  
CUSTOMER REFERENCE ONLY

DRAWN G.R.S. 10/14/01

CHECKED

ISSUED

UNLESS OTHERWISE SPECIFIED  
TOLERANCES FOR INCHES ARE:

.XXX = ± 0.005"  
.XX = ± 0.010"  
.X = ± 0.020"

DO NOT SCALE DRAWING

**Amphenol - Connex**  
CONNECTOR CORPORATION

TITLE

SMA FEMALE TNC BULKHEAD FEMALE ADAPTER

SIZE

FSCM NO.

DWG. NO.

REV.

A

99001

242178.DWG

NC

SCALE

NA

PART NO.

242178

SHEET

1 OF 1