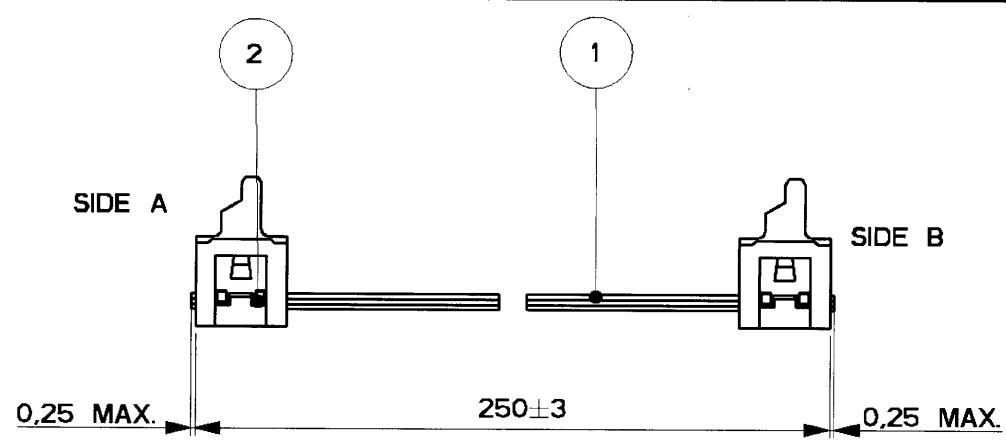
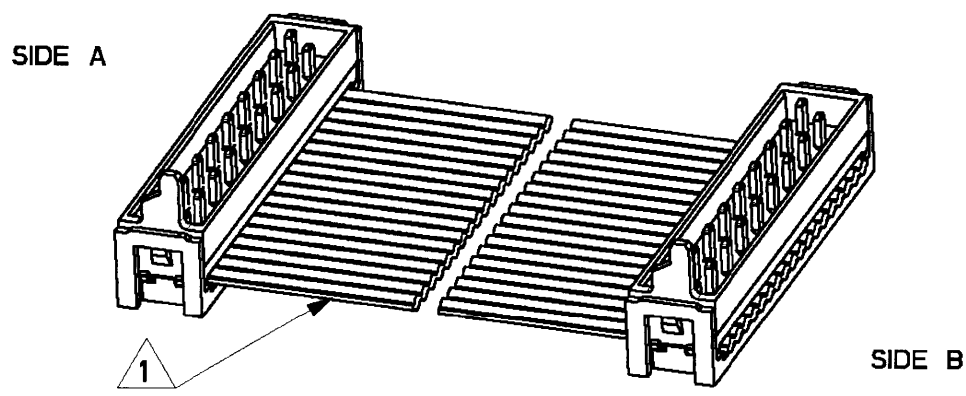


378-4587

THIS DRAWING IS A CONTROLLED DOCUMENT FOR Tyco Electronics Nederland B.V.
IT IS SUBJECT TO CHANGE AND THE CONTROLLING ENGINEERING ORGANIZATION SHOULD BE CONTACTED FOR THE LATEST REVISION.

LOC	DIST	LTR	REVISION RECORD	DATE	APVD
H	-	A	EH00-1269-01	20/11/01	HS
-	-	-	-	-	-
-	-	-	-	-	-

- 1 WIRE RED MARKED
- 2 ASSEMBLIES ARE PACKAGED ACCORDING PACKAGING SPEC 107-19582



ALL RIGHTS RESERVED. DATE: - XXXXXXXXXXXX By Tyco Electronics Nederland B.V.

THIS DRAWING IS UNPUBLISHED. COPYRIGHT -

2	MALE ON WIRE CONNECTOR	2
1	BULK WIRE FLAT RIBBON CABLE	1
Item no.	Description	QTY

DIMENSIONS: mm	DWN	H.Spelde	MATERIAL	FINISH
	CHK	H. Spelde	AMP Tyco Electronics Nederland B.V. 'S-HERTOGENBOSCH, THE NETHERLANDS	
TOLERANCES UNLESS OTHERWISE SPECIFIED:	APVD	E. Leijtens		
0 PLC ± -	PRODUCT SPEC	-		
1 PLC ± -	APPLICATION SPEC	-	NAME	Micro-MaTch Lead Ass'y
2 PLC ± -			SIZE	A4
3 PLC ± -			CAGE CODE	00779
4 PLC ± -			DRAWING NO	C-1483357-3
ANGLES ± -			CUSTOMER DRAWING	
	WEIGHT	-	SCALE	5:2
			SHEET	1 OF 1
			REV	A