



MRC 11 PIN STANDARD/LOW SIGNAL LEVEL/ OPEN CONTACTS

- Lockable test button
- Marking label on relay
- 2 window mechanical flag (not available on C3-G30)
- Colour coded test button
- Coil voltage marked on top of relay
- Label carries full technical information
- CE marked

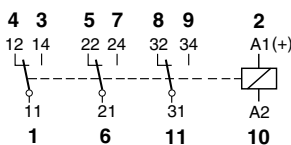


C3-A30... General purpose Three change-over contacts, 10 A

10A/250V AC1 10A @ 30V DC1
6A/250V AC15 0,5A @ 110V DC1

Contacts

Materials code 0 (standard); options: 8 - 9
Max. switching current 10 A
Peak inrush current (20 ms) 30 A
Max. switching voltage, (pollution 3) 250 V
Max. switching voltage, (pollution 2) 400 V
Max. AC load (Table 1, page 126) 2,5 KVA
Max. DC load See Table 2, page 126

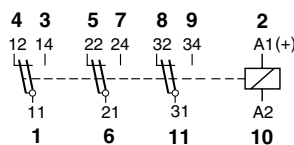


C3-T31... Low level 3 change-over, bifurcated contacts

6A/250V AC1 6A @ 30V DC1
Min. 5mA @ DC 5V

Contacts

Materials code 1 (standard); option: 2
Switching current: min. 5 mA, max. 6 A
Peak inrush current (15 ms) 15 A
Max. switching voltage, (pollution 3) 250 V
Max. switching voltage, (pollution 2) 400 V
Max. AC resistive load (Table 3) 1,2 KVA
Max. DC load See Table 18, page 133

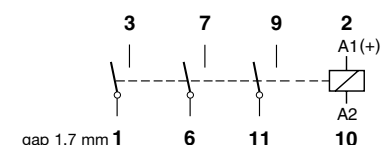


C3-G30... General purpose, DC Three open contacts

10A / 250V AC1 0,3A @ 110V DC13
1,2A @ 110V DC1 0,4A @ 220V DC1

Contacts

Materials code 0 (standard)
Max. switching current 10 A
Peak inrush current (20 ms) 30 A
Max. switching voltage, (pollution 3) 250 V
Max. switching voltage, (pollution 2) 400 V
Max. AC load (Table 1, page 126) 2,5 KVA
Max. DC load See Table 4



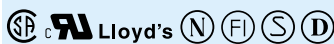
Standard types (50/60 Hz and DC)

AC 24, 48, 115 (110 ... 120), 230
X = LED (optional) C3-A30 X/ ... V
RC suppressor C3-A30R ... V
(LED not possible with RC suppressor)

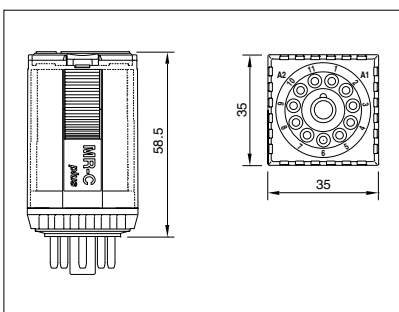
DC 12, 24, 48, 110, 120/125, 220
X = LED (optional) C3-A30 X/ ... V
Free wheeling diode C3-A30D X/ ... V
Free wheeling and polarity C3-A30F X/ ... V
AC/DC rectifier (60V max.) C3-A30B X/ ... V

Specifications

Nominal coil power: 2,2 VA (AC), 1,3 W (DC)
Operate time 16 ms.
Release time 8 ms.
Isolation: EN60947 pollution 3, Gr C 250V
Dielectric strength, contacts/coil 2,5 KV
Dielectric strength, pole/pole 2,5 KV



Dimensions (mm)



Standard types (50/60 Hz and DC)

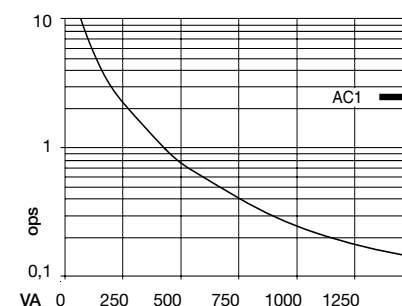
AC 24, 48, 115 (110 ... 120), 230
X = LED (optional) C3-T31 X/ ... V
RC suppressor C3-T31R ... V
(LED not possible with RC suppressor)

DC 12, 24, 48, 110, 120/125, 220
X = LED (optional) C3-T31 X/ ... V
Free wheeling diode C3-T31D X/ ... V
Free wheeling and polarity C3-T31F X/ ... V
AC/DC rectifier (60V max.) C3-T31B X/ ... V

Specifications

Nominal coil power: 2,2 VA (AC), 1,3 W (DC)
Operate time 16 ms.
Release time 8 ms.
Isolation: EN60947 pollution 3, Gr C 250V
Dielectric strength, contacts/coil 2,5 KV
Dielectric strength, pole/pole 2,5 KV

Table 3 Electrical life (ops x 10⁶)
Types C2-T21, C3-T31, C7-T21



Standard types (50/60 Hz and DC)

AC 24, 48, 115 (110 ... 120), 230
X = LED (optional) C3-G30 X/ ... V
RC suppressor C3-G30R ... V
(LED not possible with RC suppressor)

DC 12, 24, 48, 110, 120/125, 220
X = LED (optional) C3-G30 X/ ... V
Free wheeling diode C3-G30D X/ ... V
Free wheeling and polarity C3-G30F X/ ... V
AC/DC rectifier (60V max.) C3-G30B X/ ... V

Specifications

Nominal coil power: 2,4 VA (AC), 1,6 W (DC)
Operate time 20 ms.
Release time 10 ms.
Isolation: EN60947 pollution 3, Gr C 250V
Dielectric strength, contacts/coil 2,5 KV
Dielectric strength, pole/pole 2,5 KV

Table 4 Max. DC load
Types C2-G20, C3-G30

