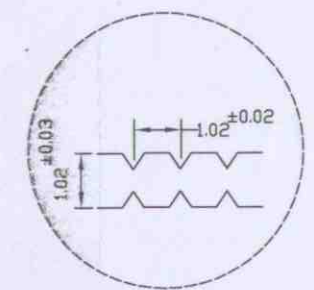
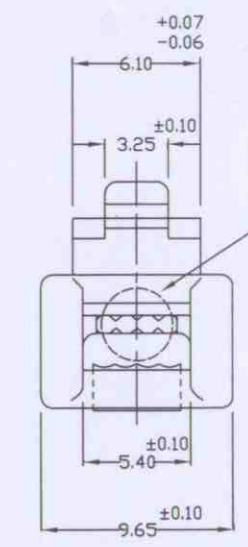
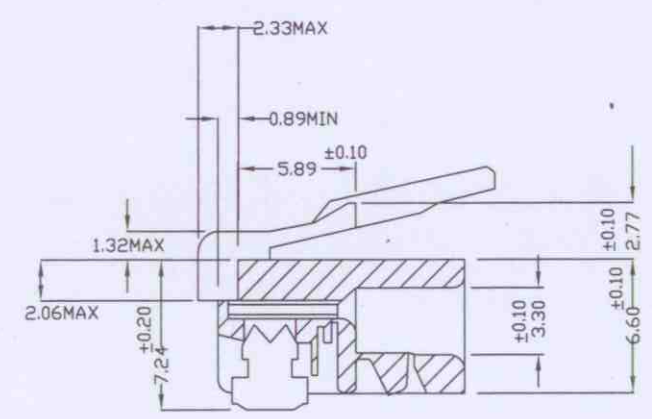
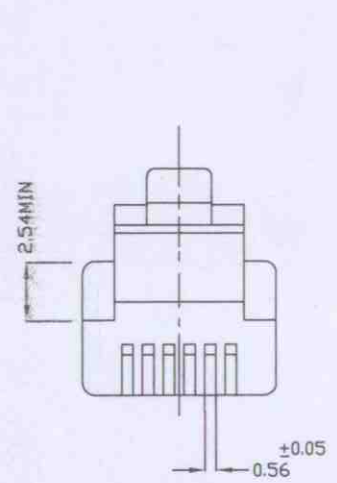
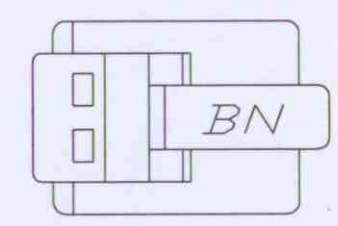
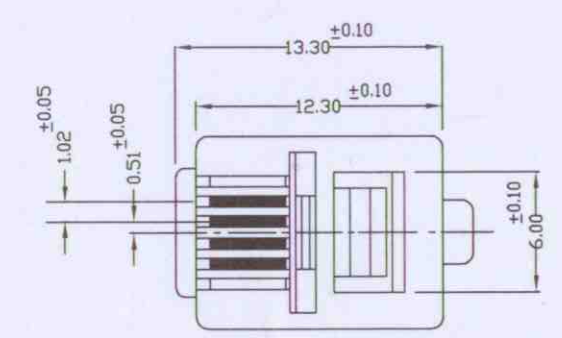


ROHS COMPLIANT



DETAIL A



SPECIFICATIONS:

- MATERIAL
HOUSING: POLYCARBONATE(PC),
CONTACT: PHOSPHOR BRONZE
FINE GOLD PLATED OVER NICKEL,
- MECHANICAL
CABLE TO PLUG TENSILE STRENGTH:
20lbs MINIMUM,
DURABILITY: 200 MATING CYCLES MIN,

- ELECTRICAL
UL APPLICATIONS: 250 VOLTS AC
MAX, AT 2 AMPS,
DIELECTRIC WITHSTANDING VOLTAGE:
500 VOLTS AC,
INSULATION RESISTANCE: 500 MEGOHMS,
TERMINATION RESISTANCE: 36 MILLIOHMS
MAX, AFTER ENVIRONMENTAL TESTING,

APPD.	<i>[Signature]</i> 7/5/07	FILE	PG46X300BXC0.DWG
CHKD.	<i>[Signature]</i> 7/5/07	DWG NO.	PG46X300BXC0
DR.	<i>[Signature]</i> 7/5/07	TITLE	6P4C-F-"BN" Mark

REV.	DESCRIPTION	ENG.	APPROVAL
A1	Change tolerance & Plug insertion hole's dimension.	<i>[Signature]</i>	<i>[Signature]</i>

SCALE	/	SIZE	A4
UNIT	MM	REV.	A1