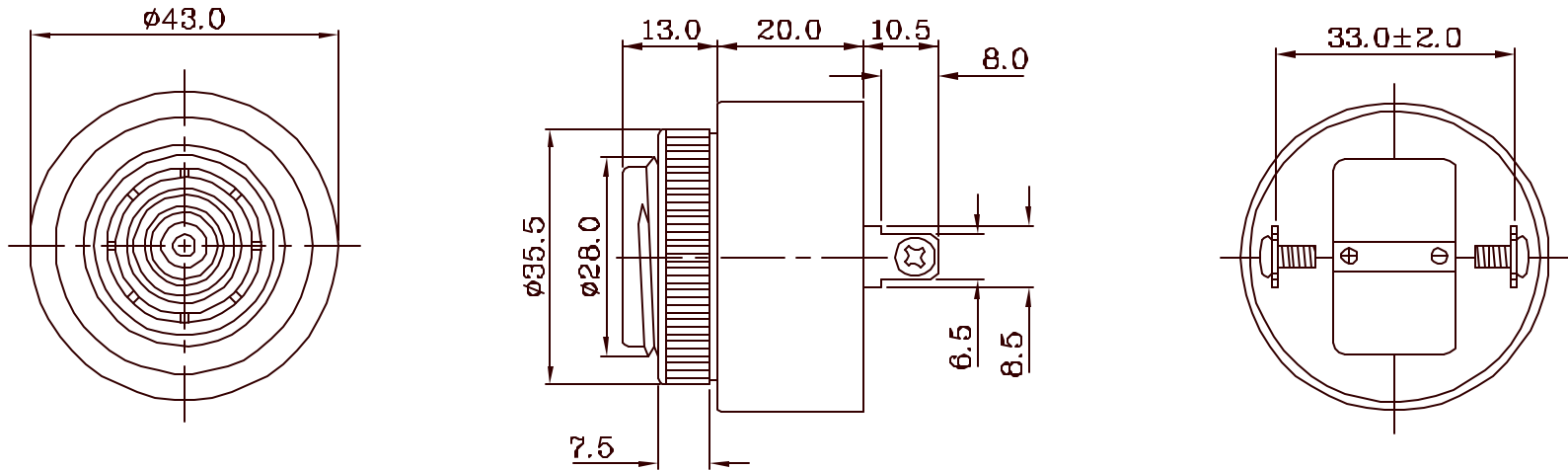


SPECIFICATIONS

PARAMETERS	VALUES	UNITS
Rated Voltage	12	Vdc
Operating Voltage Range	6 ~ 28	Vdc
Rated Current (max.)	6	mA
Typical Sound Pressure Level @ 10 cm	88	dBA
Output Frequency	2900±500	Hz
Pulse Rate	3.2 ± 20%	Hz
Operating Temperature Range	-30 ~ +85	°C
Storage Temperature Range	-40 ~ +95	°C
Housing Material	ABS Black	
Terminal	Nickel Plated Tabs	
Weight	37	g

REVISIONS

LTR	DESCRIPTION	DATE	APPROVED
-	RELEASED FROM ENGINEERING	04/16/02	



NOTES:

1. ALL DIMENSIONS ARE IN MILLIMETERS.
2. SPECIFICATION SUBJECT TO CHANGE OR WITHDRAWAL WITHOUT NOTICE.

UNLESS OTHERWISE SPECIFIED
DIMENSIONS ARE IN MILLIMETERS
TOLERANCES ARE:
FRACTIONS DECIMALS ANGLES
± .XX ± 0.5 ±
.XXX ±



Dayton, Ohio

PIEZO AUDIO INDICATOR
AI-381

APPROVALS	DATE
DRAWN <i>RABL</i>	04/02
CHECKED	
APPROVED <i>S.J.</i>	04/16/02
DO NOT SCALE DRAWING	

SIZE A	MATERIAL	DRAWING NO. AI381.DWG
SCALE N/A	MAX. WT.	SHEET 1 OF 1

DRAWING NAME
AI381