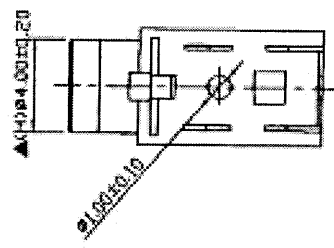
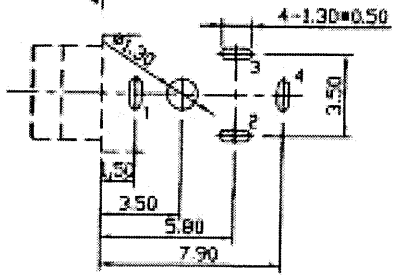
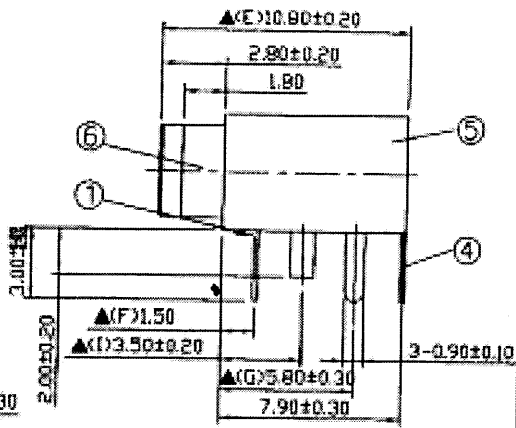
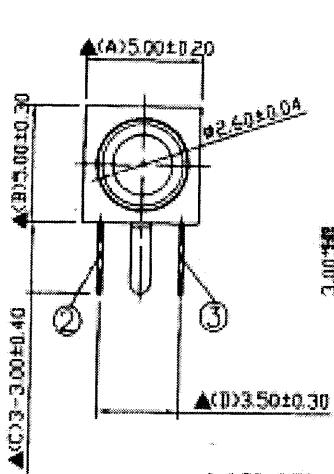


SCHEMATIC	
MODEL NO	J



Pin Hole Layout  
(Jack Bottom View)

SPECIFICATIONS:  
 Contact Resistance : 50mΩ max  
 Insulation Resistance : (100M) min. at DC 500V  
 Dielectric Withstand Voltage: AC 500V for one minute  
 Remark: ▲: The Most Important Dimension

6.	Bushing	Bronze	1	Nickel Plated
5.	Housing	PBT	1	Black Color
4.	Ring Spring	0.2T Phosphor Bronze	1	Silver Plated
3.	Tip Spring	0.2T Phosphor Bronze	1	Silver Plated
2.	Tip Spring	0.2T Phosphor Bronze	1	Silver Plated
1.	Earth Terminal	0.2T Phosphor Bronze	1	Silver Plated
NO.	Description	Material	Q'TY	Finish

# 今入企業股份有限公司

DATE	DWN	CHKD	APVD	
1.30.2005	鄭華香			

PART NAME: 2.5Φ PHONE JACK	PART NUMBER: JR 2317	VERSION: 2.0
TOLERANCE: ±0.3mm UNLESS OTHERWISE SPECIFIED		SCALE: /