

Table 1 Electrical Life, ops. x 10⁶

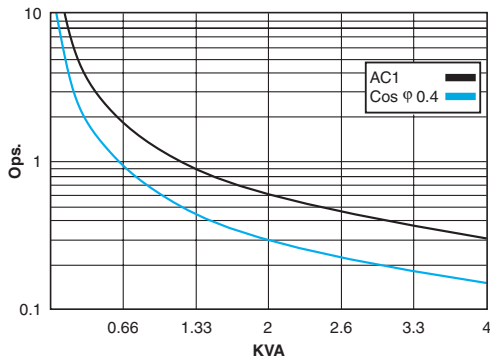
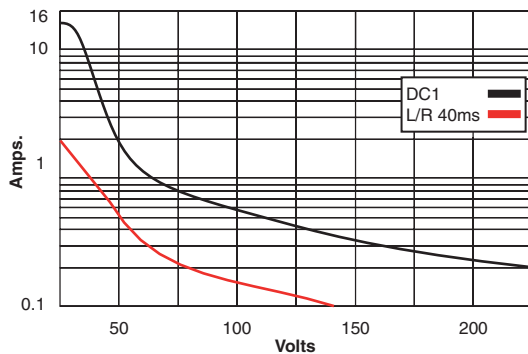
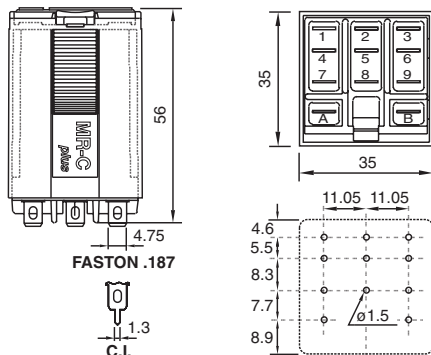


Table 2 Max. DC Load



Dimensions - mm



C5-A20



General purpose
Two change-over contacts

16 A 400 V AC1 **0.5 A 110 V DC1**
16 A 30 V DC1 **0.2 A 220 V DC1**

Contacts

Materials: Standard, code 0 AgNi
Max. switching current 16 A
Max. peak inrush current (20 ms) 40 A
Max. switching voltage 400 V
Max. AC load (Table 1) 4 KVA
Max. DC load See Table 2

Coils (Ohms ±10% @ 20°C)

Pull-in voltage ≤0.8 x Un
Drop-out voltage ≥0.1 x Un
Nominal coil power 2.4 VA (AC) / 1.4 W (DC)

VAC	Ω	mA	VDC	Ω	mA
24	65	100	24	414	58
48	286	50	48	1K6	30
115	1K7	21	110	8K1	13
400	18K8	6	220	34K5	6

Insulation

Dielectric strength (1 minute): Open contacts 1000 V
Between adjacent poles 4 KV
Between contacts and coil 4 KV
Isolation resistance at 500 V ≥3 GΩ
Isolation, IEC 61810-5: 4 KV / 3

Specifications

Operate time + bounce time 20 ms
Release time + bounce time 10 ms
Ambient temperature -40°C (no ice) to +70°C
Mechanical life ops. 10 Mill. AC, 20 Mill. DC relays
Electrical life at nominal load ≥100,000 ops.
Operating frequency at nominal load 1200 / hour
Protection degree IP 40 / RT1
Weight avg. 90 g

Standard Types

AC 50 Hz, (60 Hz): 24, 48, 115, (120), 230, (240), 400
X = LED (standard) **C5-A20X VAC**
RC suppressor **C5-A20R VAC**

DC 24, 48, 110, 220
X = LED, no polarity (standard) **C5-A20XVDC**
Free-wheeling diode **C3-A20DXVDC**
Polarity and free-wheeling diodes **C5-A20FXVDC**
AC/DC bridge rectifier (24 or 48 V) **C5-A20BXVDC**



IEC 61810 EN 60947