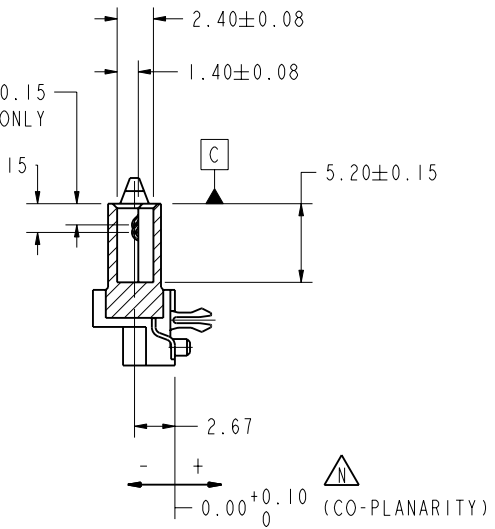
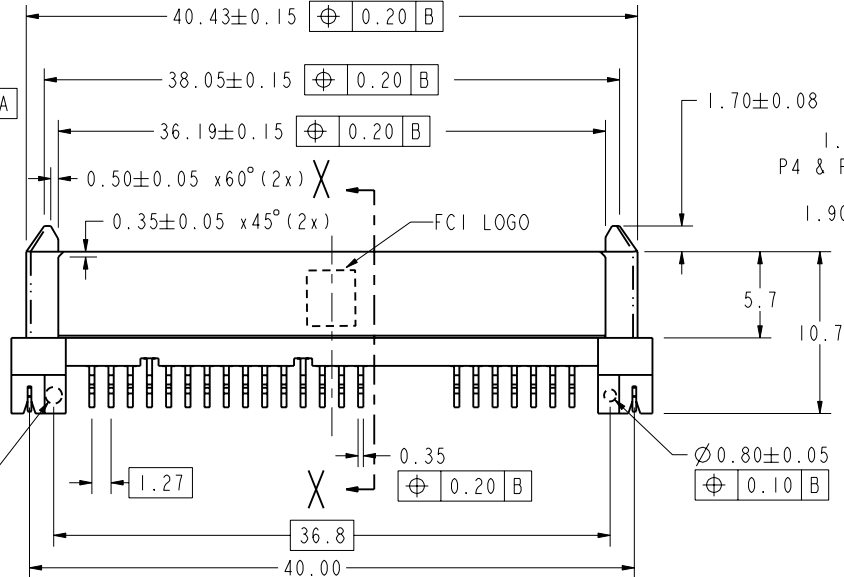
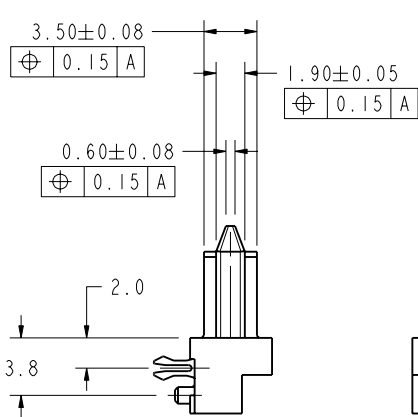
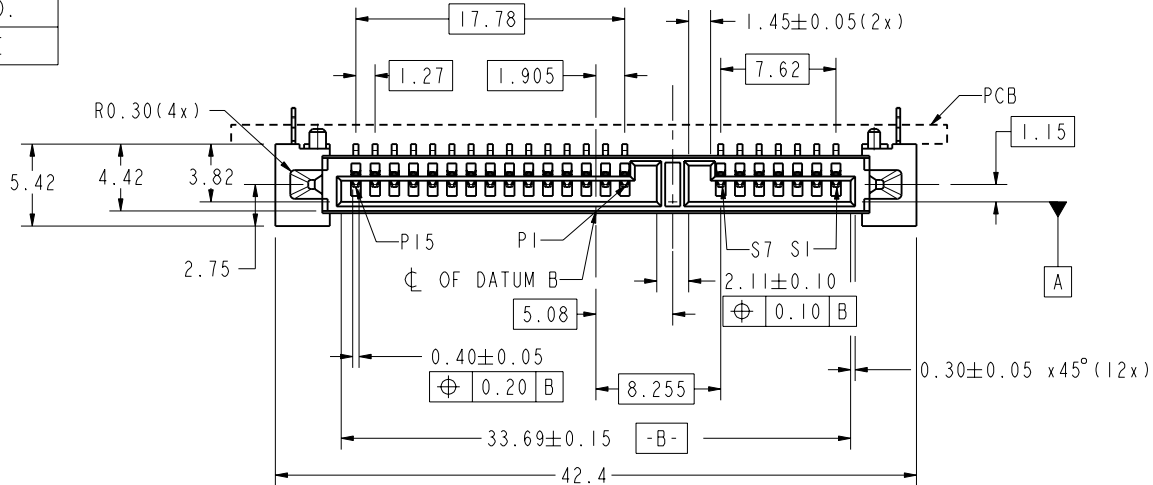


PRODUCT NO.  
SEE TABLE



SECTION X - X



Copyright FCI.

www.fci.com			surface <input checked="" type="checkbox"/>	tolerance std ASME Y14.5	projection 	MM 
			TOLERANCES UNLESS OTHERWISE SPECIFIED		size A4	Scale 2:1
Dr	JPEH	2003-12-19	ANGULAR	0.X ±----	ECN S10-0139	
Eng	KP TAY	2010-07-02	LINEAR	0.XX ±0.20	Spec ref	
Chr	KP TAY	2010-07-02	2° ±°	0.XXX ±----		
Appr	JOEY NG	2010-07-02	Product family			
S-ATA COMB RECEPTCLE R/A SMT TYPE ASSY			dwg no 10029364		Rev. N	
catalog no			CUSTOMER		sheet 1 of 3	

rev	ecn no	dr	date
H	S08-0168	BLLIM	2008-05-30
J	S08-0271	BLLIM	2008-08-19
K	S09-0173	BLLIM	2009-05-26
L	S09-0210	BLLIM	2009-06-25
M	S09-0293	BLLIM	2009-09-15
N	S10-0139	KPTAY	2010-07-02
G	S08-0086	BLLIM	2008-03-25

REV E - 2009-03-28

PRODUCT NO.	RECOMMENDED P.C.B. THICKNESS	HOLD DOWN	DIM 'A'	HOUSING WITH STAND-OFF RIBS	PACKAGING
10029364-001LF	1.60	METAL CLIP	2.40	NO	TRAY
10029364-001TRLF					TAPE & REEL
10029364-002LF	1.00		1.80	NO	TRAY
10029364-002TRLF					TAPE & REEL
10029364-011LF	-	BLADE	2.60	NO	TRAY
10029364-011TRLF					TAPE & REEL
10029364-111LF	-		2.60	YES	TRAY
10029364-111TRLF					TAPE & REEL

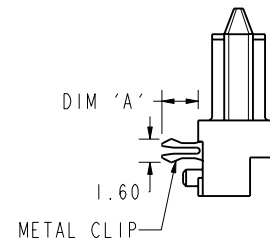
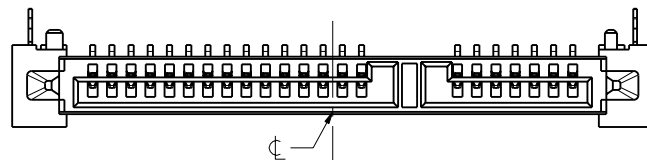
A

B

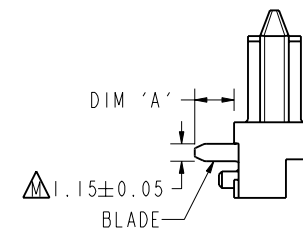
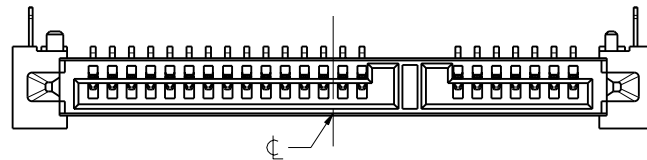
C

D

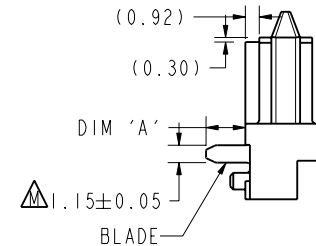
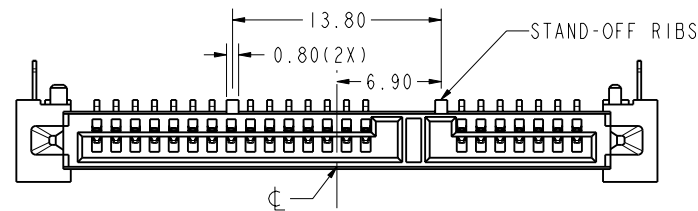
10029364-00XLF/TRLF



10029364-01XLF/TRLF



10029364-11XLF/TRLF



Copyright FCI.

	TITLE <b>S-ATA COMB RECEPTCLE</b> R/A SMT TYPE ASSY	dwg no <b>10029364</b>	Rev. <b>N</b>
	catalog no	CUSTOMER	sheet 2 of 3

REV E - 2006-03-28

PDM: Rev:N

STATUS: Released

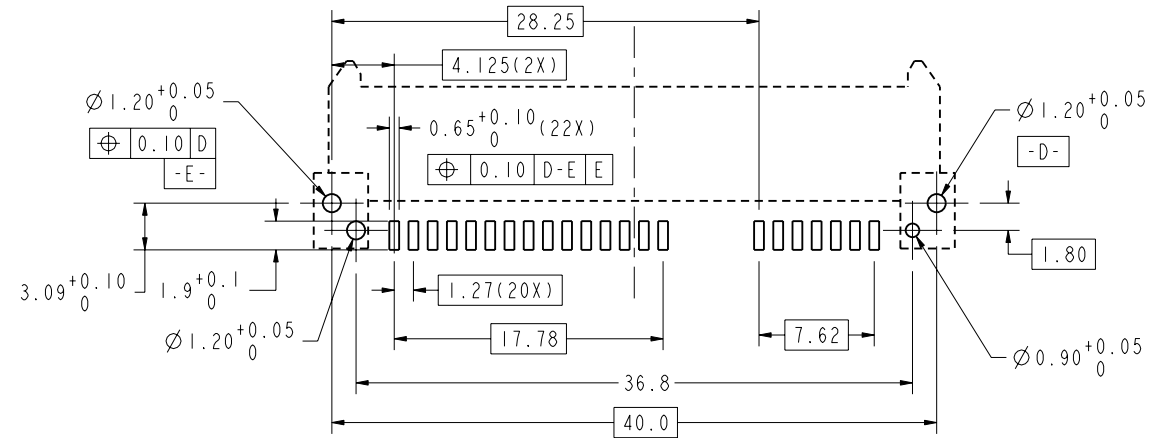
4 Printed: Jul 09, 2010

A

B

A

B



RECOMMENDED P.C.B. LAYOUT  
TOLERANCE UNLESS OTHERWISE ±0.10

C

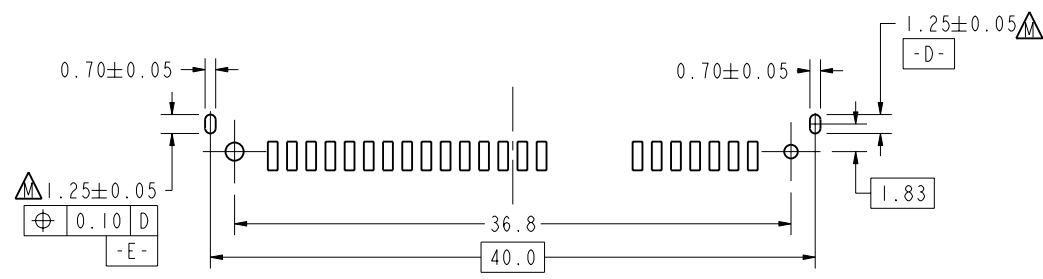
D

C

D

NOTES:-

1. MATERIAL:
  - 1) HOUSING : HIGH TEMP. THERMOPLASTIC, UL 94V-0  
COLOR : BLACK
  - 2) TERMINAL : COPPER ALLOY
  - 3) HOLD DOWN : COPPER ALLOY
2. FINISH:
  - 1) TERMINAL : 30u" GOLD PLATING (CONTACT POINT)  
OVER 50u" MIN NICKEL
  - 2) SOLDER TAIL : 100u" MIN TIN OVER 50u" NICKEL
  - 3) HOLD DOWN : 100u" MIN TIN OVER 50u" NICKEL
3. TRUE POSITION APPLY AT TERMINAL TIP
4. THE STANDARD PACKAGING IS IN TRAY.
5. THE HOUSING WILL WITHSTAND EXPOSURE TO 260°C PEAK TEMPERATURE FOR 10 SECONDS IN A CONVECTION, INFRA-RED OR VAPOR PHASE REFLOW OVEN
6. THIS PRODUCT MEETS EUROPEAN UNION DIRECTIVES AND OTHER COUNTRY REGULATIONS AS DESCRIBED IN GS-22-008
7. PART NUMBERS ENDING IN "LF" ARE MEANT FOR LEAD-FREE IDENTIFICATION. P/N XXXXXXXX-XXXLF IS EQUIVALENT TO PREVIOUS P/N XXXXXXXX-XXX
8. A SYMBOL WILL BE NEXT TO ANY DIMENSION, VIEW, OR NOTE WHICH HAS BEEN MODIFIED WITH THE CURRENT DRAWING REVISION.



ALTERNATIVE P.C.B. LAYOUT  
REFER TO RECOMMENDED PCB LAYOUT FOR UNSPECIFIED DIMENSIONS  
TOLERANCE UNLESS OTHERWISE ±0.10



Copyright FCI.

	title <b>S-ATA COMB RECEPTCLE</b> R/A SMT TYPE ASSY	dwg no <b>10029364</b>	Rev. <b>N</b>
	catalog no	CUSTOMER	sheet 3 of 3