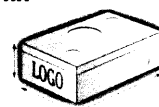


## METTEC 19" RACK CASES

**Stylish, ergonomic and robust, good EMC shielding, and unique 'comfort handles' for easier loading into a rack.**

This versatile design incorporates aluminium die-castings and extrusions. Two finishes are offered: all painted (Version B) and Alocrom 1200 (Version A). Each case is supplied ready assembled including: PCB and chassis guides, 3mm rack mounting flanges, earth contact point, and 'comfort-handles'.

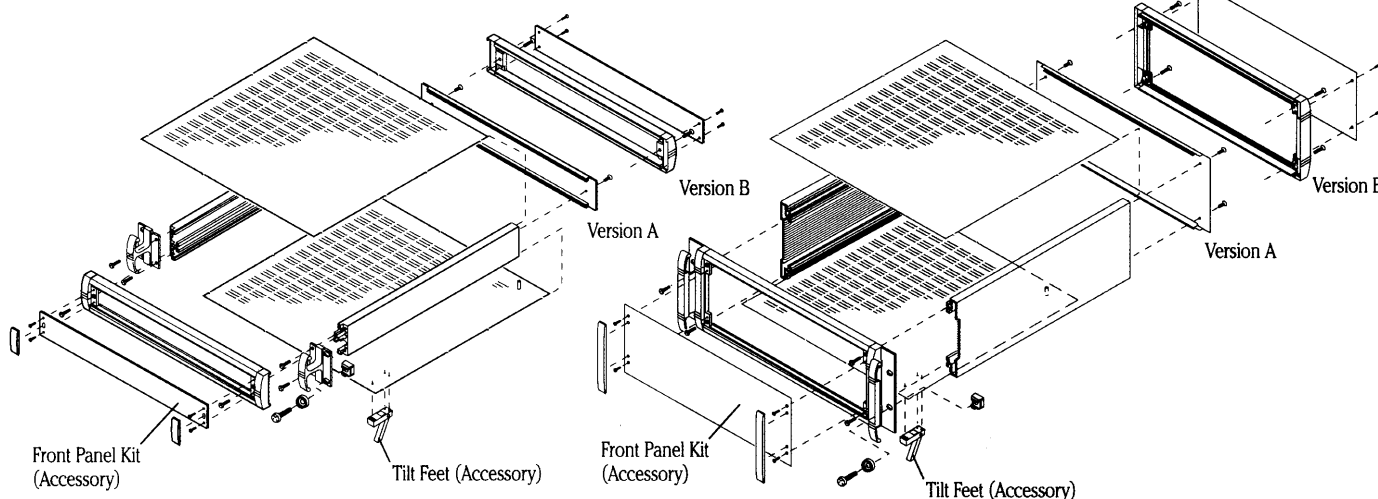
Mettec cases can also be supplied fully finished with machined cut-outs, silk screen printing, custom depths etc., to suit your requirements.



- 1U, 2U and 3U in four depths
- The front panel can be removed in-situ; no need to remove the case from the rack

1U CASE ASSEMBLY

2U & 3U CASE ASSEMBLY



METTEC RACK CASES VERSION A								METTEC RACK CASES VERSION B							
Type	Outside dim. in mm			Usable front panel area		Part No.		Type	Outside dim. in mm			Usable front panel area		Part No.	
	H	W	D	H <sub>1</sub>	W <sub>1</sub>	No ventilation	Ventilated		H	W	D	H <sub>1</sub>	W <sub>1</sub>	anthracite	off-white
1U	44	482.6	167.5	33.6	372.5	M 59 10 015	-	1U	44	482.6	280	33.6	372.5	M 59 10 024	M 59 10 027
1U	44	482.6	267.5	33.6	372.5	M 59 10 025	M 59 10 205	1U	44	482.6	380	33.6	372.5	M 59 10 034	M 59 10 037
1U	44	482.6	367.5	33.6	372.5	M 59 10 035	M 59 10 305	2U	88	482.6	280	66.5	372.5	M 59 20 024	M 59 20 027
2U	88	482.6	167.5	66.5	372.5	M 59 20 015	-	2U	88	482.6	380	66.5	372.5	M 59 20 034	M 59 20 037
2U	88	482.6	267.5	66.5	372.5	M 59 20 025	M 59 20 205	3U	132.6	482.6	280	111	372.5	M 59 30 024	M 59 30 027
2U	88	482.6	367.5	66.5	372.5	M 59 20 035	M 59 20 305	3U	132.6	482.6	380	111	372.5	M 59 30 034	M 59 30 037
2U	88	482.6	467.5	66.5	372.5	M 59 20 045	M 59 20 405	ACCESSORIES							
3U	132.6	482.6	167.5	111	372.5	M 59 30 015	-	Article							
3U	132.6	482.6	267.5	111	372.5	M 59 30 025	M 59 30 305	1U front panel kit	M 59 00 010						
3U	132.6	482.6	367.5	111	372.5	M 59 30 035	M 59 30 305	2U front panel kit	M 59 00 020						
3U	132.6	482.6	467.5	111	372.5	M 59 30 045	M 59 30 405	3U front panel kit	M 59 00 030						
Ordering: <b>Version A</b> supplied assembled including: front bezel, 2 side extrusions, rear extrusion, top, base, 4 rubber feet and fixings. The front bezel is painted grey RAL 7035 - all other parts finished in Alocrom 1200. <b>Version B</b> supplied assembled including: front bezel, 2 side extrusions, rear bezel, flat rear panel, top, base, 4 rubber feet and fixings. The complete case is painted.								Chassis tray for 167mm deep cases							
Order front panels separately.								Chassis tray for 267 & 280mm deep cases							
								Chassis tray for 367 & 380mm deep cases							
								Chassis tray for 467mm deep cases							
								M 59 00 201							
								M 59 00 202							
								M 59 00 203							
								M 59 00 204							

A free full colour catalogue is available on request, please fill in your details on the reverse.