

Brand New! Unique Product Development!

Medium-Power Thru Panel Terminal Block

Pitch: 13mm

600 Volts / 30 Amps

PART#:

OTB-330N

Type:

Medium-Power Thru Panel

Features:

SEMS Screws

Plastic Finger-Safe Cover Included

Applications:

Suitable for:

Power Supplies

Industrial Controls

Motor Drives &

Variable-Speed Controls

All thru-panel, medium-power current applications

Electrical

Rated Voltage:

600V

Rated Current:

30A

Wire Size:

12-22 AWG CU

Operating Temperature:

-40C to +90C

Materials

Housing:

Polycarbonate (UL94V-0)

Standard Color: Black

Cover:

Polycarbonate (UL94V-0), Clear

Terminal:

Brass, Nickel Plated

Positions Available:

2-15

Screw Size:

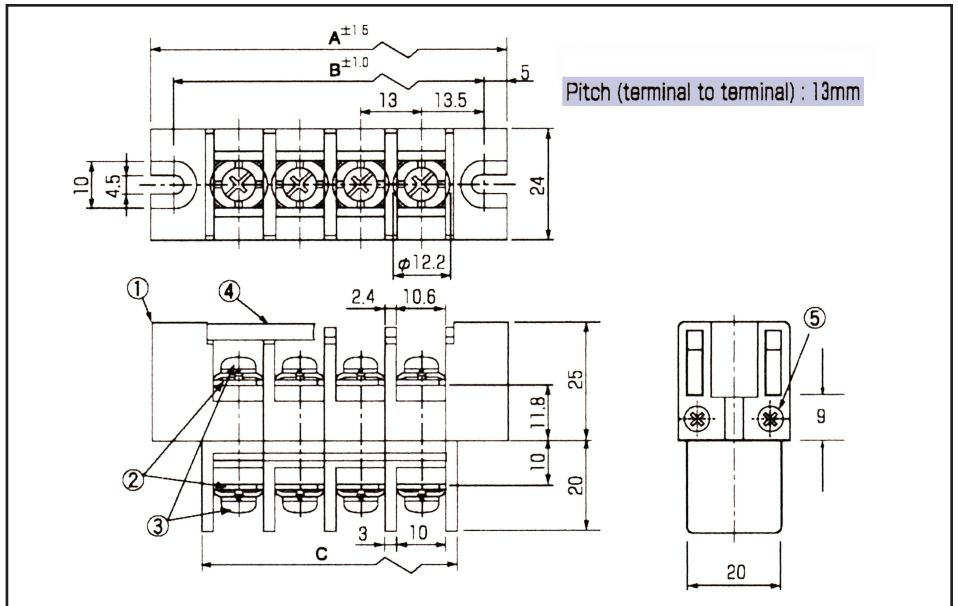
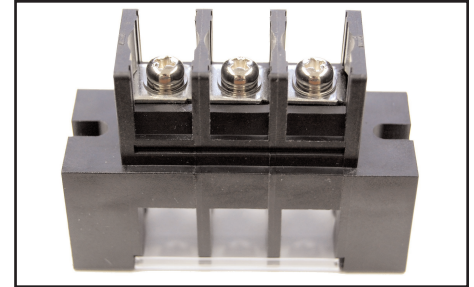
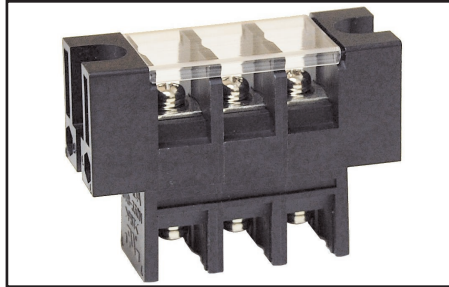
M4, Steel, Nickel plated

Withstanding Voltage:

AC2500V

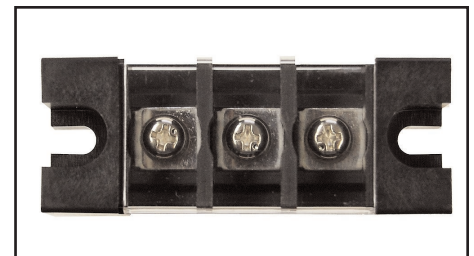
Torque:

12.4 inch lbs.



BlockMaster Electronics' new OTB-330N Series are medium power, thru-panel terminal blocks available in 2-15 positions.

BlockMaster's OTB-330N series are perfect for interfacing internally wired products to the outside world. They offer a clear, protective cover to reduce shock hazard, and each terminal has a screw with lockwasher for convenient field wiring as shown. Suitable for industrial controls, spa controls or any medium power field wiring to control box application.



HOW TO ORDER:

OTB-330N



**Poles
2-15**



1/30/08

World Class Terminal Blocks

1400 Howard Street Phone: (847) 956-1680
Elk Grove Village, IL 60007 Fax: (847) 956-1690

www.BlockMaster.com