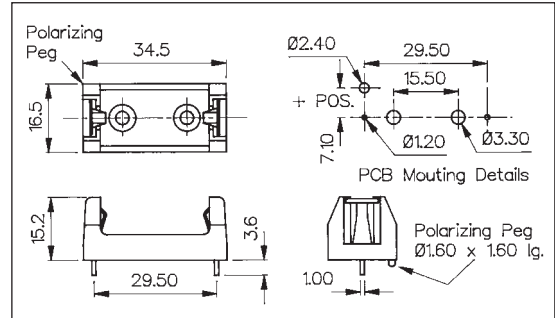


PC/Base Mounting

1/2AA SIZE BATTERY HOLDER


BX0031

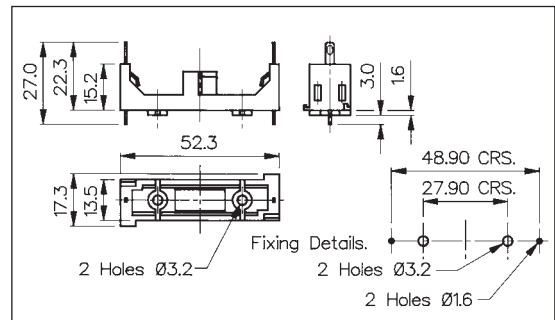
- 1 Cell
- PC/Base Mount
- Open style



AAA SIZE BATTERY HOLDER


BX0034

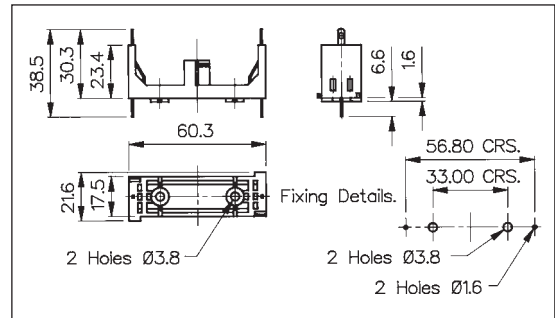
- 1 Cell
- PC/Base Mount
- Open style



AA SIZE BATTERY HOLDER


BX0035

- 1 Cell
- PC/Base Mount
- Open style



Specification	BX0031	BX0034	BX0035
Battery/Cell Type:	1/2AA	AAA (R03)	AA (R6)
No. Cells:	1 cell	1 cell	1 cell
Terminations:	P.C. spills	Dual connections, P.C. spills & 2.8 series tabs/solder tags. (P.C. spills may be removed if required)	Dual connections, P.C. spills & 2.8 series tabs/solder tags. (P.C. spills may be removed if required)
Operating Temperature:	-30°C to +70°C	-30°C to +70°C	-30°C to +70°C
Mouldings:	Glass Filled Nylon	Glass Filled Nylon	Glass Filled Nylon
Contacts:	Nickel Silver, clean	Nickel Silver, clean	Nickel Silver, clean
Features:	-	Interlocking for multiple assemblies	Interlocking for multiple assemblies