

Infrared Transceiver 9.6 kbit/s to 115.2 kbit/s (SIR)

Description

The TFBS4652 is one of the smallest IrDA® compliant transceivers available. It supports data rates up to 115 kbit/s. The transceiver consists of a PIN photodiode, infrared emitter, and control IC in a single package.



Features

- Compliant with the IrDA physical layer IrPHY 1.4 (low power specification, 9.6 kbit/s to 115.2 kbit/s)
- Link distance: 30 cm/20 cm full 15° cone with standard or low power IrDA, respectively. Emission intensity can be set by an external resistor to increase the range to > 50 cm
- Typical transmission distance to standard device: 50 cm
- Small package - L 6.8 mm x W 2.8 mm x H 1.6 mm
- Low current consumption 75 µA idle at 3.6 V
- Operates from 2.4 V to 3.6 V within specification over full temperature range from - 25 °C to + 85 °C



- Split power supply, emitter can be driven by a separate power supply not loading the regulated. U.S. pat. no. 6,157,476
- Adjustable to logic I/O voltage swing from 1.5 V to 5.5 V
- Lead (Pb)-free device
- Qualified for lead (Pb)-free and Sn/Pb processing (MSL4)
- Device in accordance with RoHS 2002/95/EC and WEEE 2002/96/EC

Applications

- Mobile phone
- PDAs

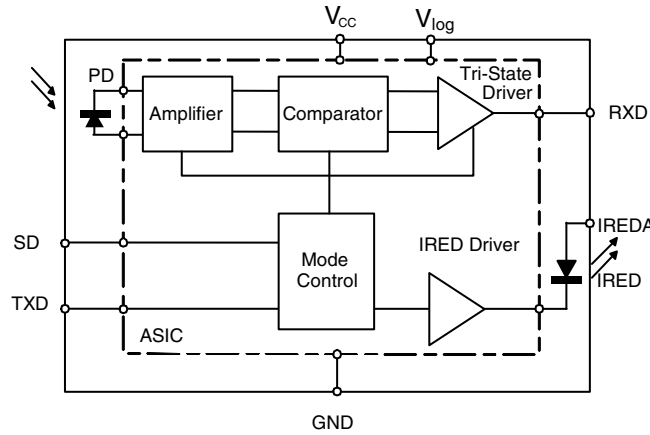
Parts Table

| Part | Description | Qty/reel |
|--------------|---|----------|
| TFBS4652-TR1 | Oriented in carrier tape for side view surface mounting | 1000 pcs |
| TFBS4652-TR3 | Oriented in carrier tape for side view surface mounting | 2500 pcs |

Product Summary

| Parameter | Symbol | Value | Unit |
|---------------------|-----------------|-----------------|--------------|
| Maximum data rate | | 115.2 | kbit/s |
| Dimensions | H x L x W | 1.6 x 6.8 x 2.8 | mm x mm x mm |
| Link distance | | 0 to ≥ 0.3 | m |
| Operating voltage | V _{CC} | 2.4 to 3.6 | V |
| Idle supply current | I _{CC} | 0.075 | mA |

Functional Block Diagram



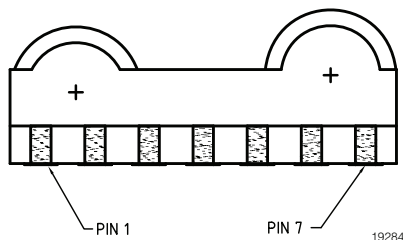
19288

Pin Description

| Pin number | Function | Description | I/O | Active |
|------------|-------------|--|-----|--------|
| 1 | IREDA | IREDA Anode, connected via a current limiting resistor to V_{cc2} . A separate unregulated power supply can be used. | | |
| 2 | RXD | Receiver Output. Normally high, goes low for a defined pulse duration with the rising edge of the optical input signal. Output is a CMOS tri-state driver, which swings between ground and V_{logic} . Receiver echoes transmitter output. | O | Low |
| 3 | TXD | Transmitter Data Input. Setting this input above the threshold turns on the transmitter. This input switches the IRED with the maximum transmit pulse width of about 50 μ s. | I | High |
| 4 | SD | Shut Down. Logic Low at this input enables the receiver, enables the transmitter, and un-tri-states the receiver output. It must be driven high for shutting down the transceiver. | I | High |
| 5 | V_{logic} | Reference for the logic swing of the output and the input logic levels. | I | |
| 6 | V_{cc} | Power Supply, 2.4 V to 3.6 V. This pin provides power for the receiver and transmitter drive section. Connect V_{cc1} via an optional filter. | | |
| 7 | GND | Ground | | |

Pinout

TFBS4652, bottom view
weight 0.05 g



Definitions:

In the Vishay transceiver data sheets the following nomenclature is used for defining the IrDA operating modes:

SIR: 2.4 kbit/s to 115.2 kbit/s, equivalent to the basic serial infrared standard with the physical layer version IrPhY 1.0

MIR: 576 kbit/s to 1152 kbit/s

FIR: 4 Mbit/s

VFIR: 16 Mbit/s

MIR and FIR were implemented with IrPhY 1.1, followed by IrPhY 1.2, adding the SIR low power standard. IrPhY 1.3 extended the Low Power Option to MIR and FIR and VFIR was added with IrPhY 1.4. A new version of the standard in any case obsoletes the former version.



Absolute Maximum Ratings

Reference point Pin, GND unless otherwise noted.

Typical values are for DESIGN AID ONLY, not guaranteed nor subject to production testing.

| Parameter | Test conditions | Symbol | Min. | Typ. | Max. | Unit |
|---------------------------------------|---|-----------------|-------|------|-------------------|------|
| Supply voltage range, transceiver | $0\text{ V} < V_{CC2} < 6\text{ V}$ | V_{CC1} | - 0.5 | | 6.0 | V |
| Supply voltage range, transmitter | $0\text{ V} < V_{CC1} < 3.6\text{ V}$ | V_{CC2} | - 0.5 | | 6.0 | V |
| Supply voltage range, digital supply | $0\text{ V} < V_{CC1} < 3.6\text{ V}$ | V_{logic} | - 0.5 | | 6.0 | V |
| Voltage at RXD | All states | V_{in} | - 0.5 | | $V_{logic} + 0.5$ | V |
| Input voltage range, transmitter TXD | Independent of V_{dd} or V_{logic} | V_{in} | - 0.5 | | 6.0 | V |
| Input currents | For all pins, except IRED anode pin | | - 40 | | 40 | mA |
| Output sinking current | | | | | 20 | mA |
| Power dissipation | | P_D | | | 250 | mW |
| Junction temperature | | T_J | | | 125 | °C |
| Ambient temperature range (operating) | | T_{amb} | - 25 | | + 85 | °C |
| Storage temperature | | T_{stg} | - 40 | | + 100 | °C |
| Soldering temperature ⁽¹⁾ | see section Recommended Solder Profile | | | | | °C |
| Repetitive pulse output current | $< 90\text{ }\mu\text{s}$, $t_{on} < 20\%$ | $I_{IRED (RP)}$ | | | 500 | mA |
| Average output current (transmitter) | | $I_{IRED (DC)}$ | | | 100 | mA |

Notes:

⁽¹⁾ Sn/lead (Pb)-free soldering. The product passed VISHAY's standard convection reflow profile soldering test.

Eye Safety Information

Vishay transceivers operating inside the absolute maximum ratings are classified as eye safe according the following table.

| Standard | Classification |
|---|----------------|
| IEC/EN 60825-1 (2007-03), DIN EN 60825-1 (2008-05) "SAFETY OF LASER PRODUCTS - Part 1: equipment classification and requirements", simplified method | Class 1 |
| IEC 62471 (2006), CIE S009 (2002) "Photobiological Safety of Lamps and Lamp Systems" | Exempt |
| DIRECTIVE 2006/25/EC OF THE EUROPEAN PARLIAMENT AND OF THE COUNCIL of 5 th April 2006 on the minimum health and safety requirements regarding the exposure of workers to risks arising from physical agents (artificial optical radiation) (19 th individual Directive within the meaning of Article 16(1) of Directive 89/391/EEC) | Exempt |

Electrical Characteristics

Transceiver

$T_{amb} = 25\text{ }^{\circ}\text{C}$, $V_{CC} = 2.4\text{ V}$ to 3.6 V unless otherwise noted.

Typical values are for DESIGN AID ONLY, not guaranteed nor subject to production testing.

| Parameter | Test conditions | Symbol | Min. | Typ. | Max. | Unit |
|---|--|-------------|-------------------|------------------------|-------------------------|--------------------|
| Supply voltage range | | V_{CC} | 2.4 | | 3.6 | V |
| Dynamic Supply current | | | | | | |
| Idle, dark ambient | SD = Low (< 0.8 V), $E_{eamb} = 0\text{ klx}$, $E_e < 4\text{ mW/m}^2$ $-25\text{ }^{\circ}\text{C} \leq T \leq +85\text{ }^{\circ}\text{C}$ | I_{CC} | | 90 | 130 | μA |
| Idle, dark ambient | SD = Low (< 0.8 V), $E_{eamb} = 0\text{ klx}$, $E_e < 4\text{ mW/m}^2$ $T = +25\text{ }^{\circ}\text{C}$ | I_{CC} | | 75 | | μA |
| Peak supply current during transmission | SD = low, TXD = high | I_{ccpk} | | 2 | 3 | mA |
| Idle, dark ambient at V_{logic} - pin | SD = low (< 0.8 V), $E_{eamb} = 0\text{ klx}$, $E_e < 4\text{ mW/m}^2$ | I_{logic} | | | 1 | μA |
| Shutdown supply current Dark ambient | SD = high ($> V_{logic} - 0.5\text{ V}$), $T = 25\text{ }^{\circ}\text{C}$, $E_e = 0\text{ klx}$ | I_{SD} | | | 0.1 | μA |
| Shutdown supply current, dark ambient | SD = high ($> V_{logic} - 0.5\text{ V}$), $T = 70\text{ }^{\circ}\text{C}$, $E_e = 0\text{ klx}$ | I_{SD} | | | 2.0 | μA |
| Shutdown supply current, dark ambient | SD = high ($> V_{logic} - 0.5\text{ V}$), $T = 85\text{ }^{\circ}\text{C}$, $E_e = 0\text{ klx}$ | I_{SD} | | | 3.0 | μA |
| Operating temperature range | | T_A | - 25 | | + 85 | $^{\circ}\text{C}$ |
| Output voltage low | $I_{OL} = 0.2\text{ mA}$, $V_{CC} = 2.4\text{ V}$ $C_{load} = 15\text{ pF}$ | V_{OL} | | 0.3 | | V |
| Output voltage high | $I_{OL} = 0.2\text{ mA}$, $V_{CC} = 2.4\text{ V}$ $C_{load} = 15\text{ pF}$ | V_{OH} | $V_{logic} - 0.5$ | | V_{logic} | V |
| RXD to V_{CC} pull-up impedance | SD = V_{CC} , $V_{CC} = 2.4\text{ V}$ to 5 V | R_{RXD} | | 500 | | $k\Omega$ |
| Input voltage low (TXD, SD) | | V_{IL} | - 0.5 | | 0.5 | V |
| Input voltage high (TXD, SD) | $V_{CC} = 2.4\text{ V}$ to 3.6 V | V_{IH} | $V_{logic} - 0.5$ | | $V_{logic} + 0.5$ | V |
| Input voltage threshold SD | $V_{CC} = 2.4\text{ V}$ to 3.6 V | | 0.9 | $0.5 \times V_{logic}$ | $0.66 \times V_{logic}$ | V |
| Input capacitance (TXD, SD) | | C_I | | | 6 | pF |



Optoelectronic Characteristics

Receiver

$T_{amb} = 25\text{ }^{\circ}\text{C}$, $V_{CC} = 2.4\text{ V}$ to 3.6 V unless otherwise noted.

Typical values are for DESIGN AID ONLY, not guaranteed nor subject to production testing.

| Parameter | Test conditions | Symbol | Min. | Typ. | Max. | Unit |
|--|---|-------------------|------------|-------------|-------------|---|
| Sensitivity: Minimum irradiance E_e in angular range ⁽¹⁾⁽²⁾ | 9.6 kbit/s to 115.2 kbit/s $\lambda = 850\text{ nm}$ to 900 nm | E_e | | 40 (4.0) | 81 (8.1) | mW/m^2 ($\mu\text{W}/\text{cm}^2$) |
| Maximum irradiance E_e in angular range ⁽³⁾ | $\lambda = 850\text{ nm}$ to 900 nm | E_e | 5 (500) | | | kW/m^2 (mW/cm^2) |
| No output receiver input irradiance | According to IrDA IrPHY 1.4, Appendix A1, fluorescent light specification | E_e | 4 (0.4) | | | mW/m^2 ($\mu\text{W}/\text{cm}^2$) |
| Rise time of output signal | 10 % to 90 %, $C_L = 15\text{ pF}$ | $t_r(\text{RXD})$ | 20 | | 100 | ns |
| Fall time of output signal | 90 % to 10 %, $C_L = 15\text{ pF}$ | $t_f(\text{RXD})$ | 20 | | 100 | ns |
| RXD pulse width of output signal, 50 % ⁽⁴⁾ | Input pulse width 1.63 μs | t_{PW} | 1.7 | | 2.9 | μs |
| Receiver start up time | Power on delay | | | 100 | 150 | μs |
| Latency | | t_L | 30 | 50 | 100 | μs |

Note:

- (1) This parameter reflects the backlight test of the IrDA physical layer specification to guarantee immunity against light from fluorescent lamps.
- (2) IrDA sensitivity definition: **minimum irradiance E_e in angular range**, power per unit area. The receiver must meet the BER specification while the source is operating at the minimum intensity in angular range into the minimum half-angle range at the maximum link length.
- (3) **Maximum irradiance E_e in angular range**, power per unit area. The optical delivered to the detector by a source operating at the maximum intensity in angular range at **minimum link length** must not cause receiver overdrive distortion and possible related link errors. If placed at the active output Interface reference plane of the transmitter, the receiver must meet its bit error ratio (BER) specification.
- (4) RXD output is edge triggered by the rising edge of the optical input signal. The output pulse duration is independent of the input pulse duration.

For more definitions see the document "Symbols and Terminology" on the Vishay website.

Transmitter

T_{amb} = 25 °C, V_{CC} = 2.4 V to 3.6 V unless otherwise noted.

Typical values are for DESIGN AID ONLY, not guaranteed nor subject to production testing.

| Parameter | Test conditions | Symbol | Min. | Typ. | Max. | Unit |
|--|---|--|------|---------|------|----------|
| IRED operating current, current controlled | The IRED current is internally controlled but also can be reduced by an external resistor R1 | I _D | 200 | | 400 | mA |
| Output leakage IRED current | T _{amb} = 85°C | I _{IRED} | | | 1 | µA |
| Output radiant intensity ⁽¹⁾ | α = 0°, 15°, TXD = high, SD = low, V _{CC1} = 3.0 V, V _{CC2} = 3.0 V, R1 = 30 Ω (resulting in about 50 mA drive current) | I _e | 4 | | 150 | mW/sr |
| Output radiant intensity ⁽¹⁾ | α = 0°, 15°, TXD = high, SD = low, V _{CC1} = 3.0 V, V _{CC2} = 3.0 V, R1 = 0 Ω, I _F = 300 mA | I _e | | 25 | | mW/sr |
| Output radiant intensity ⁽¹⁾ | V _{CC1} = 5.0 V, α = 0°, 15° TXD = low or SD = high (Receiver is inactive as long as SD = high) | I _e | | | 0.04 | mW/sr |
| Saturation voltage of IRED driver | V _{CC} = 3.0 V, I _F = 50 mA | V _{CEsat} | | 0.4 | | V |
| Peak - emission wavelength | | λ _p | 880 | 886 | 900 | nm |
| Optical rise time, Optical fall time | | t _{ropt} t _{fopt} | 20 | | 100 | ns |
| Optical output pulse duration | Input pulse width t < 30 µs Input pulse width t ≥ 30 µs | t _{opt} t _{opt} | 30 | t 50 | 300 | µs µs |
| Optical output pulse duration | Input pulse width t = 1.63 µs | t _{opt} | 1.45 | 1.61 | 2.2 | µs |
| Optical overshoot | | | | | 20 | % |

Note:.

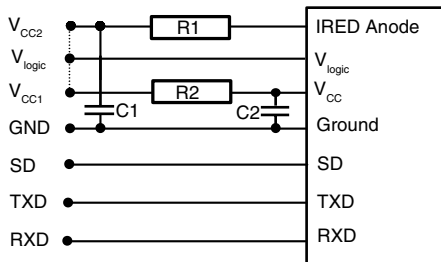
⁽¹⁾ The radiant intensity can be adjusted by the external current limiting resistor to adapt the intensity to the desired value. The given value is for minimum current consumption. This transceiver can be adapted to > 50 cm operation by increasing the current to > 200 mA, e.g. operating the transceiver without current control resistor (i.e. R1 = 0 Ω) and using the internal current control.

**Table 1.
Truth table**

| Inputs | | | Outputs | |
|--------|---------------|--|--|----------------|
| SD | TXD | Optical input Irradiance mW/m ² | RXD | Transmitter |
| High | x | x | Tri-state floating with a weak pull-up to the supply voltage | 0 |
| Low | High | x | Low (echo on) | I _e |
| Low | High > 100 µs | x | High | 0 |
| Low | Low | < 2 | High | 0 |
| Low | Low | > min. irradiance E _e < max. irradiance E _e | Low (active) | 0 |
| Low | Low | > max. irradiance E _e | x | 0 |

Recommended Circuit Diagram

Operated at a clean low impedance power supply the TFBS4652 needs only one additional external component when the IRED drive current should be minimized for minimum current consumption according the low power IrDA standard. When combined operation in IrDA and Remote Control is intended no current limiting resistor is recommended. When long wires are used for bench tests, the capacitors are mandatory for testing rise/fall time correctly.



19289

Figure 1. Recommended Application Circuit

The capacitor C1 is buffering the supply voltage V_{CC2} and eliminates the inductance of the power supply line. This one should be a small ceramic version or other fast capacitor to guarantee the fast rise time of the IRED current. The resistor R1 is necessary for controlling the IRED drive current when the internally controlled current is too high for the application.

Vishay transceivers integrate a sensitive receiver and a built-in power driver. The combination of both needs a careful circuit board layout. The use of thin, long, resistive and inductive wiring should be avoided. The inputs (TXD, SD) and the output RXD should be directly (DC) coupled to the I/O circuit.

The capacitor C2 combined with the resistor R2 is the low pass filter for smoothing the supply voltage.

As already stated above R2, C1 and C2 are optional and depend on the quality of the supply voltages V_{CCx} and injected noise. An unstable power supply with dropping voltage during transmission may reduce the sensitivity (and transmission range) of the transceiver.

The placement of these parts is critical. It is strongly recommended to position C2 as close as possible to the transceiver power supply pins.

When connecting the described circuit to the power supply, low impedance wiring should be used.

In case of extended wiring the inductance of the power supply can cause dynamically a voltage drop at V_{CC2} . Often some power supplies are not apply to follow the fast current is rise time. In that case another 10 μ F cap at V_{CC2} will be helpful.

Keep in mind that basic RF-design rules for circuit design should be taken into account. Especially longer signal lines should not be used without termination. See e.g. "The Art of Electronics" Paul Horowitz, Wienfield Hill, 1989, Cambridge University Press, ISBN: 0521370957.

Table 2.

Recommended Application Circuit Components

| Component | Recommended value |
|-----------|---|
| C1, C2 | 0.1 μ F, ceramic, Vishay part# VJ 1206 Y 104 J XXMT |
| R1 | See table 3 |
| R2 | 47 Ω , 0.125 W ($V_{CC1} = 3$ V) |

Table 3.

Recommended resistor R1 (Ω)

| V_{CC2} (V) | Minimized current consumption, IrDA low power compliant |
|---------------|---|
| 2.7 | 24 |
| 3.0 | 30 |
| 3.3 | 36 |



Recommended Solder Profiles

Solder Profile for Sn/Pb soldering

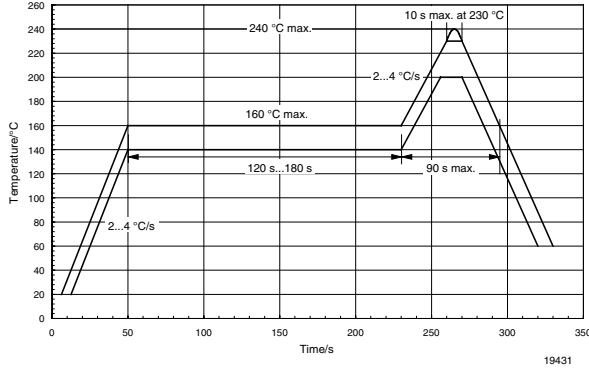


Figure 2. Recommended Solder Profile for Sn/Pb soldering

Lead (Pb)-free, Recommended Solder Profile

The TFBS4652 is a lead (Pb)-free transceiver and qualified for lead (Pb)-free processing. For lead (Pb)-free solder paste like $\text{Sn}_{(3.0-4.0)}\text{Ag}_{(0.5-0.9)}\text{Cu}$, there are two standard reflow profiles: Ramp-Soak-Spike (RSS) and Ramp-To-Spike (RTS). The Ramp-Soak-Spike profile was developed primarily for reflow ovens heated by infrared radiation. With widespread use of forced convection reflow ovens the Ramp-To-Spike profile is used increasingly. Shown below in figure 3 is VISHAY's recommended profiles for use with the TFBS4652 transceivers. For more details please refer to Application note: SMD Assembly Instruction.

Wave Soldering

For TFDUxxxx and TFBSxxxx transceiver devices wave soldering is not recommended.

Manual Soldering

Manual soldering is the standard method for lab use. However, for a production process it cannot be recommended because the risk of damage is highly dependent on the experience of the operator. Nevertheless, we added a chapter to the above mentioned application note, describing manual soldering and desoldering.

Storage

The storage and drying processes for all VISHAY transceivers (TFDUxxxx and TFBSxxx) are equivalent to MSL4.

The data for the drying procedure is given on labels on the packing and also in the application note "Taping, Labeling, Storage and Packing".

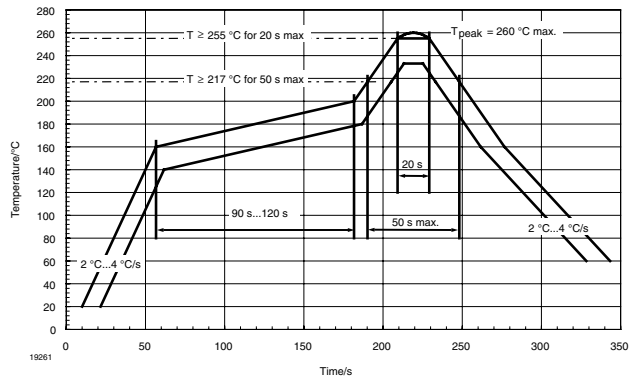
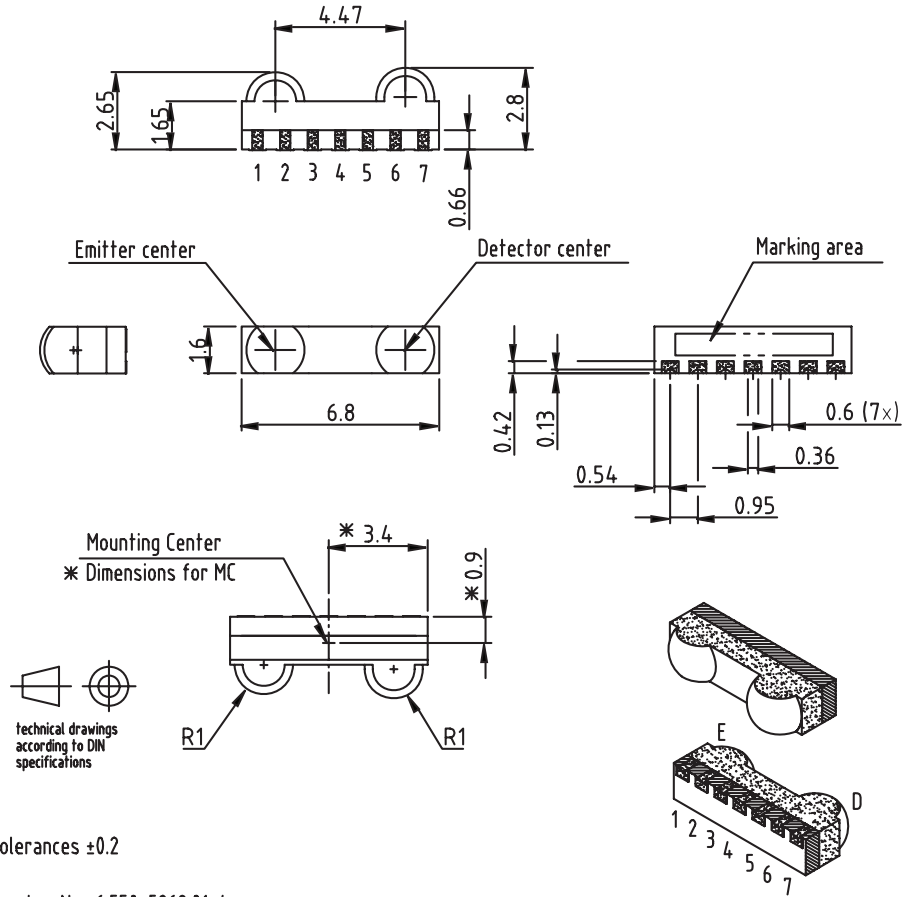


Figure 3. Solder Profile, RSS Recommendation

Package Dimensions in mm



Tolerances ± 0.2

Drawing-No.: 6.550-5268.01-4

Issue: 2; 06.03.06

19322

Figure 4. TFBS4652 mechanical dimensions, tolerance ± 0.2 mm, if not otherwise mentioned

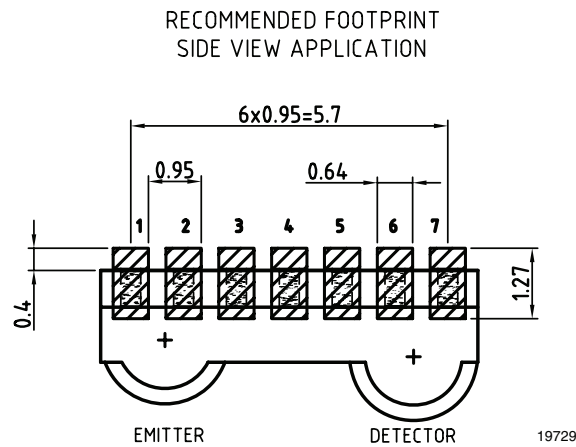
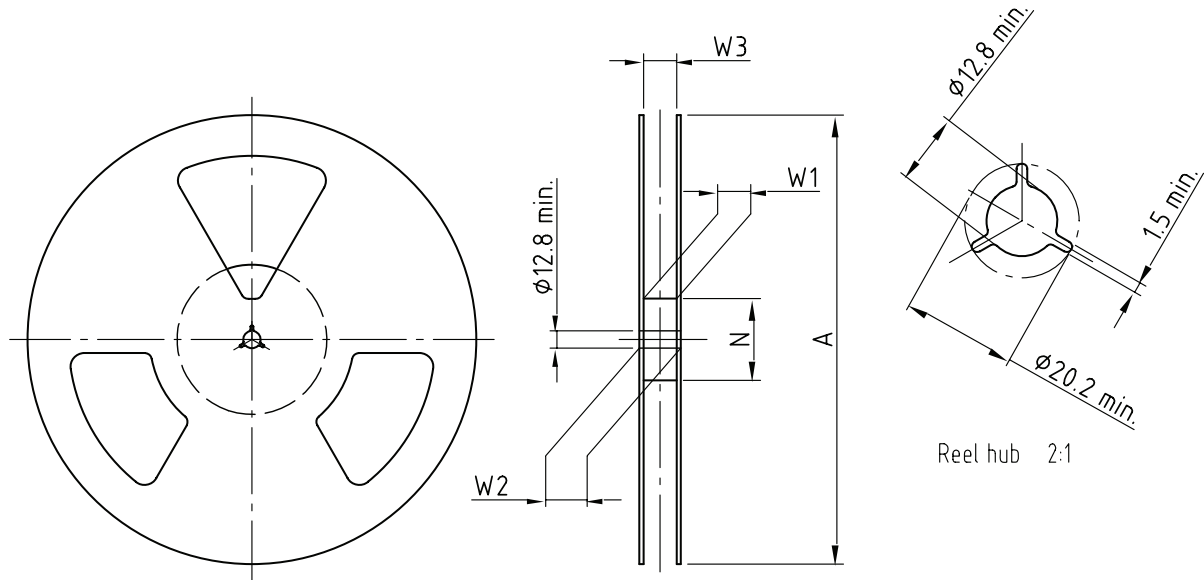


Figure 5. TFBS4652 soldering footprint, tolerance ± 0.2 mm, if not otherwise mentioned

Reel Dimensions



Drawing-No.: 9.800-5090.01-4
 Issue: 1; 29.11.05
 14017

Form of the leave open
 of the wheel is supplier specific.

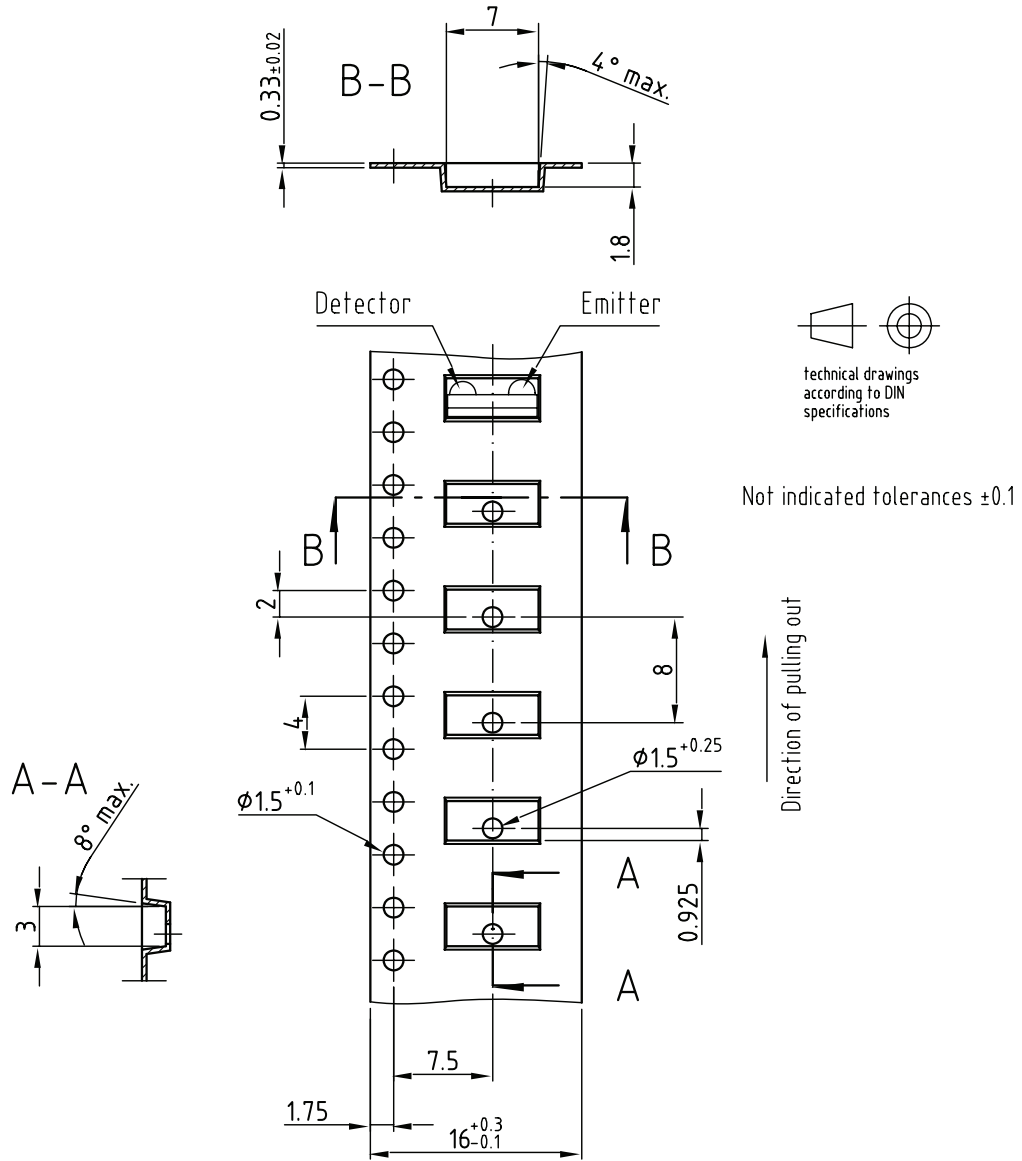
Dimension acc. to IEC EN 60 286-3

technical drawings
 according to DIN
 specifications

| Tape width | A max. | N | W ₁ min. | W ₂ max. | W ₃ min. | W ₃ max. |
|------------|--------|----|---------------------|---------------------|---------------------|---------------------|
| mm | mm | mm | mm | mm | mm | mm |
| 16 | 180 | 60 | 16.4 | 22.4 | 15.9 | 19.4 |
| 16 | 330 | 50 | 16.4 | 22.4 | 15.9 | 19.4 |



Tape Dimensions in mm



Drawing-No.: 9.700-5296.01-4

Issue: prel. copy; 24.11.04

19286



Disclaimer

All product specifications and data are subject to change without notice.

Vishay Intertechnology, Inc., its affiliates, agents, and employees, and all persons acting on its or their behalf (collectively, "Vishay"), disclaim any and all liability for any errors, inaccuracies or incompleteness contained herein or in any other disclosure relating to any product.

Vishay disclaims any and all liability arising out of the use or application of any product described herein or of any information provided herein to the maximum extent permitted by law. The product specifications do not expand or otherwise modify Vishay's terms and conditions of purchase, including but not limited to the warranty expressed therein, which apply to these products.

No license, express or implied, by estoppel or otherwise, to any intellectual property rights is granted by this document or by any conduct of Vishay.

The products shown herein are not designed for use in medical, life-saving, or life-sustaining applications unless otherwise expressly indicated. Customers using or selling Vishay products not expressly indicated for use in such applications do so entirely at their own risk and agree to fully indemnify Vishay for any damages arising or resulting from such use or sale. Please contact authorized Vishay personnel to obtain written terms and conditions regarding products designed for such applications.

Product names and markings noted herein may be trademarks of their respective owners.