

# 1 Through Terminal Blocks

Front-entry

36

0.08 – 4 mm<sup>2</sup> | AWG 28 – 12  
800 V/8 kV/3 ① | 600 V, 20 A ②  
32 A | 600 V, 25 A ③

Terminal block width 6 mm / 0.236 in  
9 – 10 mm / 0.37 in

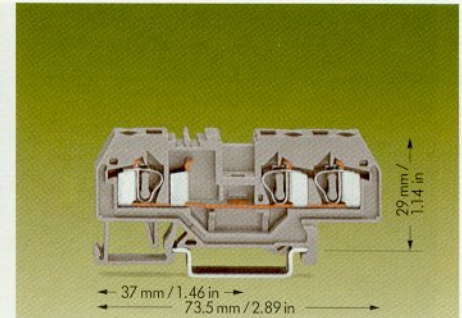
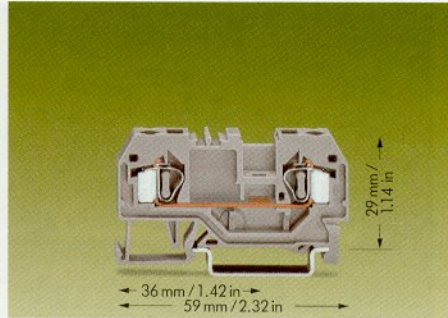
\*

0.08 – 4 mm<sup>2</sup> | AWG 28 – 12  
800 V/8 kV/3 ① | 600 V, 20 A ②  
32 A | 600 V, 25 A ③

Terminal block width 6 mm / 0.236 in  
9 – 10 mm / 0.37 in

\*

- ① 800 V = rated voltage  
8 kV = rated surge voltage  
3 = pollution degree  
(see also section 10)
- ② See application notes on pages 1.197 – 1.199
- ③ Suitable for EEx i-applications



Description	Item-No.	Item-No.	Pack.-unit pcs	Item-No.	Item-No.	Pack.-unit pcs			
Through terminal block, for DIN 35 rail	2-conductor through terminal blocks			3-conductor through terminal blocks					
	grey	281-901	red	281-903	grey	281-681	red	281-679	50
	blue	281-904	① black	281-905	blue	281-684	① black	281-685	50
	orange	281-902	yellow	281-906	orange	281-678	yellow	281-686	50
Accessories (see also section 8)	Appropriate marking system WMB/WSB/WFB			Appropriate marking system WMB/WSB/WFB					
	End and intermediate plate	orange	grey	orange	grey				
	2.5 mm/0.098 in thick	281-329	281-328	100 (4 x 25)	2.5 mm/0.098 in thick	281-326	281-324	100 (4 x 25)	
	Separator plate, oversized	2 mm/0.079 in thick	281-331	281-330	100 (4 x 25)	2 mm/0.079 in thick	281-346	281-344	100 (4 x 25)
	Insulation stop ②, white	0.08 – 0.2 mm <sup>2</sup> ②	281-470	200 strips	0.08 – 0.2 mm <sup>2</sup> ②	281-470	200 strips		
	5 pcs/strip light grey	0.25 – 0.5 mm <sup>2</sup>	281-471	200 strips	0.25 – 0.5 mm <sup>2</sup>	281-471	200 strips		
	dark grey	0.75 – 1.5 mm <sup>2</sup>	281-472	200 strips	0.75 – 1.5 mm <sup>2</sup>	281-472	200 strips		
	Adjacent jumper, insulated	I <sub>N</sub> 32 A			I <sub>N</sub> 32 A				
	grey	281-402	200 (8 x 25)	grey	281-402	200 (8 x 25)			
	Alternate jumper, insulated	I <sub>N</sub> 32 A			I <sub>N</sub> 32 A				
	yellow-green	281-422	200 (8 x 25)	yellow-green	281-422	200 (8 x 25)			
	Staggered jumper ②, from 1 to 2	I <sub>N</sub> 32 A	781-452	100 (4 x 25)	I <sub>N</sub> 32 A	781-452	100 (4 x 25)		
	insulated, from 1 to 3		781-453	100 (4 x 25)		781-453	100 (4 x 25)		
	width 6 mm/0.236 in from 1 to 4		781-454	100 (4 x 25)		781-454	100 (4 x 25)		
	from 1 to 5		781-455	50 (2 x 25)		781-455	50 (2 x 25)		
	from 1 to 6		781-456	50 (2 x 25)		781-456	50 (2 x 25)		
	Push-in type wire jumper ②, insulated, 9 A – conductor	L = 60 mm/2.362 in	249-125	10	L = 60 mm/2.362 in	249-125	10		
	cross section 0.75 mm <sup>2</sup> /AWG 18	L = 110 mm/4.331 in	249-126	10	L = 110 mm/4.331 in	249-126	10		
		L = 250 mm/9.843 in	249-127	10	L = 250 mm/9.843 in	249-127	10		
	Protective warning marker, for 5 terminal blocks, fits into screwdriver slot	yellow	281-415	100 (4 x 25)	yellow	281-415	100 (4 x 25)		
	Modular test plug adapter, can be assembled into strips – use spacers over jumpered positions	Item-Nos and application notes see pages 1.194 to 1.196			Item-Nos and application notes see pages 1.194 to 1.196				
	Test plug adapter, suitable for terminal blocks 1.5 mm <sup>2</sup> – 4 mm <sup>2</sup> /AWG 16–12	5 mm/0.197 in wide	280-404	100 (4 x 25)	5 mm/0.197 in wide	280-404	100 (4 x 25)		
	for test plug 210-137 (2.3 mm/0.091 in Ø)				for test plug 210-137 (2.3 mm/0.091 in Ø)				
	Test plug adapter, suitable for terminal blocks 1.5 mm <sup>2</sup> – 10 mm <sup>2</sup> /AWG 16–8	8 mm/0.315 in wide	209-170	50 (2 x 25)	8 mm/0.315 in wide	209-170	50 (2 x 25)		
	for test plug 4 mm/0.157 in Ø				for test plug 4 mm/0.157 in Ø				
	Test plug, 6 mm/0.236 in wide, with CAGE CLAMP® for 0.08 mm <sup>2</sup> – 2.5 mm <sup>2</sup> /AWG 28–14	I <sub>N</sub> 24 A	281-407	100 (4 x 25)	I <sub>N</sub> 24 A	281-407	100 (4 x 25)		
	Other terminal block types with the same shape	gr. (earth) cond.	281-907	page 1.60	gr. (earth) cond.	281-687	page 1.60		
	disconnect	281-912	page 1.120	disconnect	281-683	page 1.121			
	carrier	281-916	page 1.140	carrier	281-610	page 1.140			
	diode	281-915/...-...	page 1.176	diode	281-673/...-...	page 1.177			

\* For further approvals with corresponding ratings see pages 10.3 ff.