

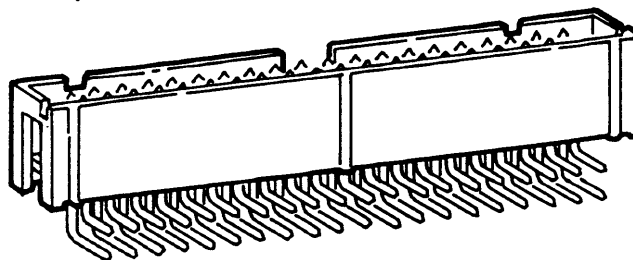
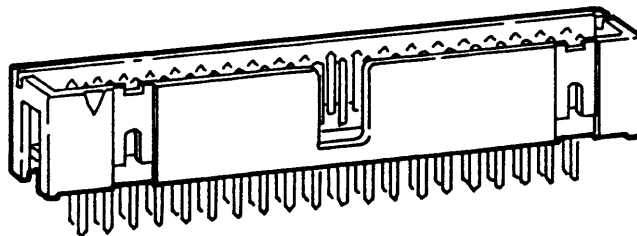
## 4-Wall Header Superslim

# QUICKIE\* IDC System

322-6918.

## Features

- Four-walled shielding protects pins in unmated condition and prevents misalignment.
- Dual polarization by use of polarization keys.
- Fully compatible with Quickie II Female and Quickie III Female connectors.
- Side window which enable unique locking through latching system.
- Duplex plating.
- According to European specifications: DIN 41651, HE 10 and BT D2632.



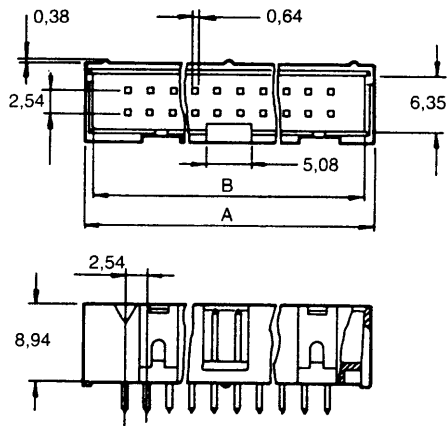
## Technical data

|              |                       |   |
|--------------|-----------------------|---|
| Spacing      |                       | 2,54 x 2,54 mm  |
| Polarization |                       | By cutting off a pin and adding a polarization plug to the mating female conn.<br>By using Quickie female with moulded single polarizing ridge or dual polarizing grooves in combination with header utilizing dual polarization keys |
| Body         | Material              | Glass-filled thermo-plastic polyester, (UL 94 V-0), blue  |
|              | Insulation resistance | 1 x 10 <sup>5</sup> MΩ min.   |
|              | Temperature range     | - 65° C to + 125° C   |
|              | Withstanding voltage  | 1000 V rms (sea level)  |
| Pin          | Material              | Phosphor bronze   |
|              | Plating/performance   | Gold or tin/lead in accordance to BE performance reference  |
|              | Current rating        | 1 A   |
| Packaging    |                       | 100 headers, min. order quantity 100 headers  |

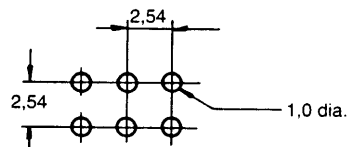
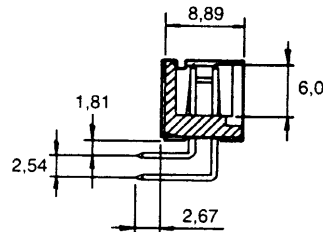
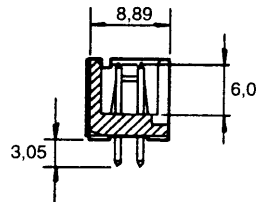
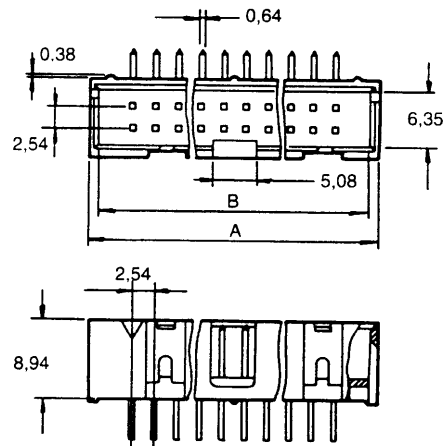
# 4-Wall Header Superslim

Dimensions mm

Straight header 75869



Right angle header 75867



Recommended p.c.b. lay-out

## Ordering data

Part numbers: 75867-xyy: Right-Angle header  
75869-xyy: Straight header

| Dash Number | Number Positions | Dim. "A" mm | Dim. "B" mm |
|-------------|------------------|-------------|-------------|
| -x30        | 4                | 12,42       | 10,18       |
| -x31        | 6                | 14,96       | 12,72       |
| -x32        | 8                | 17,50       | 15,26       |
| -x01        | 10               | 20,04       | 17,60       |
| -x02        | 14               | 25,12       | 22,88       |
| -x03        | 16               | 27,66       | 25,42       |
| -x04        | 20               | 32,74       | 30,50       |
| -x05        | 26               | 40,36       | 38,12       |
| -x33        | 30               | 45,44       | 43,20       |
| -x06        | 34               | 50,52       | 48,28       |
| -x07        | 40               | 58,14       | 55,90       |
| -x08        | 50               | 70,84       | 68,60       |
| -x09        | 60               | 83,54       | 81,30       |
| -x10        | 64               | 88,62       | 86,38       |

### Plating/performance:

replace x in part number by:

- |                            |                               |
|----------------------------|-------------------------------|
| 1 - class II, gold plated  | - solder side tin/lead plated |
| 2 - tin/lead plated        | - solder side tin/lead plated |
| 3 - class III, gold plated | - solder side tin/lead plated |
| 5 - gold flash             | - solder side tin/lead plated |

- Notes:
1. Pin section 0,64 mm.
  2. Standard polarization key 67020-001.
  3. Double bump polarization key 67020-002.
  4. For performance level specification see page Performance Classification.