

DC-inlet filter, front- or rear side mounting

new



Front or rear side mounting
(Mating Connector Molex HCS-125)



Front or rear side mounting
(Mating connector AMP Universal MATE-N-LOK
or Molex MLX)



Rear side mounting
(as shown with Mating Connector Molex HCS-125
or mating connector AMP Universal MATE-N-LOK
or Molex MLX)



Description

- Panel Mount:
 - Screw-on version from front or rear side
- 2 Functions:
 - Inlet, DC line filter in standard version
- Quick connect terminals 6.3 x 0.8 mm
- Alternative: version 5120 for AC applications

Approvals

- UL License Number: E72928

Characteristics

- Compact high-performance DC-filter
- Applications:
 - Mission Critical Ethernet LAN Routers
 - High uptime Ethernet LAN Switches
 - Fiber Optic WAN Switches
 - Fiber Optic WAN Multiplexer

Other versions on request

- with long earth pin in connector

References

[General Product Information](#)

Weblinks

Approvals: www.schurter.com/approvals
 RoHS: <http://www.schurter.com/rohs>
 CHINA-RoHS: www.schurter.com/china-rohs
 Webstore: www.schurterinc.com/estore/search.ihtml

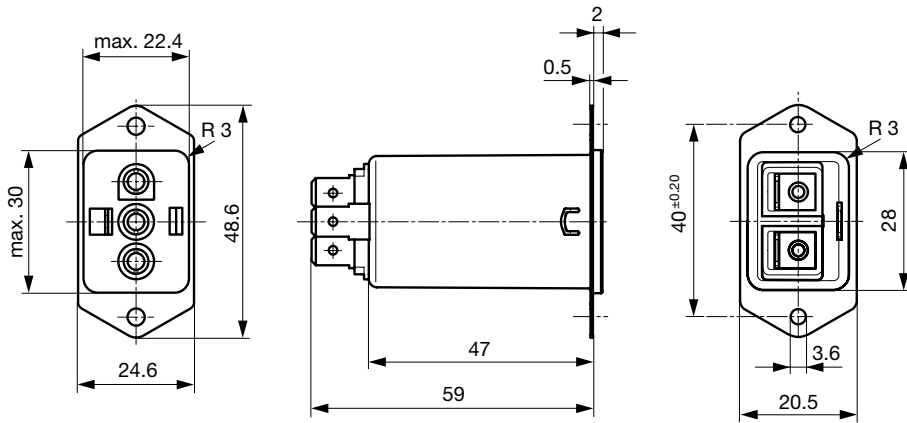
Technical Data

Ratings UL/CSA	3 - 15A @ Ta 40 °C / 125VDC
Dielectric Strength	> 0.5kVDC between live parts of differential potentials > 1.1kVDC between protective conductor and live parts Test voltage (2 sec)
Allowable Operation Temp.	-25 °C to 85 °C
Climatic Category	25/085/21 acc. to IEC 60068-1
Protection Class	Suitable for appliances with protection class I
Terminal	Quick connect terminals 6.3 x 0.8 mm
Panel Thickness s	Screw-on from rear side to 2.5mm Mounting screw torque max 0.5Nm
Material: Housing	Thermoplastic, black, UL 94V-0

Line Filter	DC Standard Version, UL 1283 Technical details
MTBF	> 3'900'000 h acc. to MIL-HB-217 F

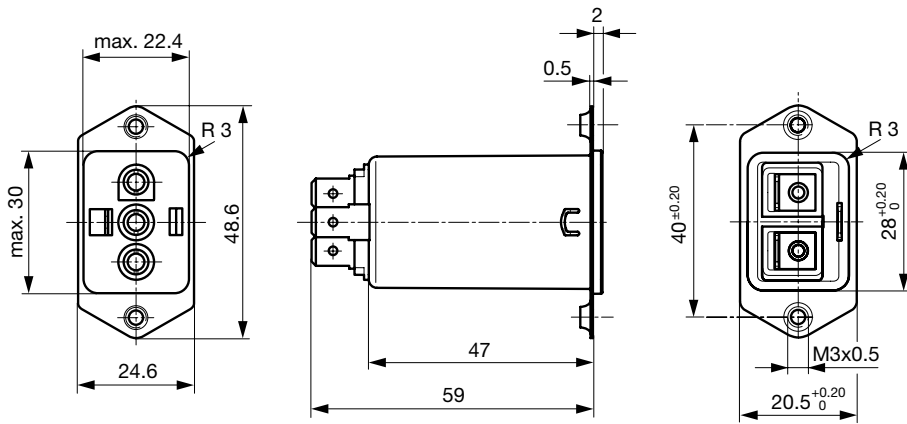
Dimensions

Length |-----| 59 mm



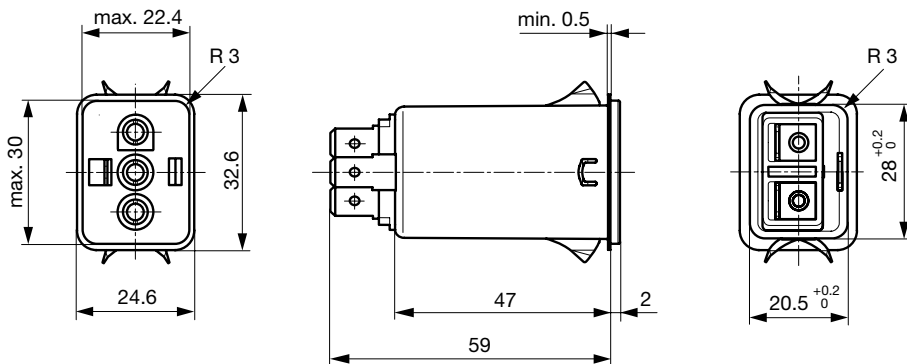
Mating Connector Molex HCS-125

Front- or rear side mounting for screws with nuts or blind rivets



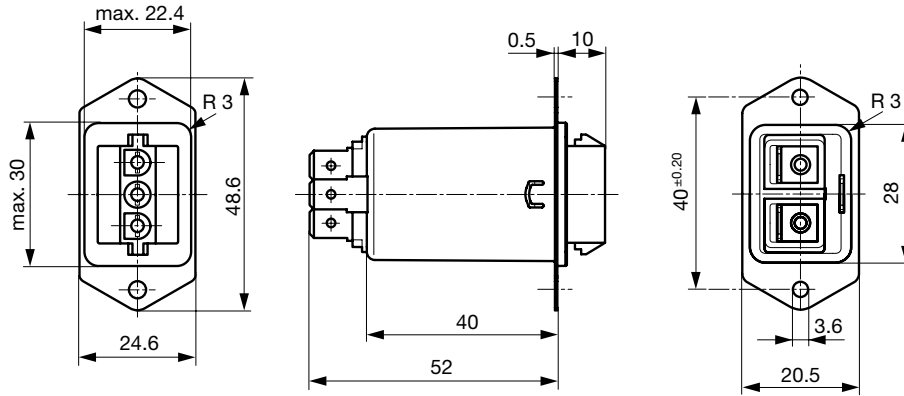
Mating Connector Molex HCS-125

Rear side mounting with pre-formed, threaded holes for M3 screws

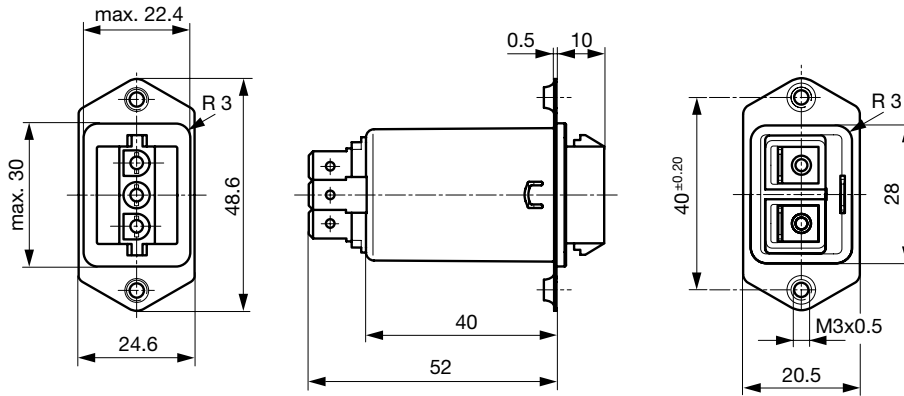


Mating Connector Molex HCS-125

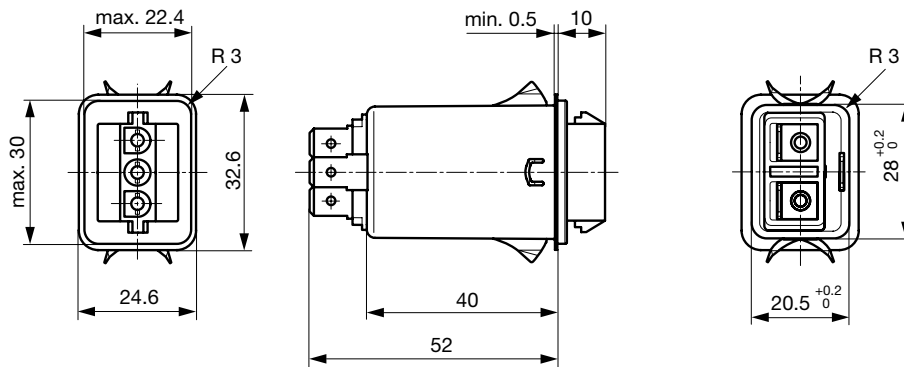
Snap-in mounting from front side



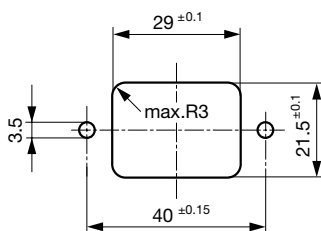
Mating Connector AMP Universal MATE-N-LOK oder Molex MLX
Front or rear side mounting for screws with nuts or blind rivets



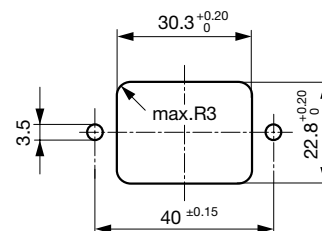
Mating Connector AMP Universal MATE-N-LOK oder Molex MLX
Rear side mounting with pre-formed, threaded holes for M3 screws



Mating Connector AMP Universal MATE-N-LOK oder Molex MLX
Snap-in mounting from front side

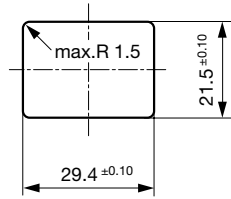


Panel cutout for front side mounting



Panel cutout for rear side mounting

Mating Connector



Panel cutout for snap-in mounting



Molex HCS-125
 Housing: Molex no. 03-12-1036
 Female terminal (3 needed per housing): Molex no. 18-12-1222

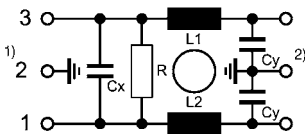


AMP Universal MATE-N-LOK
 Housing: AMP no. 1-480700-0
 Female terminal (3 needed per housing): AMP no. 926901-1
 Molex MLX
 Housing: Molex no. 50-84-1030
 Female terminal (3 needed per housing): Molex no. 02-08-1002

Technical Data of Filter-Components

Rated Current [A]	Filter-Type	Inductances L [mH]	Capacitance CX	Capacitance CY	R [MW]
3	DC Standard Version	2 x 4	100	4.7	1
6	DC Standard Version	2 x 0.8	100	4.7	1
10	DC Standard Version	2 x 0.4	100	4.7	1
15	DC Standard Version	2 x 0.1	100	4.7	1

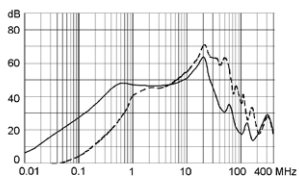
Diagrams



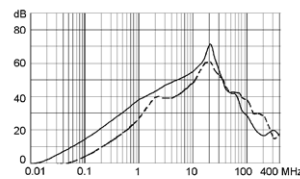
1) Line
 2) Load

Attenuation Loss

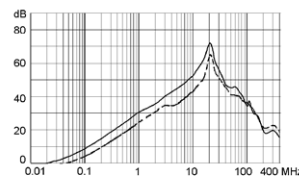
Standard version
 3 A



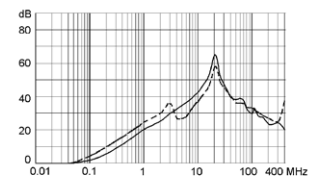
6 A



10 A



15 A



--- differential mode _____ common mode

Variants

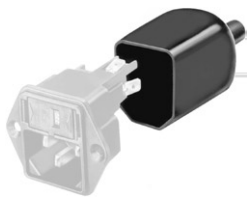
[Webstore](#)

Rated Current [A]	Screw-on version from front or rear for screws with nuts, or rivets	Screw-on version from rear with pre-formed, threaded holes for M3 screws	Mating Connector	Order Number
3	●		Molex HCS-125	5003.0111.1
6	●		Molex HCS-125	5003.0211.1
10	●		Molex HCS-125	5003.0311.1
15	●		Molex HCS-125	5003.0411.1
3		●	Molex HCS-125	5003.0121.1
6		●	Molex HCS-125	5003.0221.1
10		●	Molex HCS-125	5003.0321.1
15		●	Molex HCS-125	5003.0421.1
3	●		AMP / Molex MLX	5003.1111.1
6	●		AMP / Molex MLX	5003.1211.1
10	●		AMP / Molex MLX	5003.1311.1
15	●		AMP / Molex MLX	5003.1411.1
3		●	AMP / Molex MLX	5003.1121.1
6		●	AMP / Molex MLX	5003.1221.1
10		●	AMP / Molex MLX	5003.1321.1
15		●	AMP / Molex MLX	5003.1421.1

Packaging unit 10 Pcs

Accessory

Description



[Assorted Covers](#)
Rear Cover



[Cord retaining kits](#)
Cord retaining strain relieve