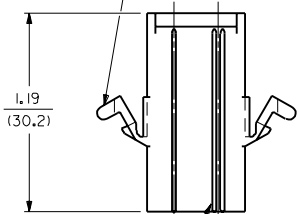
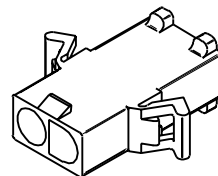
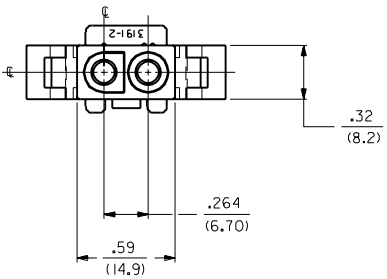


PREBENT MOUNTING EAR
(WHEN SPECIFIED)



CIRCUIT NUMBER
IDENTIFICATION RIBS



PLUG

3	E2	
2	D	
1	E4	
<input checked="" type="checkbox"/>	SH.	REV. LTR. REVISIONS

REVISIONS

E4	REVISED UCR 98-0148 WANG 98-04-15
E3	ADD RAMP DIM'S ECN #U4 0293 3-1-94 RW
E2	X-REMOVE ECR U3 0001 C/C 12/30/92 RW
E1	REL. RED VERSIONS ECR U1 2167 C/C 1/24/92 RW
E	REV. MATL. CODE ECR # U90901 KBW 01-25-89 RW
D	REV. & REDRAWN ECR UB 1858 GEP 11-21-88 RW

PLUG

SEE CHART

SD-3191-2*

MOLEX INCORPORATED

U.S.A. 11/21/88

FILE NAME: S31912X1.DWG

SCALE: 2 : 1

APP'D: RAS

DRWG. NO. 60532

DATE: 11/21/88

REV. 1 OF 3

SIZE: CP

NO P.S. 1

DIMENSIONS SHOWN METRIC (INCH)

	INCH	METRIC
3 PLACE	± .010	---
2 PLACE	± .014	± 0.25
1 PLACE	---	± 0.35

DRAFT WHERE APPLICABLE MUST REMAIN WITHIN DIMENSIONS

TITLE: .093/(2.36) HOUSING, PLUG AND RECEPTACLE, 2 CKT ±.264/(6.70) CTRS.

PART NO. SD-3191-2

DRWG. NO. 60532

DATE: 11/21/88

REV. 1 OF 3

SIZE: CP

NO P.S. 1

13 12 11 10 9 8 7 6 3191 4 3 2 1

PLUG		RECEPTACLE	
PART NO.	ENG. NO.	PART NO.	ENG. NO.
19-09-2028	3191-2P	19-09-1029	3191-2R1
19-09-2029	3191-2P1	19-09-1026	3191-2R1-201
19-09-2027	3191-2P-201	19-09-1020	3191-2R IRD
19-09-2026	3191-2P1-201	19-09-1021	3191-2R IBU
19-09-2020	3191-2P IRD		
19-09-2021	3191-2P IBU		

LEGEND:
 3191-2****-*

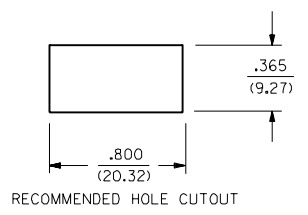
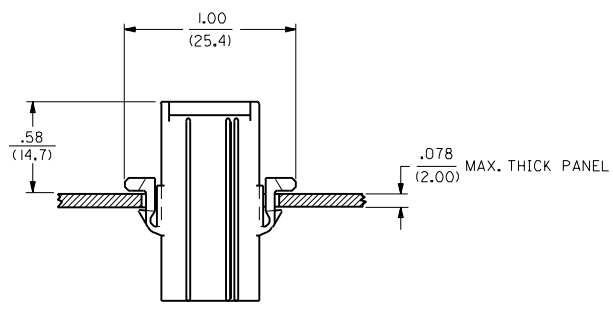
CIRCUIT SIZE

P = PLUG
 R = RECEPTACLE

EARS: BLANK = WITH PREBENT EARS (PLUG ONLY)
 I = WITHOUT EARS

COLOR: BLANK = NATURAL COLOR
 AM=AMBER BK=BLACK BU=BLUE
 BN=BROWN GY=GRAY GN=GREEN
 OR=ORANGE RD=RED YW=YELLOW

MATERIAL: BLANK=NYLON TYPE 6/6, 94V-2
 201=NYLON TYPE 6/6, 94V-0



NOTES:
 1. THESE HOUSINGS FOR USE WITH MOLEX .093/(2.36) DIAMETER SERIES TERMINALS.

J
I
H
G
F
D
C
B
A

3191

DIMENSIONS SHOWN (METRIC) INCH		▽=0	▽=0	REVISE ONLY ON CAD SYSTEM
UNLESS OTHERWISE SPECIFIED TOLERANCES: ANGLES .015°		TITLE		
INCH METRIC		.093/(2.36) HOUSINGS PLUG AND RECEPTACLE 2 CKT., .264/(6.70) CTRS.		
3 PLACE ± .010 ---		MOLEX INCORPORATED		
2 PLACE ± .014 ± 0.25		LITTLE, JILL. 60532 U.S.A. 3 11/21/88		
1 PLACE --- ± 0.35		PART NO. SD-3191-2*		
DRAFT WHERE APPLICABLE MUST REMAIN WITHIN DIMENSIONS		SEE CHART		
DRWG. BY: CEP	CHK'D. BY: RW	FILE NAME: 531912X3		
APP'D. BY: RAS	SCALE: --:--	THIS DRAWING CONTAINS INFORMATION THAT IS PROPRIETARY TO MOLEX INC. AND SHOULD NOT BE USED WITHOUT WRITTEN PERMISSION.		
LTR. REVISIONS	LTR. REVISIONS	NO P.S. 1		

13 12 11 10 9 8 7 6 5 4 3 2 NO P.S. 1