

Features

- Multiturn / Cermet / Industrial / Sealed
- Standoffs
- Listed on the QPL per MIL-PRF-22097 and High-Rel MIL-PRF-39035

RJ24/RJR24 - 3/8" Square Trimpot® Trimming Potentiometer

Electrical Characteristics

Standard Resistance Range	10 ohms to 1 megohm
	(see standard resistance table)
Resistance Tolerance	±10 % std.
Absolute Minimum Resistance	
RJ24	2 % or 20 ohms max.
	(whichever is greater)
RJ24	2 % or 2 ohms max.
	(whichever is greater)
Contact Resistance Variation	
	3.0 % or 3 ohms max.
	(whichever is greater)
Adjustability	
Voltage	±0.01 %
Resistance	±0.05 %
Resolution	Infinite
Insulation Resistance	500 vdc.
	1,000 megohms min.
Dielectric Strength	
Sea Level	1,000 vac
80,000 Feet	400 vac
Effective Travel	25 turns nom.

Environmental Characteristics

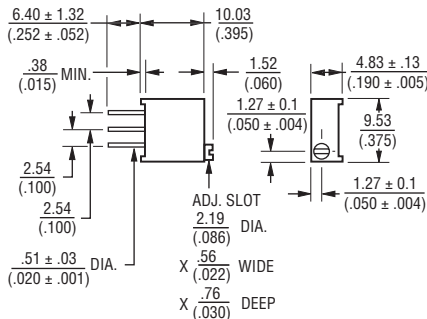
Power Rating (300 volts max.)	
85 °C	0.5 watt
150 °C	0 watt
Temperature Range	-55 °C to +150 °C
Temperature Coefficient	±100 ppm/°C
Seal Test	85 °C Fluorinert*
Humidity	MIL-STD-202 Method 106
RJ24	96 hours
	(1 % ΔTR, 10 Megohms IR)
RJ24	96 hours
	(1 % ΔTR, 100 Megohms IR)
Vibration	20 G (1 % ΔTR; 1 % ΔVR)
Shock	100 G (1 % ΔTR; 1 % ΔVR)
Load Life	
RJ24	1,000 hours 0.5 watt @ 85 °C
	(2 % ΔTR; 10% ΔVR)
RJ24	10,000 hours 0.5 watt @ 85 °C
	(3 % ΔTR)
Rotational Life	200 cycles (2 % ΔTR)

Physical Characteristics

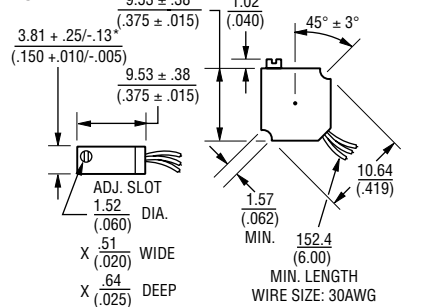
Torque	5.0 oz-in. max.
Mechanical Stops	Wiper idles
Terminals	Mil-Std 202, Method 208
Weight	0.025 oz.
Marking	Mil-spec part number, date code
Wiper	50 % (Actual TR) ±10 %
Flammability	U.L. 94V-0
Standard Packaging	50 pcs. per tube
Adjustment Tool	H-90

Product Dimensions

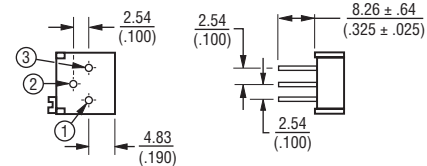
Common Dimensions



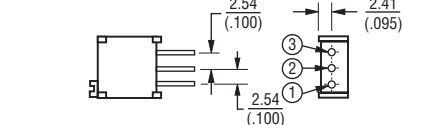
RJ24FL



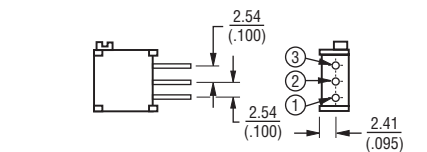
RJ24FP/RJR24FP



RJ24FW/RJR24FW



RJ24FX/RJR24FX



DIMENSIONS: $\frac{\text{MM}}{\text{(INCHES)}}$

TOLERANCES: $\pm \frac{0.25}{(.010)}$ EXCEPT WHERE NOTED

How To Order

MIL-PRF-22097 **RJ24 F L 202**

Model	_____
Characteristic	_____
	F = ±100 ppm/°C Temp. Coeff. Max.
Terminal Style	_____
Resistance Code	_____

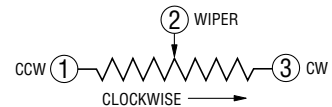
How To Order

MIL-PRF-39035 **RJR24 F W 502 R**

Model	_____
Characteristic	_____
	F = ±100 ppm/°C Temp. Coeff. Max.
Terminal Style	_____
Resistance Code	_____
Failure Rate	_____
	M = 1.0 %
	P = 0.1 %
	R = 0.01 %

Standard Resistance Table

Resistance (Ohms)	Resistance Code
10	100
20	200
50	500
100	101
200	201
500	501
1,000	102
2,000	202
5,000	502
10,000	103
20,000	203
25,000	253
50,000	503
100,000	104
200,000	204
250,000	254
500,000	504
1,000,000	105



REV. 03/10

*RoHS Directive 2002/95/EC Jan 27 2003 including Annex. "Trimpot" is a registered trademark of Bourns, Inc. Specifications are subject to change without notice. Customers should verify actual device performance in their specific applications.