



## Switching, Sensing and Control Solutions

from GENTECH INTERNATIONAL LTD

Grangestone Industrial Estate, Girvan, Ayrshire KA26 9PS, United Kingdom

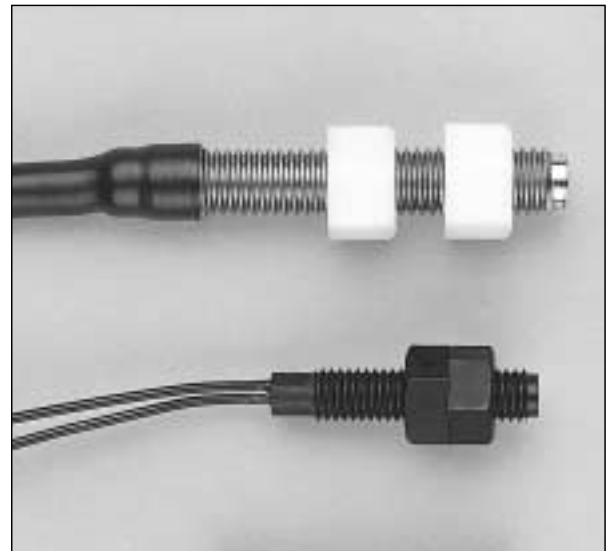
Telephone: +44 (0) 1465-713581. Fax: +44 (0) 1465 714974

Email: sales@gentech-international.co.uk

Website: gentech-international.co.uk

# PS8 SERIES

## POSITION SENSOR



### DESIGN FEATURES

- Normally open switching
- Sealed to IP67 (PS801)
- 316 Stainless Steel or Nylon 6.6 construction
- Adjustable internal fit
- M10 x 1.5 threaded and M8 x 1.25 housings
- Robust with high chemical resistance
- Reed switch reliability
- Temperature range up to 120°C
- Adjustable to suit varying wall thickness and protrusions
- PM8 actuation magnet available

Gentech PS8 Series sensors are cylindrical threaded devices available in two package styles - stainless steel and Nylon 6.6. The twin locknut allows for both field adjustment to the target magnet and through-panel mounting. Compatible PM8 magnets are available.

### Operational Characteristics

| Contact Configuration                  | SPST(NO)* |      |
|--|-----------|------|
| Contact ratings                        |           |      |
| Maximum (resistive loads)              | Volts DC  | 100  |
|  | Volts AC  | 250  |
|  | Amps      | 1.0  |
|  | Watts     | 15   |
| Minimum withstand across open contacts | Volts     | 800  |
| Initial contact resistance             | Ohms      | 0.25 |

The above contact ratings are for resistive loads. For inductive, capacitive and tungsten filament lamp loads refer to the circuit protection notebook.

\*Other switch options available

### TYPICAL APPLICATIONS

- Security switches
- Interlocked switches
- Pulse generation
- Position indicators
- Materials handling

### Environmental Specifications

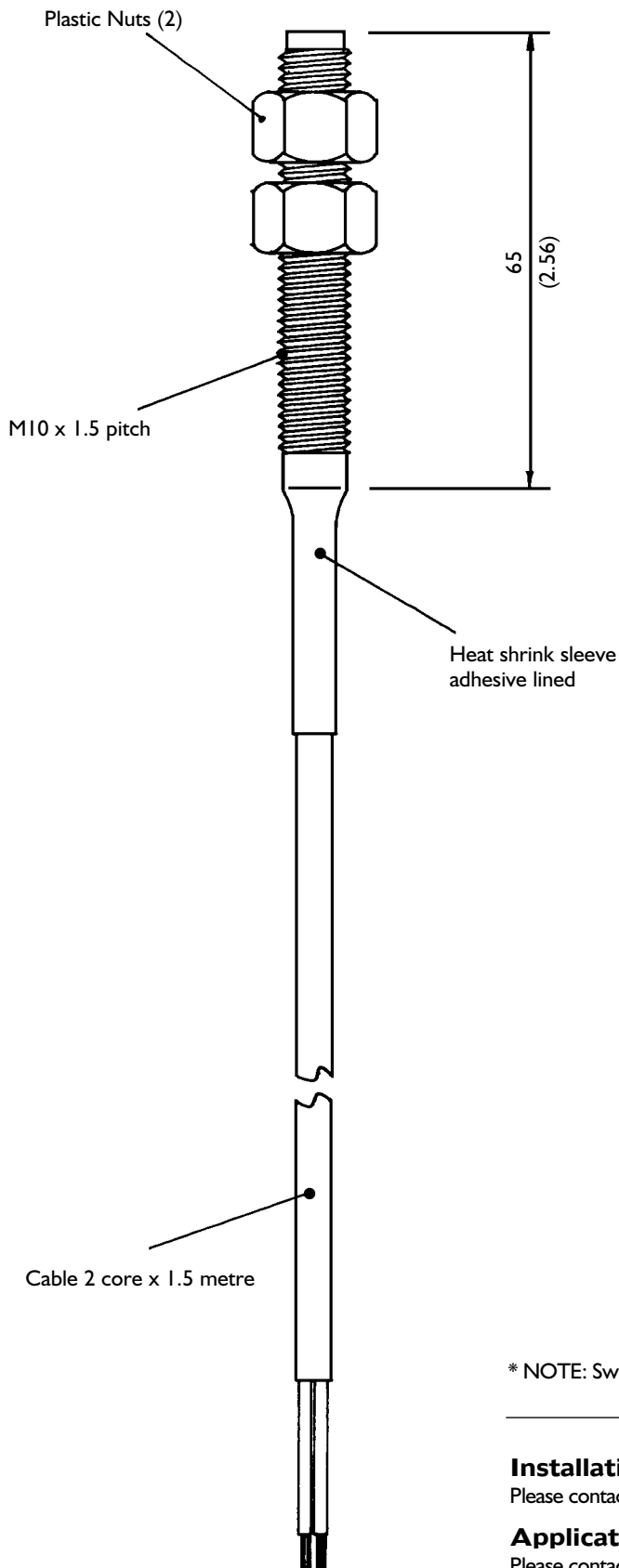
| Temperature Range | Operate and Storage |
|-------------------|---------------------|
| Sensor            | -30° to +120°C      |
| Cable Insulation  | -30° to +70°C       |

### Electrical Connections

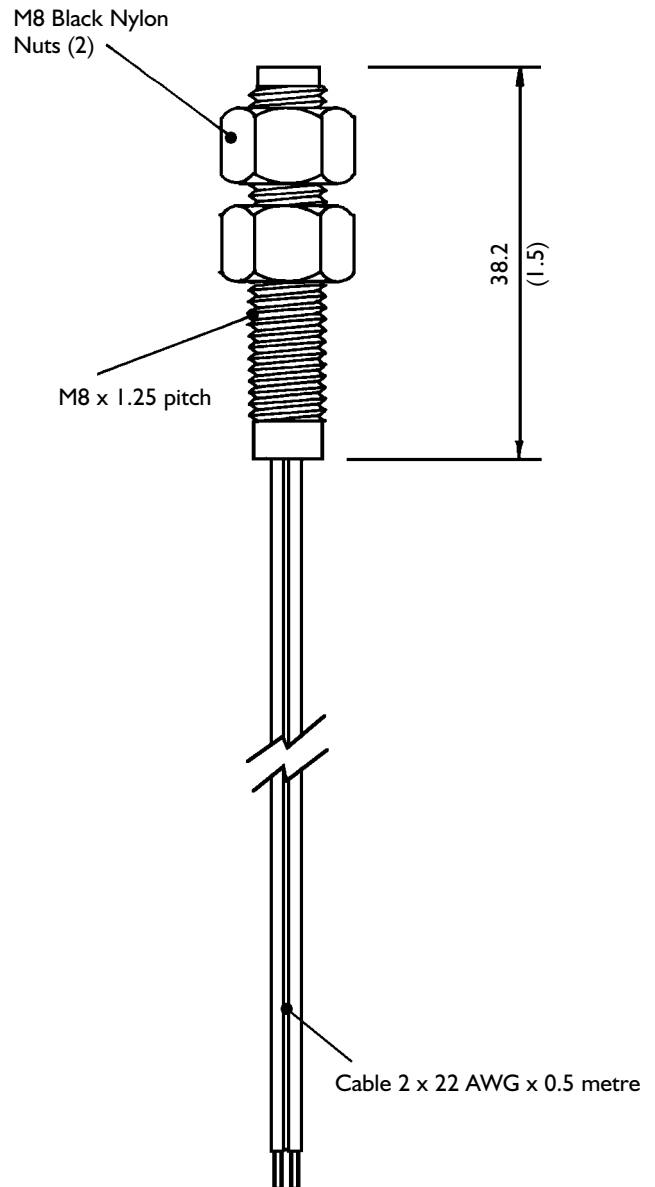
PS801 fitted with 1.5 metre of 0.5mm<sup>2</sup>, 16/0.2mm stranded PVC insulation cable

PS811 fitted with 0.5m of 2 x 22 AWG PVC insulated cable

## PS80I Stainless Steel



## PS81I Nylon 6.6



\* NOTE: Switching distance will be determined by magnet strength and orientation

### Installation

Please contact Sales at Gentech for installation instructions (Ref. FI 1000-R1)

### Applications

Please contact Sales at Gentech for applications relating to this product group.