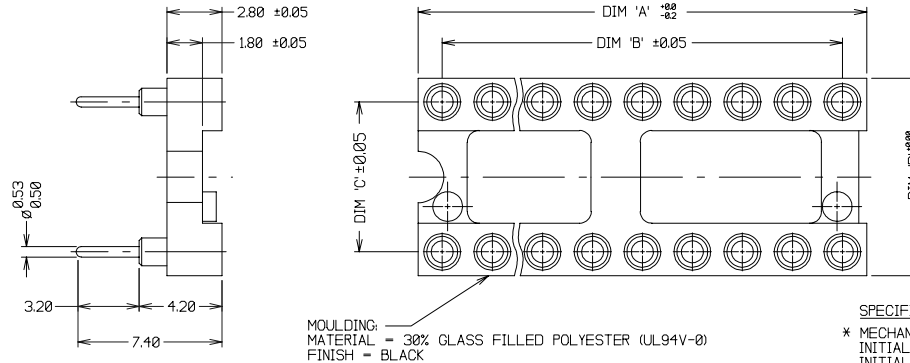


Customer Information Sheet

DRAWING No.- D2XXX-01 / D2XXX-21 SHEET 2 OF 2 IF IN DOUBT - ASK © NOT TO SCALE THIRD ANGLE PROJECTION ALL DIMENSIONS IN mm



CONTACTS:
 MATERIAL - SHELL = BRASS
 CLIP = BERYLLIUM COPPER
 FINISH - 01 = SHELL; TIN, CLIP; GOLD
 21 = SHELL; TIN, CLIP/GOLD FLASH

ORDER CODE

D2XXX-XX

SERIES CODE (SEE TABLE) _____

NO. OF WAYS _____

FINISH _____

01 - TIN SHELL/GOLD CLIP
 21 - TIN SHELL/GOLD FLASH CLIP

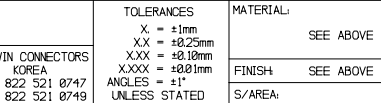
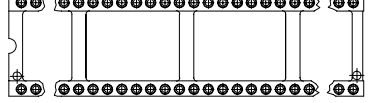
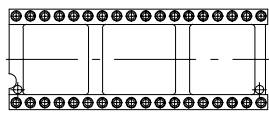
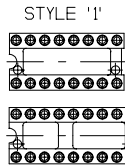
MOULDING:
 MATERIAL = 30% GLASS FILLED POLYESTER (UL94V-0)
 FINISH = BLACK

- * NOTES:
 1. COMPONENTS SUPPLIED IN PLASTIC TUBES 537mm LONG.
 2. RECOMMENDED MOUNTING HOLE SIZE = Ø0.80mm

HARWIN PART No.	No. OF WAYS	STYLE	DIM 'A'	DIM 'B'	DIM 'C'	DIM 'D'
D2806-XX	6	1	7.6	5.08	7.62	10.02
D2808-XX	8	1	10.1	7.62	7.62	10.02
D2814-XX	14	1	17.7	15.24	7.62	10.02
D2816-XX	16	1	20.3	17.78	7.62	10.02
D2818-XX	18	2	22.8	20.32	7.62	10.02
D2820-XX	20	2	25.3	22.86	7.62	10.02
D2922-XX	22	2	27.8	25.4	7.62	10.02
D2822-XX	22	2	27.8	25.4	10.16	12.6
D2824-XX	24	2	30.4	27.94	15.24	17.64
D2924-XX	24	2	30.4	27.94	7.62	10.02
D2724-XX	24	2	30.4	27.94	10.16	12.6
D2828-XX	28	2	35.5	33.02	15.24	17.64
D2832-XX	32	2	40.6	38.1	15.24	17.64
D2840-XX	40	3	50.8	48.26	15.24	17.64
D2948-XX	48	3	60.9	58.42	15.24	17.64
D2864-XX	64	4	81.2	78.74	22.86	25.4

SPECIFICATIONS:

- * MECHANICAL:
 INITIAL INSERTION FORCE = 3N MAX (Ø1.3mm Ø GAUGE)
 INITIAL WITHDRAWAL FORCE = 0.5N MIN (Ø1.3mm Ø GAUGE)
 RETENTION FORCE MEASURED WITH A POLISHED STEEL GAUGE
 DIAMETER Ø0.40mm AFTER 3 INSERTIONS OF A PIN WITH
 A DIAMETER Ø0.53mm; ±0.14N MIN
 MECHANICAL LIFE = 100 CYCLES MIN
- * ELECTRICAL:
 MAXIMUM WORKING CURRENT (1 TERMINAL) = 1 AMP
 RATED VOLTAGE = 100V RMS / 150V DC
 CONTACT RESISTANCE = 10 MILLIOHMS MAXIMUM
 INSULATION RESISTANCE = 10000 MEGOHMS
 DIELECTRIC STRENGTH = 1000V RMS MIN
- * GENERAL:
 OPERATING TEMPERATURE = -55°C TO 125°C
- * FOR COMPLETE SPECIFICATION, SEE COMPONENT SPECIFICATION C004XX (LATEST ISSUE).



I2	29.10/97	4118
I1	11/09/96	3461
ISS.	DATE	C/N
APPROVED:		
CHECKED:		
DRAWN: A LIOTTA		
CUSTOMER REF.		
ASSEMBLY DRG.		

HARWIN				TOLERANCES X = ±1mm XX = ±0.25mm XXX = ±0.10mm XXXX = ±0.01mm ANGLES = ±1° UNLESS STATED	MATERIAL: SEE ABOVE	TITLE: DIL IC SOCKET OPEN FRAME
HARWIN INC U.S.A. TEL: (812) 285 0055 FAX: (812) 285 0058	HARWIN PLC U.K. TEL: 01705 370451 FAX: 01705 324010	HARWIN PTE SINGAPORE TEL: 05 7794909 FAX: 05 7793868	HARWIN CONNECTORS KOREA TEL: 822 521 0747 FAX: 822 521 0749	FINISH SEE ABOVE	DRAWING NUMBER: D2XXX-01/D2XXX-21	SHT 2 OF 2