

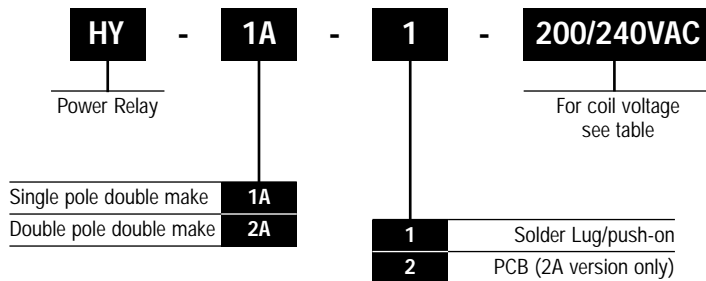
High Capacity Relay HY



- 30A high capacity relay able to withstand momentary voltage drops to 50% rated
- Class F insulation
- Heavy load up to 7500VA
- UL/cUL approved



Options and ordering codes



Specification

Type	HY1A	HY2A
Rated load	Res. 30A, 250VAC/Ind. 25A, 250VAC COS Ø0.4	Res. 25A, 250VAC/Ind. 25A, 250VAC COS Ø0.4
Rated current	30A	25A
Maximum switching voltage	277VAC	
Maximum switching capacity	7500VA	6250VA
Operate time	30ms max	
Release time	30ms max	
Dielectric strength	4000V, 50/60Hz for 1 min (coil to contact)	
Ambient operating temperature	-55 ~ +70C (no freezing)	
Mechanical service life	10,000,000 operations min	
Electrical service life	100,000 operations min	
Contact material	AgSnO	
Voltage range	AC80 ~ 110%, DC75 ~ 110%	
Power consumption	Approx. 1.7VA ~ 2.7VA/1.9W	
Weight	Approx. 120g	

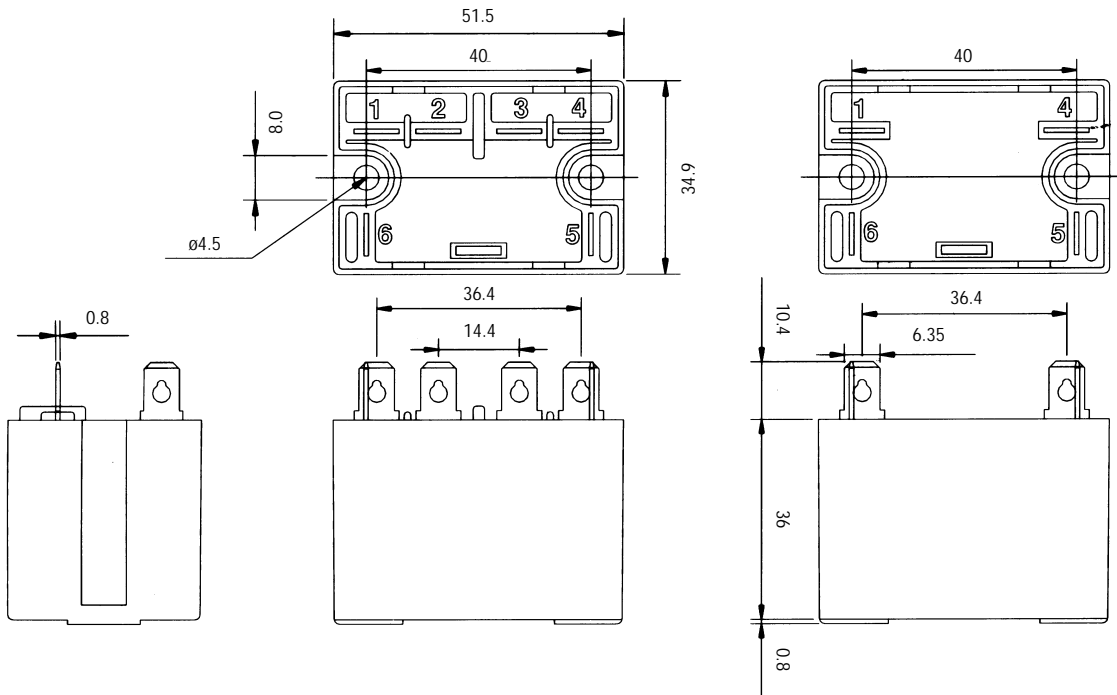
Coil Data

Rated Voltage	AC Coils. Coil resistance Ω	DC Coils. Coil resistance Ω
12	75	75
24	300	300
100/120	5200	6300
200/240	208000	-

High Capacity Relay HY continued

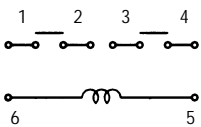


Outline dimensions (mm)

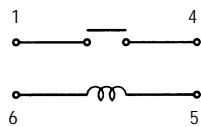


Wiring diagram

2A

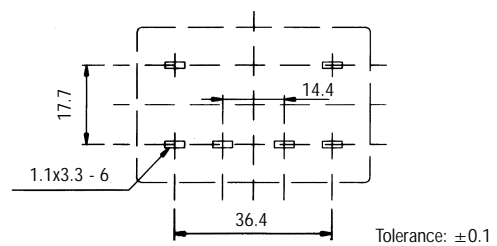


1A



PCB layout

2A



Mounting holes

