







PRODUCT DATASHEET

3VA PCB MOUNTED TRANSFORMER



-  Designed, manufactured and tested in accordance with;
BS3535, EN60742*, EN61558*, EN60950
-  CE Marked
-  Single 230V or Dual 115V primaries
-  Comprehensive choice of secondary voltages
-  Flame retardant bobbins and shrouds
-  Fully shrouded construction

Weight	0.140	Kg
Typical Regulation	20	%
Frequency	50/60	Hz
Max Ambient	25	°C
Bobbin Material	UL94-V0 Class "B" 130°C	

* requires additional over-current / over-temperature protection.

Please see sheet 2 for part numbers.



DAGNALL ELECTRONICS LIMITED

Shuttleworth Road, Elms Industrial Estate, Bedford. MK41 0EP UK
TEL +44(0)1234 330077 FAX +44(0)1234 330088
E-mail sales@dagnall-electronics.com

Iss 1 13/05/03
2 of 4

Part Numbers

Part No	Primary	Secondary	Recommended Secondary Fuse
D3000	230	6+6	0.25A
D3001	230	9+9	0.160A
D3002	230	12+12	0.125A
D3003	230	15+15	0.10A
D3004	115+115	6+6	0.25A
D3005	115+115	9+9	0.160A
D3006	115+115	12+12	0.125A
D3007	115+115	15+15	0.10A

Please see sheets 3 and 4 for dimensions, pin outs and connection information.

DAGNALL ELECTRONICS LIMITED

Shuttleworth Road, Elms Industrial Estate, Bedford. MK41 0EP UK

TEL +44(0)1234 330077 FAX +44(0)1234 330088

E-mail sales@dagnall-electronics.com

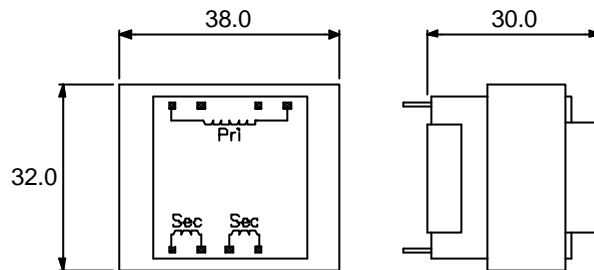
Issue 1. 13/05/03

3 of 4

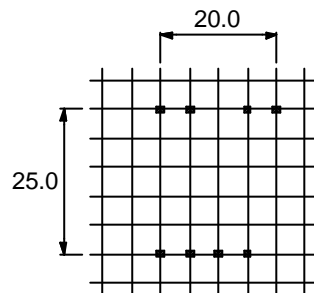
PRODUCT DATASHEET

3VA PCB MOUNTED TRANSFORMER

Outline Drawing 230V version



Pin Grid



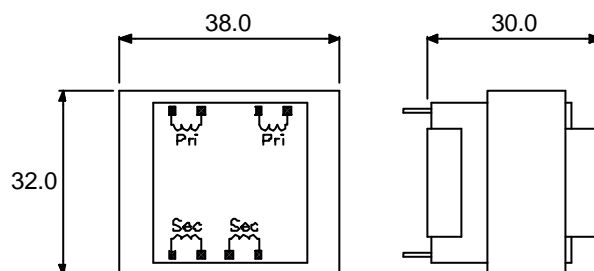
PCB Pins 0.635mm Sq

Pin length 5.0mm

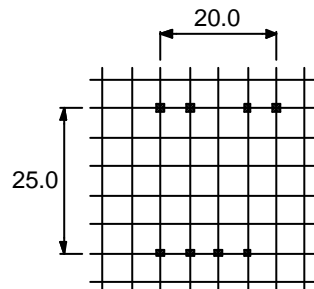
Hole size 1.0mm

5mm pin grid

Outline Drawing Dual 115V version



Pin Grid



PCB Pins 0.635mm Sq

Pin length 5.0mm

Hole size 1.0mm

5mm pin grid

DAGNALL ELECTRONICS LIMITED

Shuttleworth Road, Elms Industrial Estate, Bedford. MK41 0EP UK

TEL +44(0)1234 330077 FAX +44(0)1234 330088

E-mail sales@dagnall-electronics.com

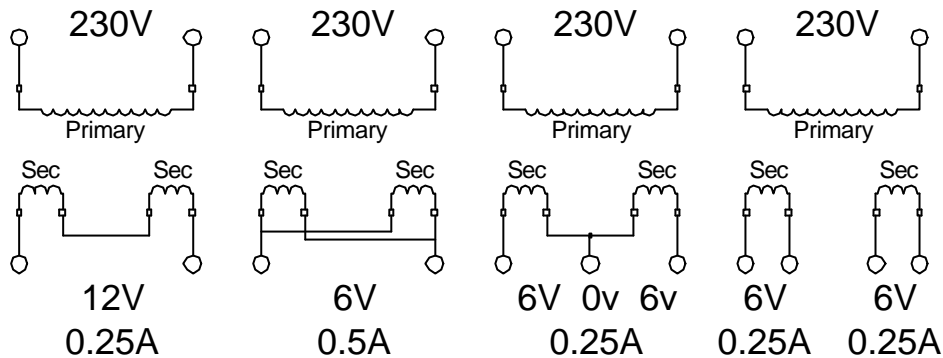
Issue 1. 13/05/03

4 of 4

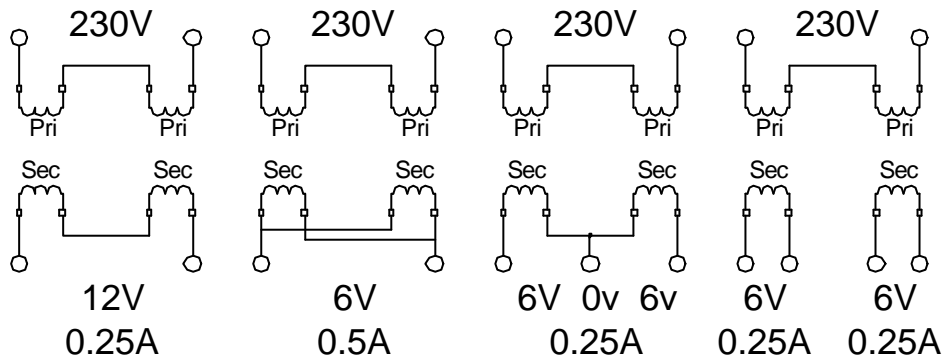
PRODUCT DATASHEET

3VA PCB MOUNTED TRANSFORMER

Connection Diagrams for D3000



Connection Diagrams for D3004 - 230V supply



Connection Diagrams for D3004 - 115V supply

