


## PRODUCT DATASHEET

### 2.3VA PCB MOUNTED ENCAPSULATED TRANSFORMER



- Independently Approved to  
**EN60950 EN60742 EN61558**  
**UL506 cUL506 & CSA 22.2**
- Inherently Short circuit proof
- CE Marked
- Single 230V
- Comprehensive choice of secondary voltages
- UL94-V0 Vacuum Encapsulated Construction
- Suitable for flow soldering

Weight	0.095	Kg	
Typical Regulation	40	%	
Frequency	50/60	Hz	
Max Ambient	40	°C	
Bobbin Material	UL94-V0 Class "B" 130°C		

Please see sheet 2 for part numbers



# DAGNALL ELECTRONICS LIMITED

Shuttleworth Road, Elms Industrial Estate, Bedford. MK41 0EP UK  
TEL +44(0)1234 330077 FAX +44(0)1234 330088  
E-mail sales@dagnall-electronics.com

Iss 1 09/01/03  
2 of 3

## Part Numbers

Part No	Primary	Secondary	Secondary Fuse
D2017	230	6+6	Not Required, Inherently Short-Circuit Proof Design.
D2018	230	8+8	
D2019	230	9+9	
D2020	230	12+12	
D2021	230	15+15	
D2022	230	24+24	

Please see sheet 3 for dimensions, pin outs and connection information.

# DAGNALL ELECTRONICS LIMITED

Shuttleworth Road, Elms Industrial Estate, Bedford. MK41 0EP UK

TEL +44(0)1234 330077 FAX +44(0)1234 330088

E-mail sales@dagnall-electronics.com

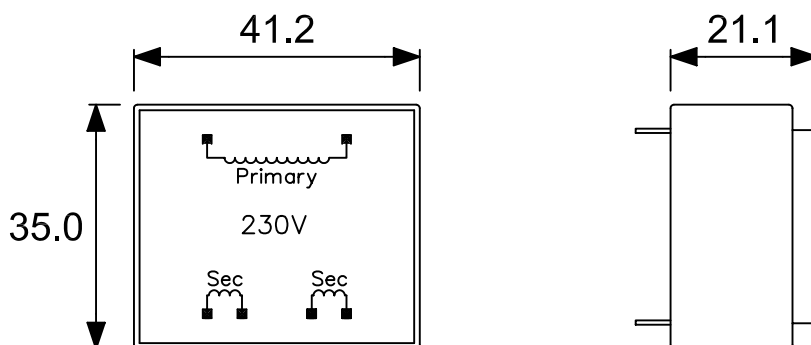
Issue 1. 09/01/03

3 of 3

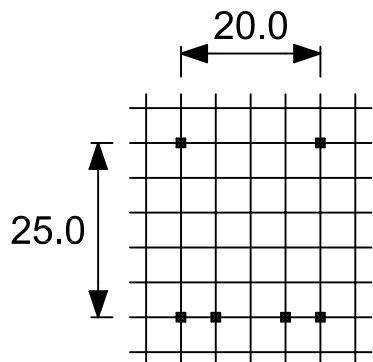
## PRODUCT DATASHEET

### 2.3VA PCB MOUNTED ENCAPSULATED TRANSFORMER

#### Outline Drawing



#### Pin Grid



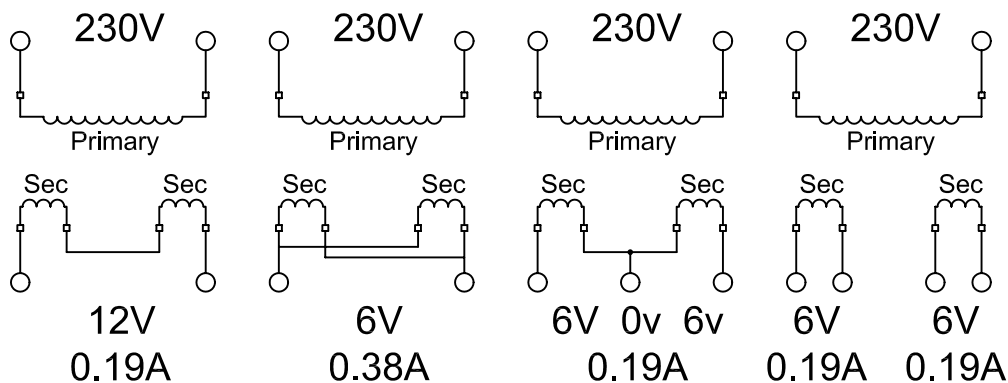
PCB Pins 0.635mm Sq

Pin length 3.0mm

Hole size 1.0mm

5mm pin grid

#### Connection Diagrams for D2017



THIS DOCUMENT IS THE PROPERTY OF DAGNALL ELECTRONICS LIMITED WHICH HOLDS THE COPYRIGHT IN THE DRAWING AND ALL THE DESIGN RIGHTS IN THE PRODUCT OR COMPONENTS DESCRIBED. ANY INFORMATION SHALL NOT BE COPIED, REPRODUCED OR DIVULGED TO A THIRD PARTY NOR SHALL THE PRODUCT OR COMPONENTS BE MADE, COPIED OR REPRODUCED OR ITS EXISTENCE DISCLOSED TO A THIRD PARTY WITHOUT THE PRIOR CONSENT IN WRITING OF DAGNALL ELECTRONICS LIMITED. IN THE INTREST OF TECHNICAL IMPROVEMENT AND/OR CUSTOMER SERVICE DAGNALL ELECTRONICS RESERVES THE RIGHT TO INTRODUCE MODIFIED SPECIFICATIONS TO ANY OF THE PRODUCTS ILLUSTRATED OR DESCRIBED IN THIS DATASHEET. E&OE