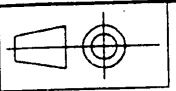


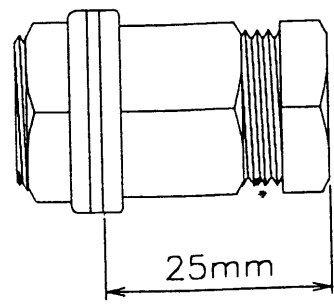
143-608-

1 | 2 | 3 | 4 | 5 | 6 | 7

A
B
C
D
E
F
G
H



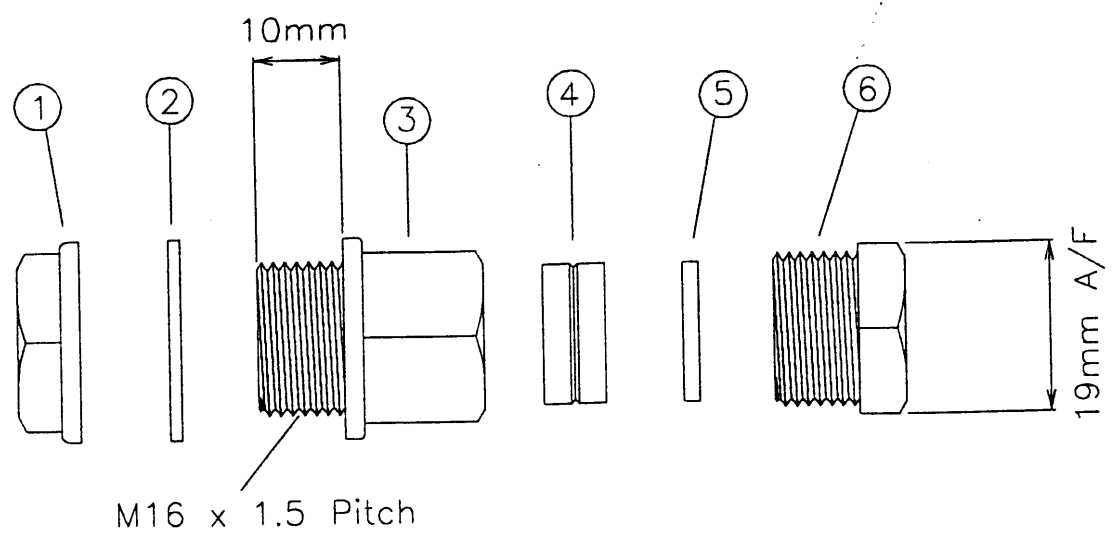
ASSEMBLED
GLAND



To accomodate
cable diameters
7.0 - 10.5mm

25mm

Uncompressed Length



M16 x 1.5 Pitch

1	46B Bush	6	NYLON 6.6	BLACK	
1	88 Skid Washer	5	NYLON 6.6	WHITE	
1	376 Compression Bush	4	NITRILE RUBBER	BLACK	
1	450 Base	3	NYLON 6.6	BLACK	
1	96 Sealing Washer	2	NYLON 6	WHITE	
1	92B Locknut	1	NYLON 6.6	BLACK	

NUMBER	PART NAME	ITEM NO.	MATERIAL	DIMENSIONS MM.	REMARK
	Cable Gland		N/A		
PROJECT	TOLERANCE		SCALE	SAMPLING PROCEDURE	
TITLE	OVER / TO = +/-		N.T.S.	DRAFTED	DATE
PRODUCT CODE	0.00 / 5.00 = 0.05		 ELKAY ELECTRICAL	DRAWN	25:8:92
250/92/96-B	5.00/15.00 = 0.10			CHECKED	APPROVED
	15.00/25.00 = 0.15			S. E. Williams	
	25.00/50.00 = 0.20			DRAWING NO.	REV.
	50.00/100.00 = 0.25			000321	0

REVISION RECORD